

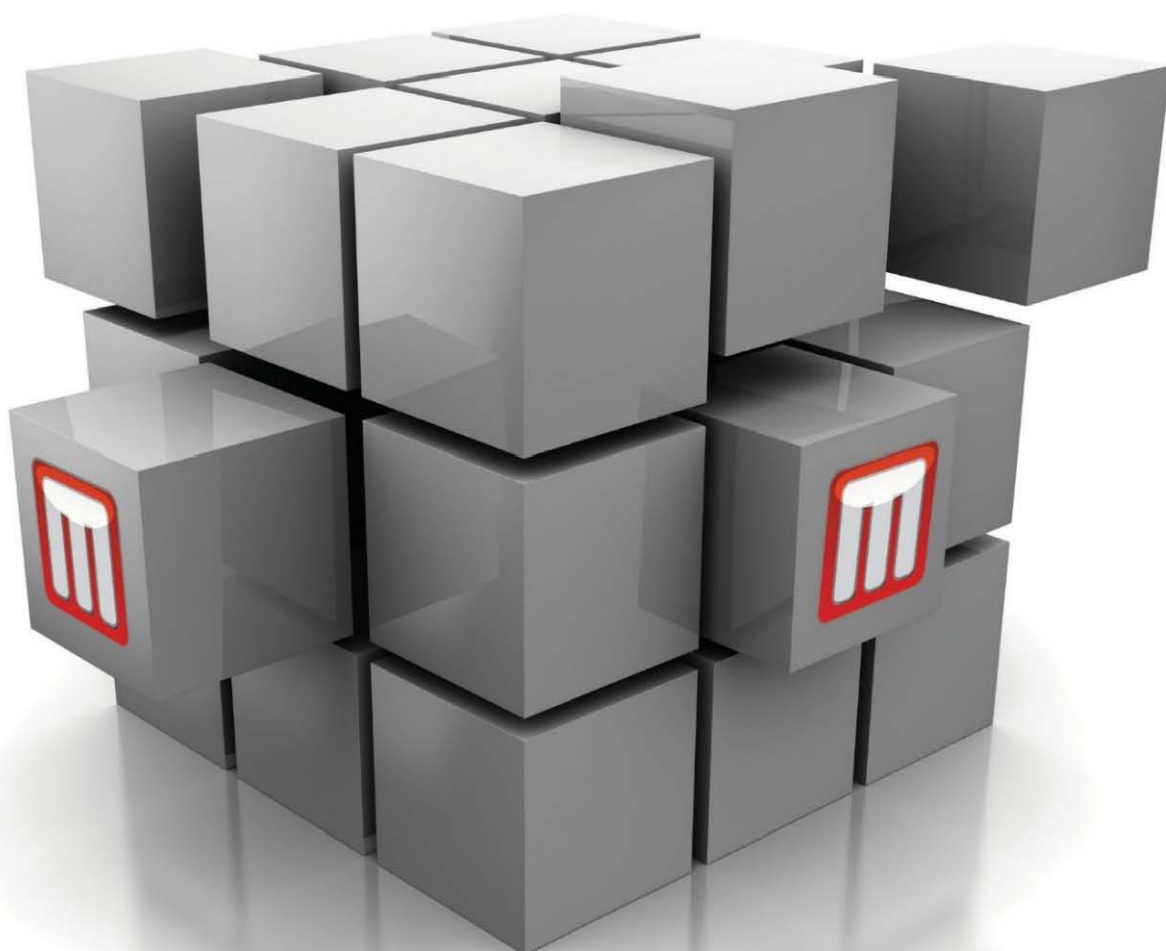
TECNO**M**ais

LANDWORKERS

CATALOGO RICAMBI
SPARE PARTS

TESTATA MAIS FISSA
FIXED CORN HEADER

Modello: **TMRP4**



REV.01
TM.11.21

COME USARE IL CATALOGO RICAMBI TECNOM AIS
HOW TO USE TECNOM AIS SPARE PARTS CATALOGUE
COMMENT UTILISER LES CATALOGUES PICES TECNOM AIS
GEBRAUCHSANWEISUNGEN VOM TECNOM AIS ERSATZTEILKATALOG

POS	CODE	Q.TY	DESCRIPTION
Numero di Posizione	Codice ricambio	Quantità di pezzi	Identificazione UNI
ID number	Spare part code	Quantity of spare parts	UNI identification
Nombre de identification	Code de Rechange	Quantite de Parts	Identification Uni
ID Nummer	Ersatzteilkode	Ersatzteilequantität	UNI-Angabe

- Per ragioni di semplificazioni il catalogo è stato creato senza testo indicando le UNI.**
 La colonna della quantità indica quante volte tale ricambio si ripete all'interno dell'esploso.
- For the sake of simplicity the spare parts catalogue contains only UNI identifications.**
 The section of quantity shows the repetition of that spare part in the table.
- Pour raisons de simplifications le catalogue a été créé sans texte en indiquant les UNI.**
 La colonne de la quantité indique combien de même rechange se répète à l'intérieur de l'explo
- Zwecks der Verständlichkeit erscheint der Ersatzteilkatalog nur mit UNI-Angaben.**
 Der Abschnitt der Quantität beinhaltet die Häufigkeit solches Ersatzteiles in der Tafel.

DENOMINAZIONE				
Reg. 70 cm	Distanza File 70 cm	70cm Row width	Distance entre elements 70cm	70 cm Reihenabstand
8 File	Numero di file 8	8 rows	Nombre de lignes 8	8 Reihe
RX	Destro	Right	Arbre	Rechts
LX	Sinistro	Left	Droit	Links
CX	Centrale	Central	Central	Zentral
Lat.	Laterale	Lateral	Lateral	Seitlich
Rib.	Ribaltabile	Folding	Repliable	Klappbar
Fis.	Fisso	Fix	fix	Starr
L.E.	Lame Elettriche	Electric blades	Lames électriques	Elektrische Messer
Maschio	Maschio	Male	Male	Feder
Femmina	Femmina	Female	Female	Nut
8X70	8 Numero di file x 70 Distanza File	8 rows x 70 Row width	8 Nombre de lignes x 70 Distance entre elements	8 Reihe x 70 cm Reihenabstand
ANT.	Anteriore	Front	De face	Vorderseite
POST.	Posteriore	Rear	Arrière	Rückseite

TAB.01 –
TELAIO
FRAME
CHASSIS

TAB.02 –
COCLEA
AUGER
VIS

TAB.03 –
IMPIANTO DI RIPIEGAMENTO
FOLDING SYSTEM
SYSTEME PLIAGE/DEPLIAGE

TAB.04 –
RULLI AD ALETTE
MILKING ROLLERS
ROULEAUX ENGRENAGES

TAB.05 –
RULLI A LAME
BLADES ROLLERS
ROULEAUX A LAMES

TAB.06 -
GRUPPO RACCOGLITORE
HARVESTING UNIT
ELEMENT DE RECOLTE

TAB.07 –
GUIDA CATENE
CHAIN GUIDE
GUAÏ CASENA

TAB.08
SCATOLA INGRANAGGI
GEARS BOX
BOITIER ENGRENAGES

TAB.09
TRINCIASTOCCHI
STALK CHOPPER
BROYEUR

TAB.10 –
TRASMISSIONE GRUPPI
ELEMENT TRANSMISSION
TRANSMISSION GROUPE

TAB.11 –
COMANDO LAME ELETTRICHE
ELECTRICBLADE CONTROL COUPEAU
DE COMMANDE ELECTRIQUE

TAB.12 –
COMANDO LAME IDRAULICHE
HYDRAULIC CONTROL
COMMANDE PLAQUES HYDRAULIQUE

TAB.13A –
COFANATURA 6 FILE
COVERS 6 ROWS
CAPOTS 6 RANGS

TAB.13B -
COFANATURA 8 FILE
COVERS 8 ROWS
CAPOTS 8 RANGS

TAB.14 –
BILANCIERE COFANI RIBALTABILI
FOLDABLE COVER BALANCE BEAM
BALANCIER CAPOTS RABATTABLES

TAB.15 –
POMPA COCLEA CONICA
PUMP WORMSCREW
POMP VIS

TAB.16 –
TRASMISSIONE EST.
TRANSMISSION
TRANSMISSION

TAB.17 –
TRASMISSIONE INT.
TRANSMISSION
TRANSMISSION

TAB.18 –
DIVISORI ROTATIVI LATERALI
LATERAL ROTARY DIVISORS
DIVISEURS LATERALES ROTATIFS

TAB.19 –
COCLEE CONICHE
LATERAL CONICAL AUGERS
TARIÈRES CONIQUES LATÉRALES

INDICE

TAB.20 –
KIT ATTACCO
CONNECTION
ATTELAGE

TAB.21 –
CARDANI
CARDAN JOINT
CARDANS TRANSMISSION

TAB.22 –
CARDANI
CARDAN JOINT
CARDANS TRANSMISSION

TAB.23 -
SCHIACCIASTOCCHI
STULK CRUSHER
ECRASE TIGES

TAB.24 –
KIT GIRASOLE
SUNFLOWER KIT
KIT TOURNESOL

TAB.25 –
VCAVO INDICATORE LAME
PLATES INDICATOR CABLES
CAVE INDICATEUR PLAQUES

ISTRUZIONI PER ORDINARE I RICAMBI

sono aggiornati alla data di uscita della pubblicazione. E' nostro obiettivo migliorare costantemente le macchine e quindi i numeri di ordinazione e le illustrazioni possono non essere più attuali.

INSTRUCTIONS POUR COMMANDER LES PIÈCES DE RECHANGE

Les numéros de commande qui se trouvent sur ce catalogue ont ajustés à la date de publication. Notre objectif est d'améliorer toujours les machines et donc les numéros de commande et les images ne peuvent pas être actuelles.

Au moment de commander les pièces de rechange vérifier les numéros de commande dans Votre Concessionnaire qui est fournie du bordereau générale des actuelles pièces de rechange.

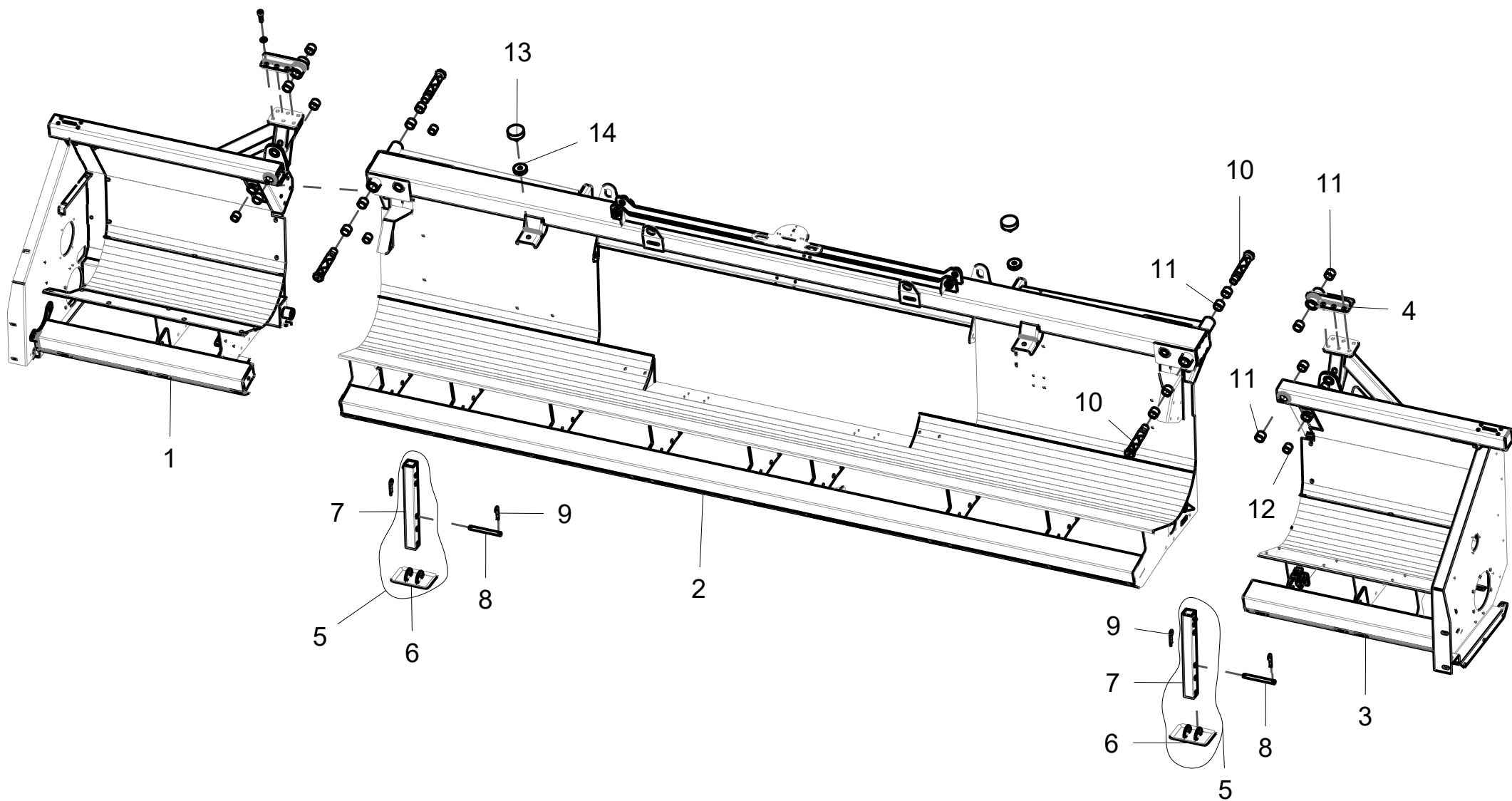
INSTRUCTIONS FOR ORDERING PARTS

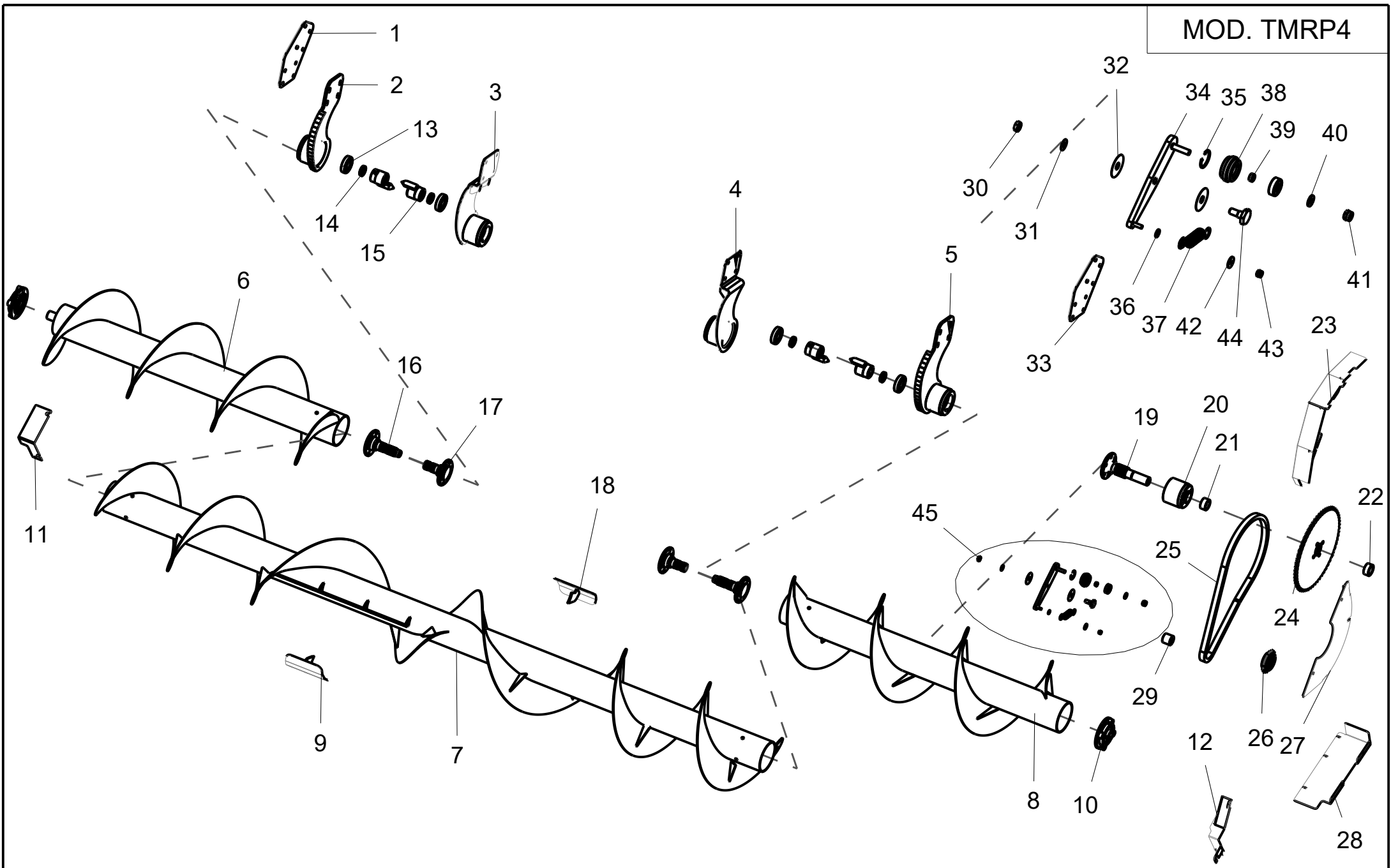
At the time this parts catalog was published the listed part numbers were current. It is our aim to constantly improve our machines and therefore, part numbers and design may change.

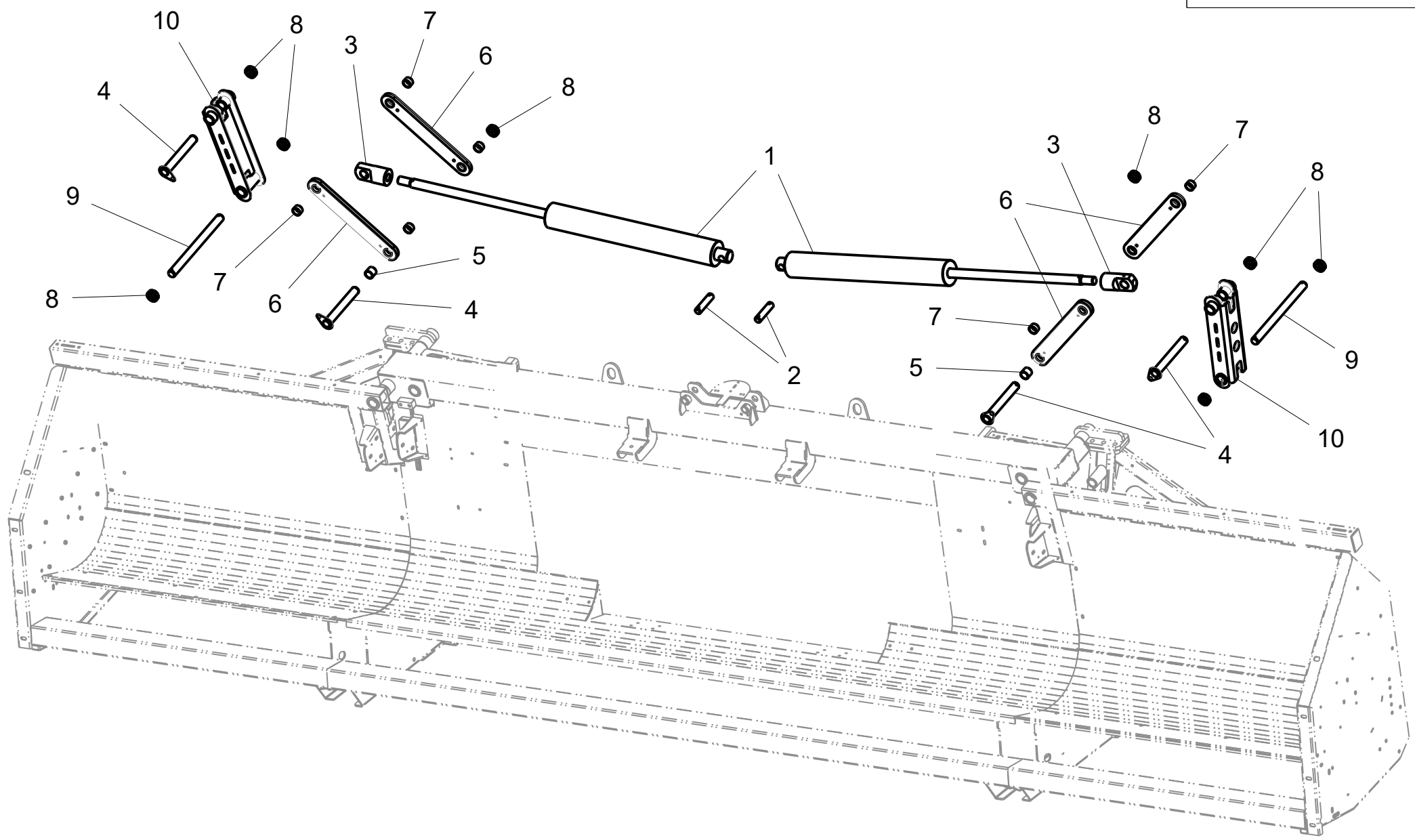
When ordering parts, verify part numbers through your dealer's master numerical index which are to date with all the latest part numbers.

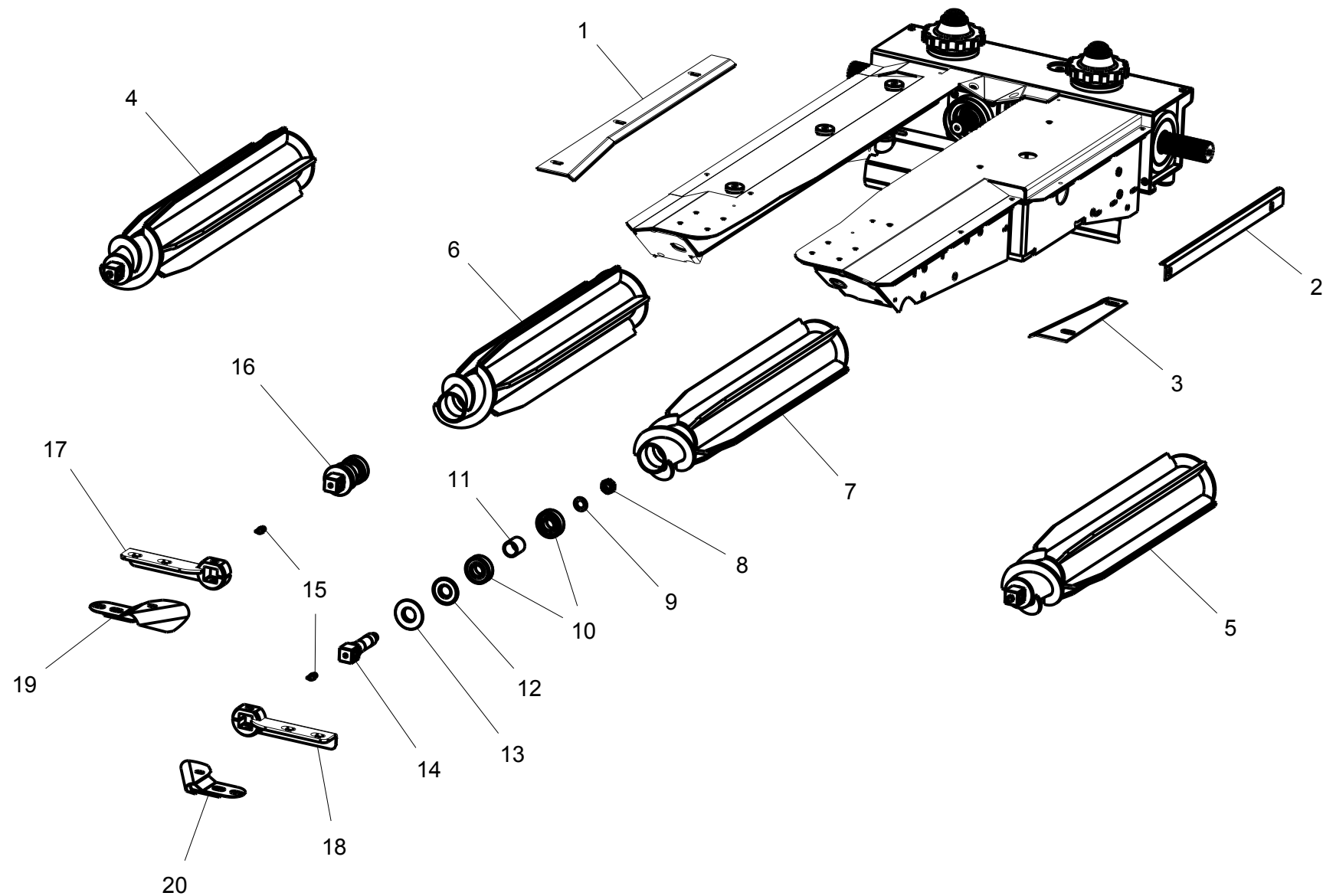
ИНСТРУКЦИИ ДЛЯ ЗАКАЗА ЗАПЧАСТЕЙ

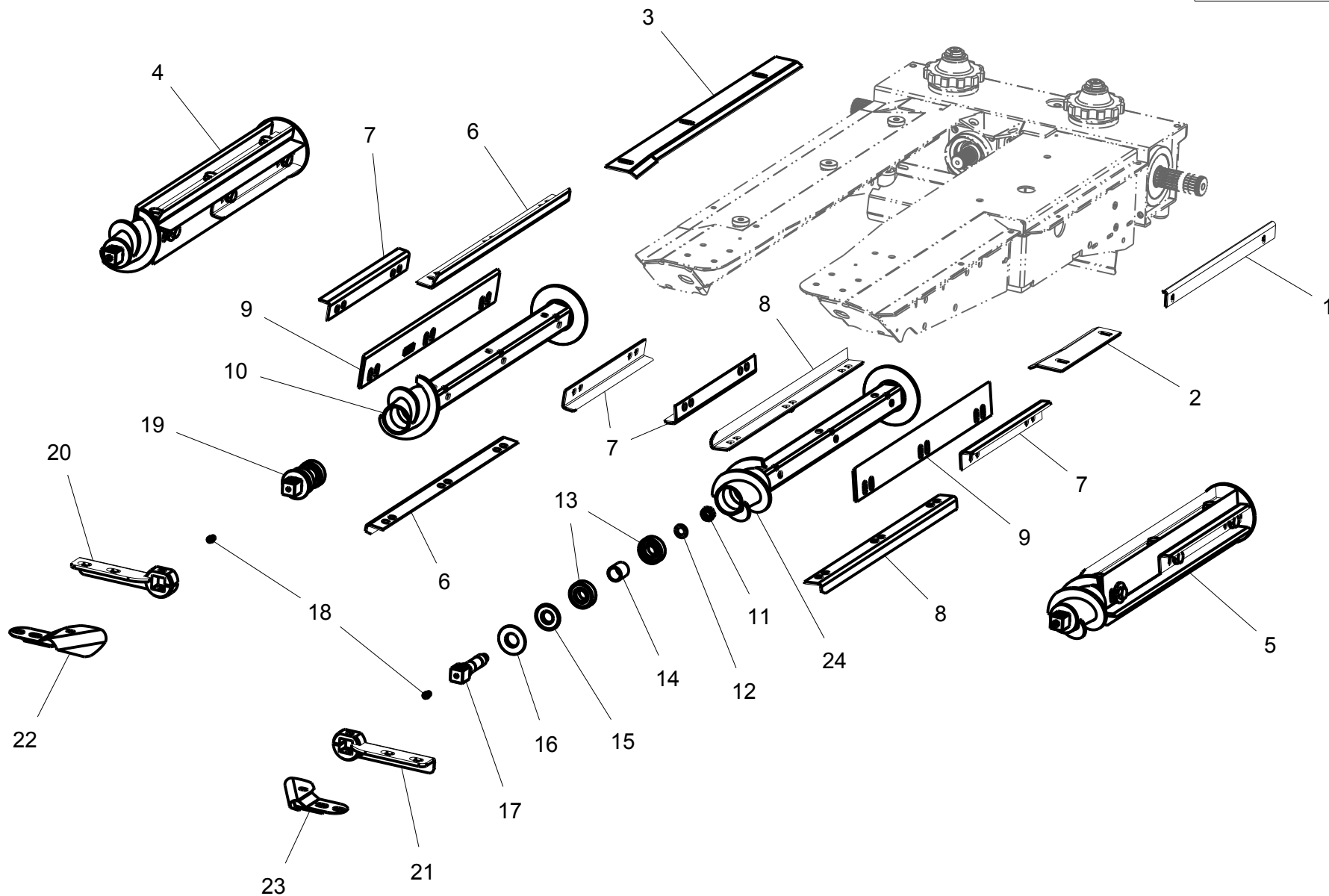
Номера заказов, указанные в данном каталоге были обновлены к моменту публикации. Нашей целью является постоянное совершенствование машин, и, следовательно, номера для заказов частей и иллюстрации могут быть устаревшими. При заказе запчастей следует проверить номера для заказов у Вашего продавца, у которого имеется обновленный общий каталог запчастей

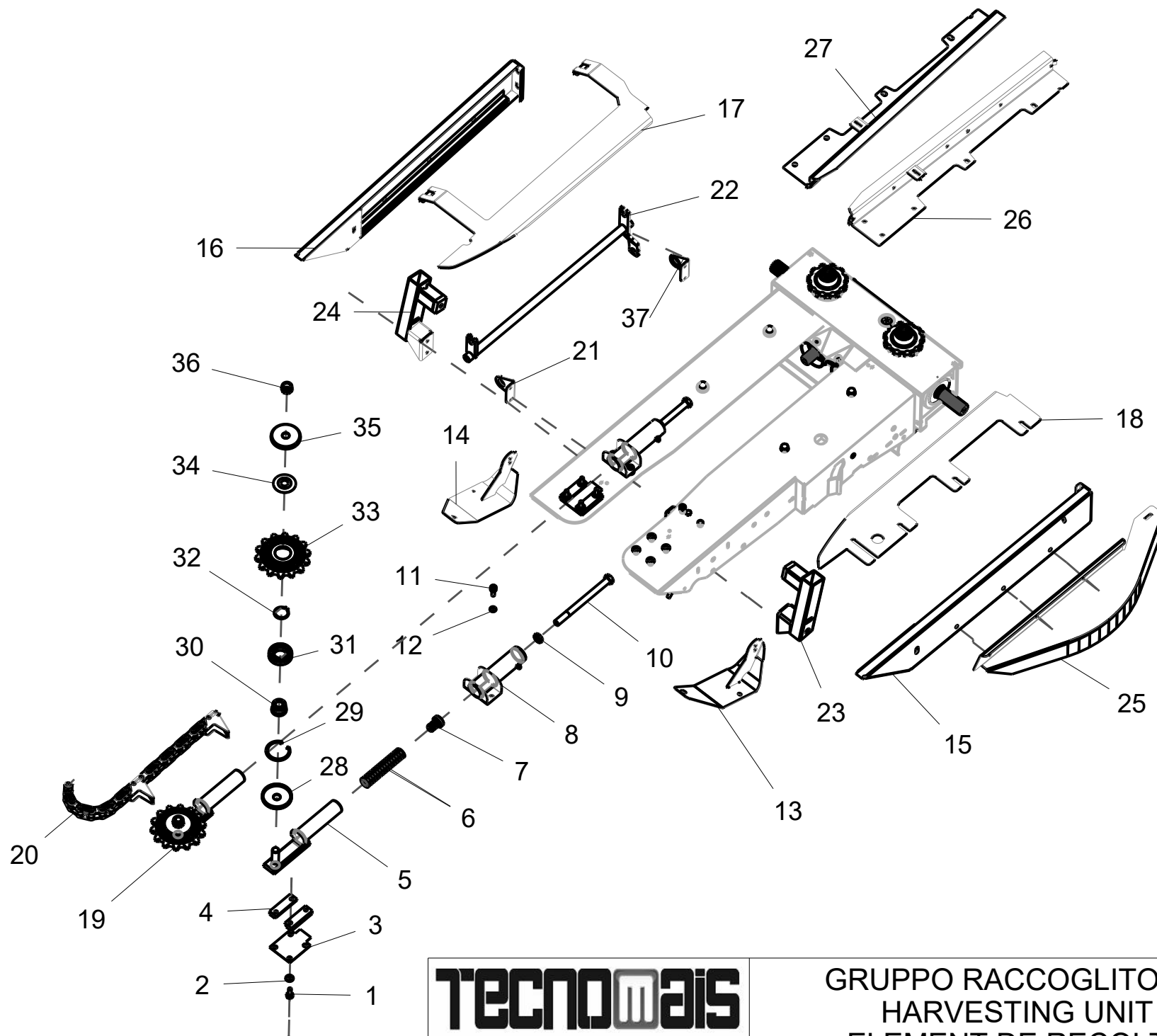




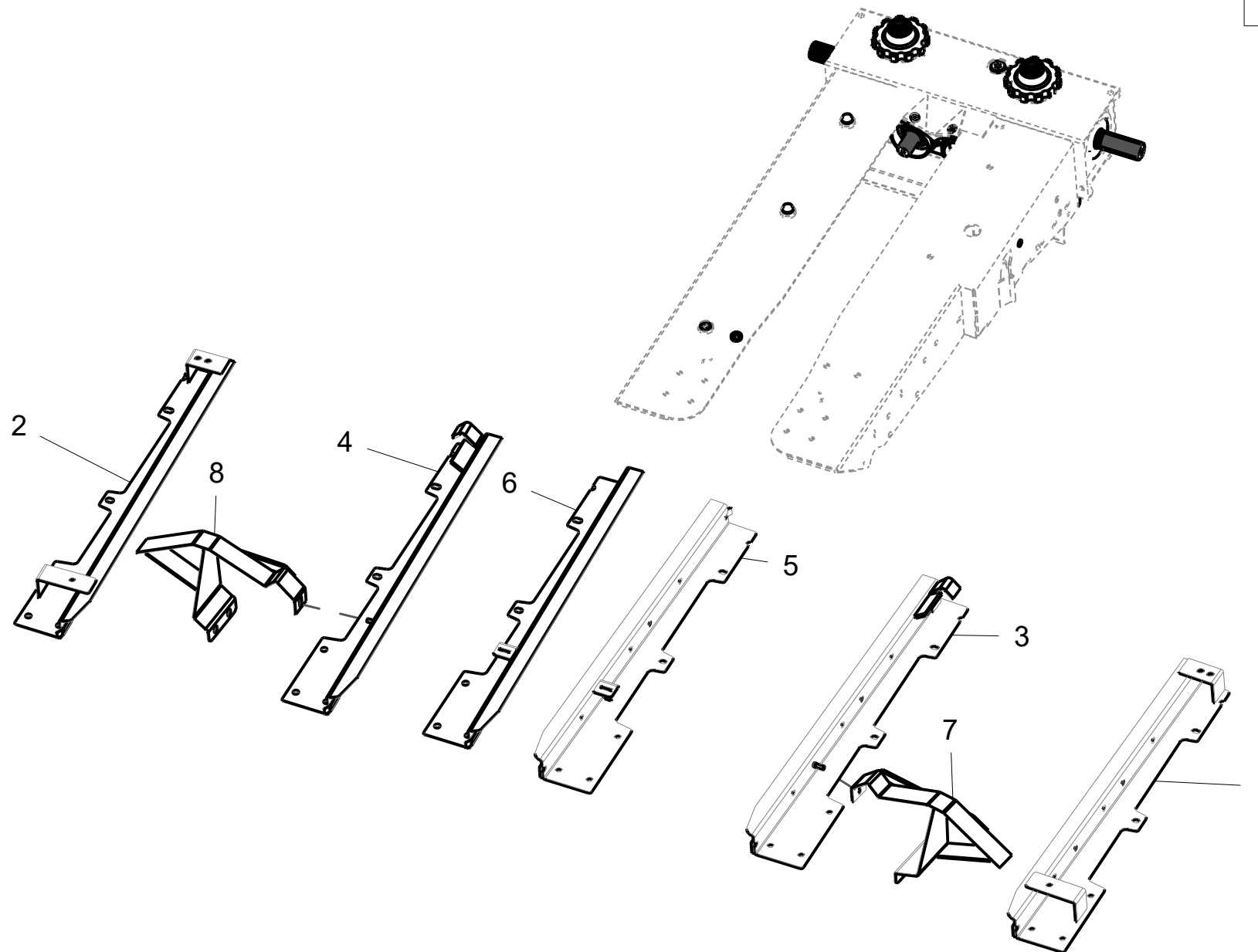






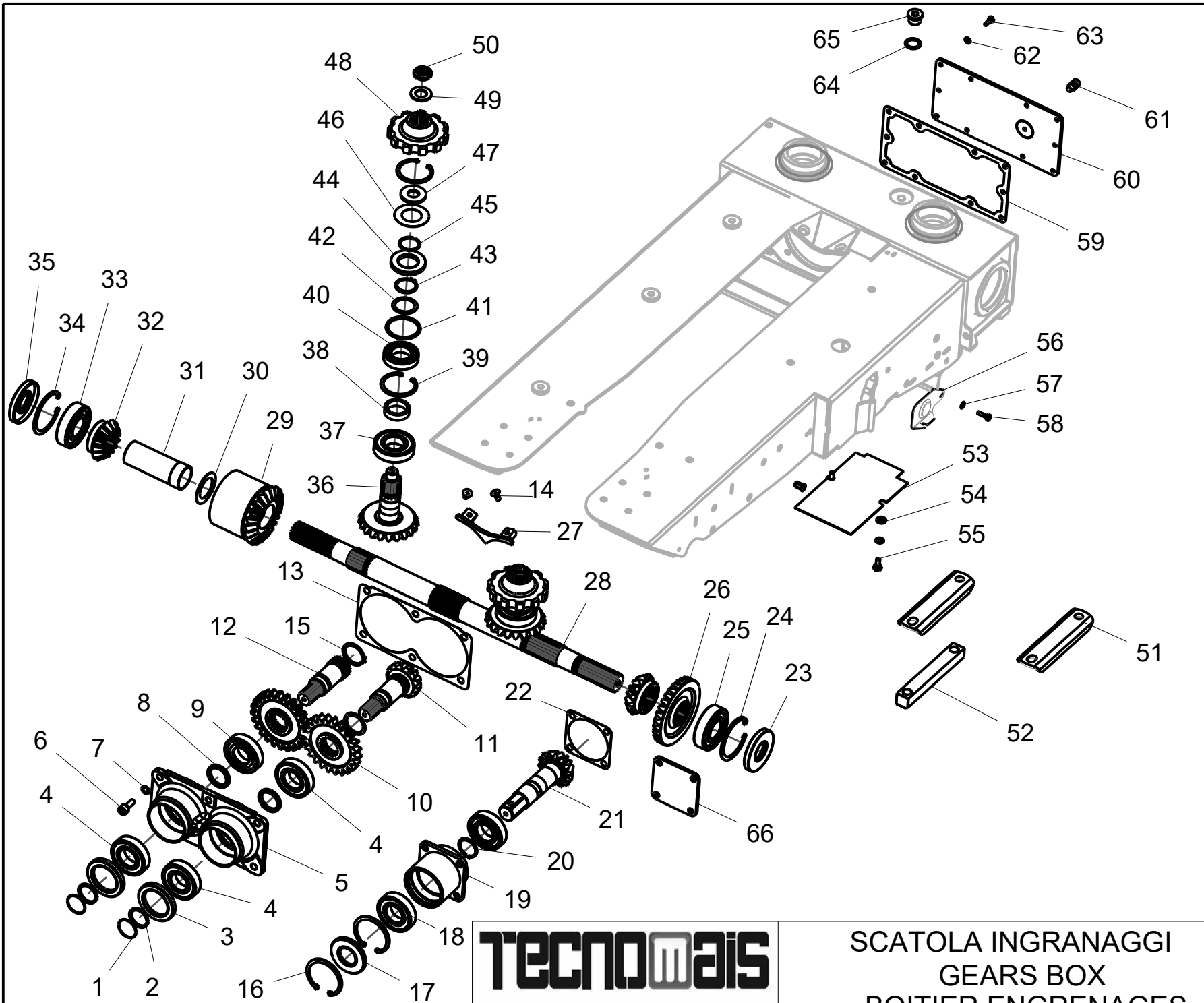


GRUPPO RACCOGLITORE
HARVESTING UNIT
ELEMENT DE RECOLTE



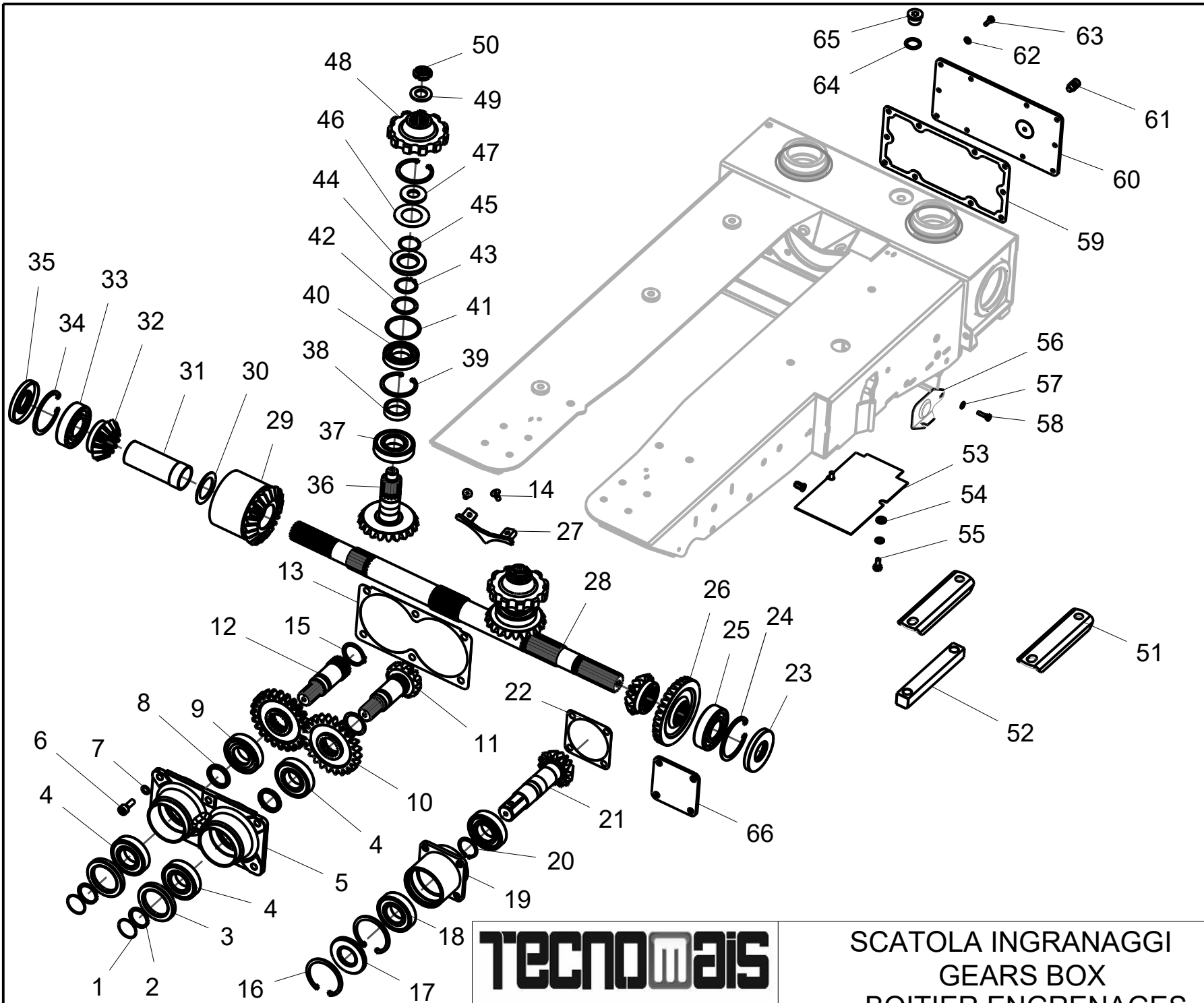
POS	CODE	Q.TY	DESCRIPTION
1	365000026		OR 2137 Ø34.65x1.78
2	302035020		Ø35 UNI 7436 S.P.
3	301055012		55-75-10
4	330035015		6207 2RS 35x72x17
5	261000177		
6	390010202		TCEI UNI5931 M10X25
7	375010071		
8	242000157		
9	330035084		NUP 207 EC (35-72-17)
10	238024014		
11	264413026		
12	201000356		
13	253000011		
14	390008101		TSEI 8x16 UNI 5933
15	302040043		Ø40 UNI 7436 S.P.
16	302072006		Ø72 UNI 7437
17	301035029		35-72-7
18	330035015		6207 2RS 35x72x17
19	261000168		
20	330035051		6207 35X72X17
21	264414021		
22	253105001		
23	301035031		35-80-10
24	302080010		UNI 7437 D=80
25	330035050		6307 (35x80x21)
26	235431009		

POS	CODE	Q.TY	DESCRIPTION
27	467000188		
28	201045208		
29	426000076		
30	242000139		
31	242000151		
32	264514011		
33	330035050		6307 (35x80x21)
34	302080010		UNI 7437 D=80
35	301035031		35-80-10
36	264521013		
37	330035015		6207 2RS 35x72x17
38	242013060		
39	302062005		
40	330035003		6007 2RS 35X62X14
41	242004057		
42	375035053		
43	302035003		
44	301035032		
45	303032007		
46	275061076		
47	275045077		
48	265011073		
49	375020072		UNI 6592 21X37
50	346020002		M30X1.5
51	263060001		
52	284000037		



TECNOmais
LANDWORKERS

SCATOLA INGRANAGGI
GEARS BOX
BOITIER ENGRENAGES

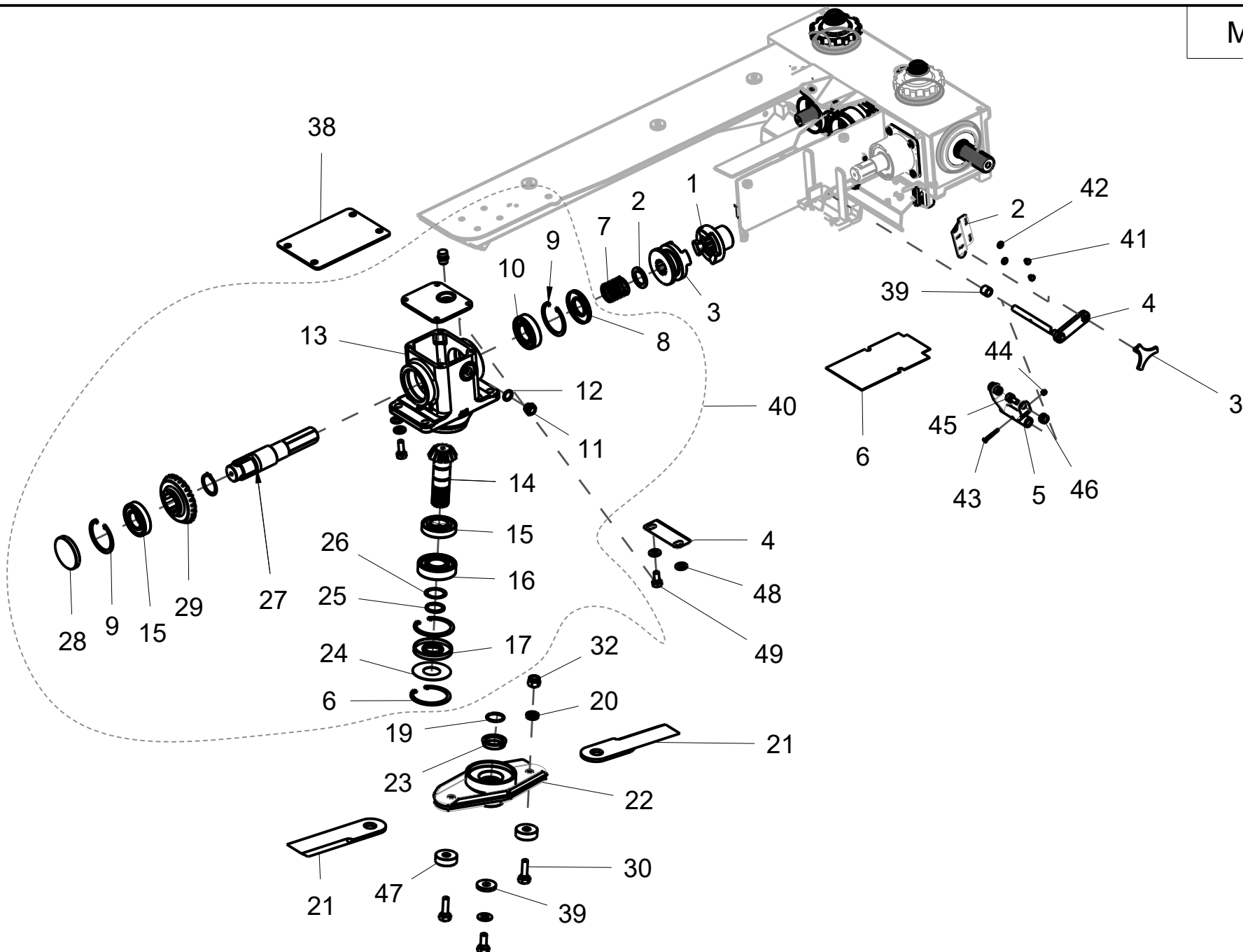


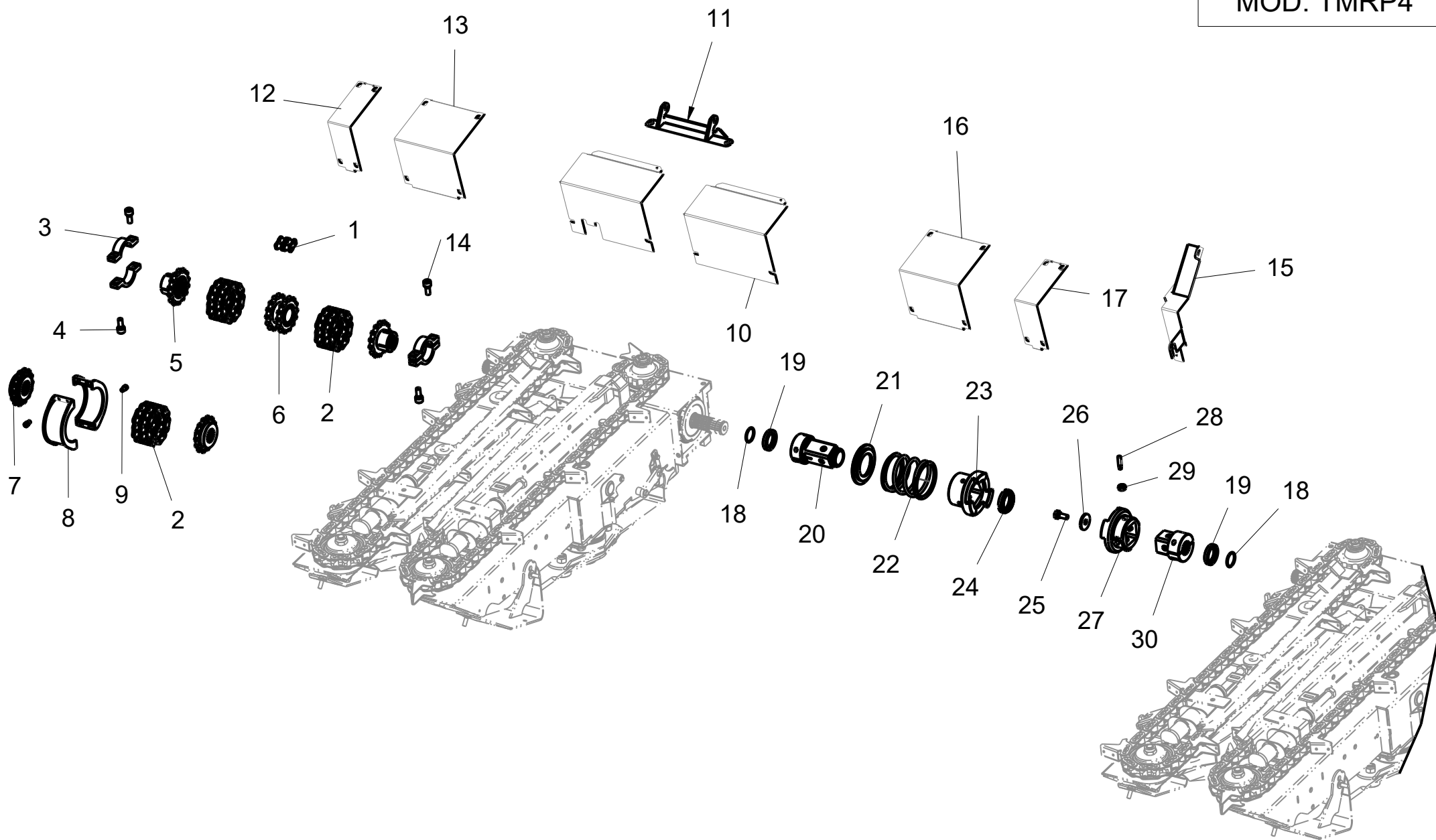
TECNOmais
LANDWORKERS

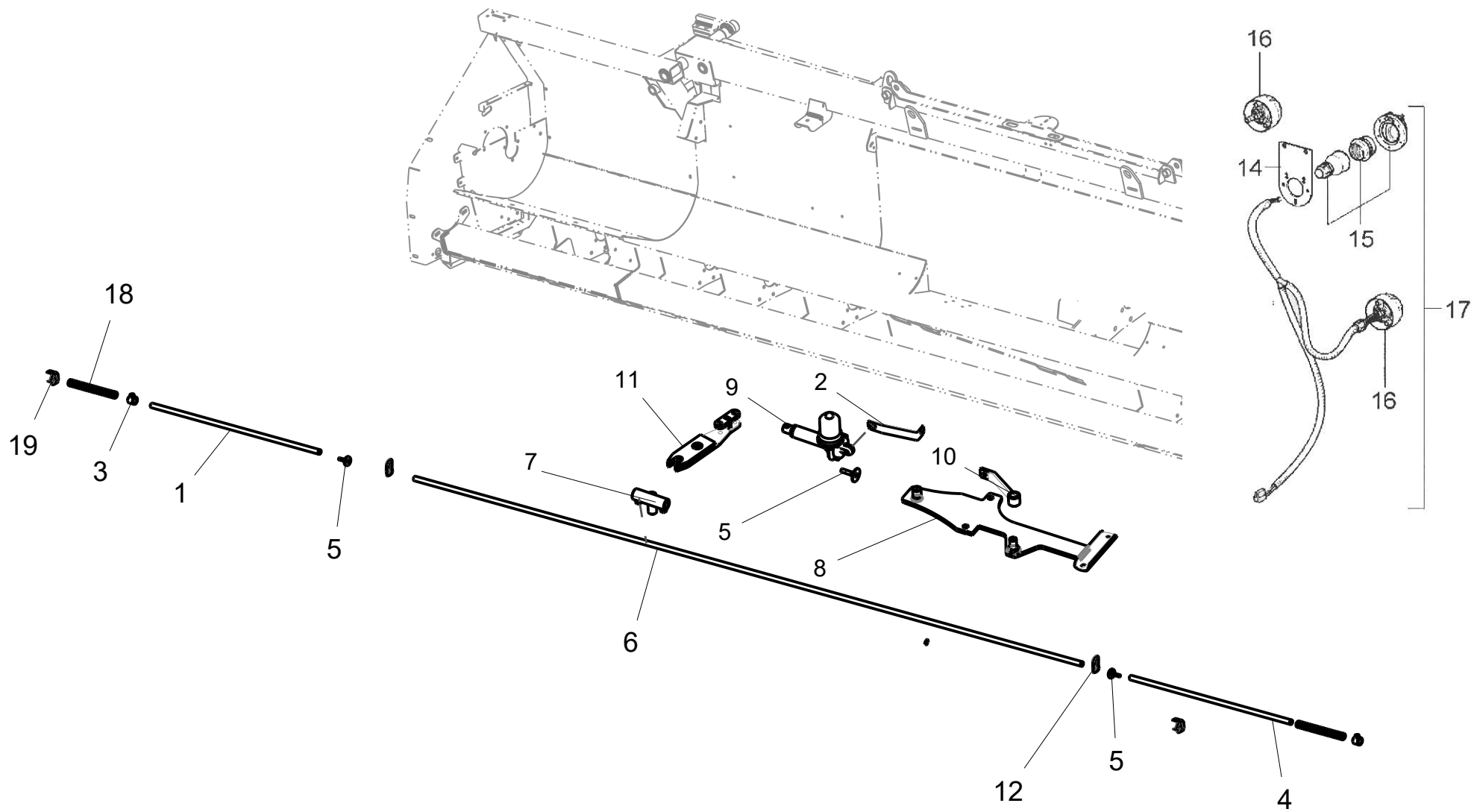
SCATOLA INGRANAGGI
GEARS BOX
BOITIER ENGRENAGES

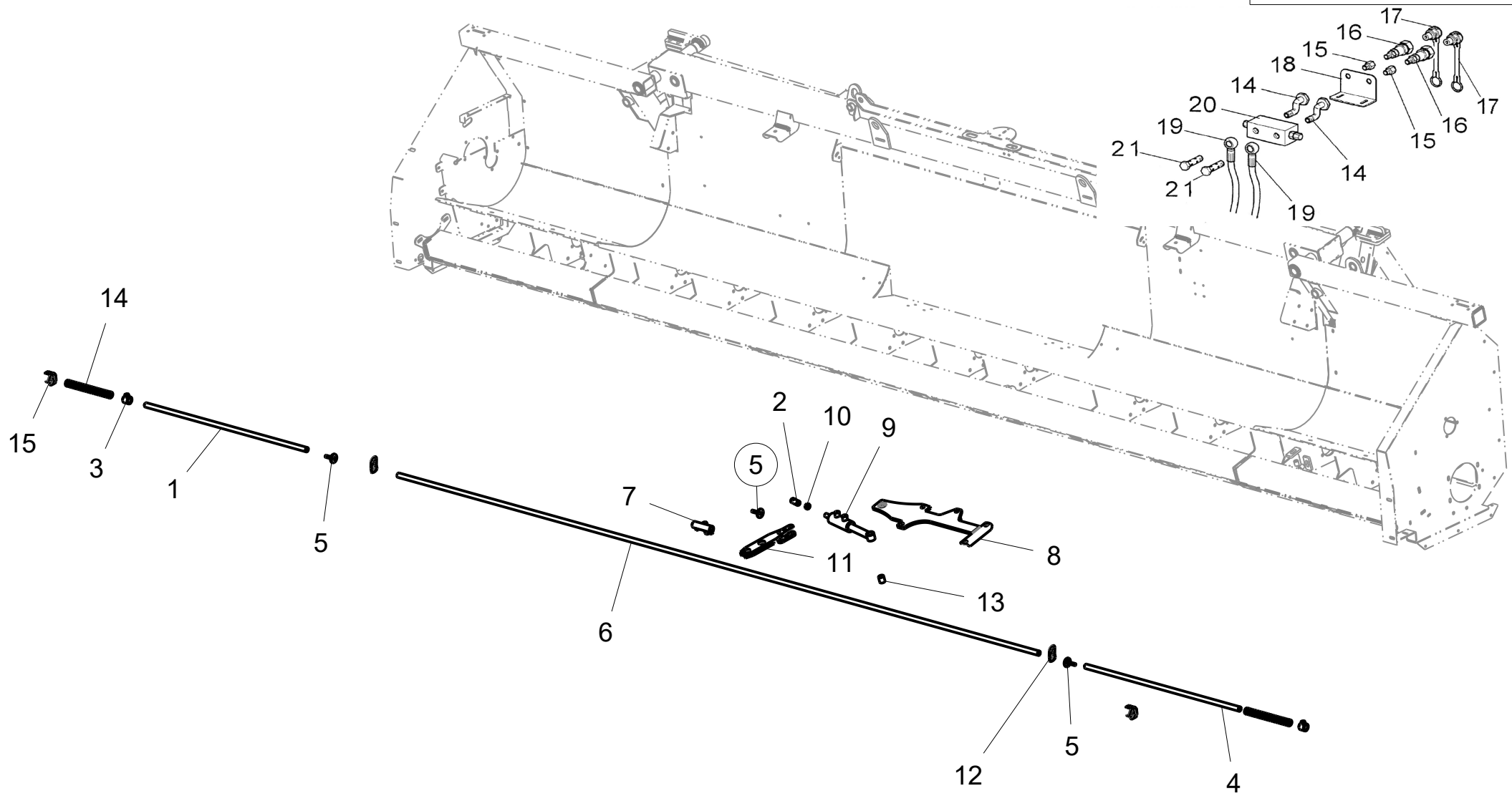
POS	CODE	Q.TY	DESCRIPTION
1	255003017		
2	256002245		
3	381000006		
4	445000036		
5	428000005		
6	237000016		
7	259060049		
8	301035013		35-72-10
9	302072006		I 72 UNI 7437
10	330035051		6207
11	385000016		
12	374038002		17x23 3/8
13	278000008		
14	264413009		
15	330035039		30207A
16	330035050		6307
17	301035031		35-80-10
18	302080010		I 80 UNI 7437
19	303032007		RW32
20	218006005		
21	271060030		
22	478000303		
23	210050086		
24	275080096		
25	302035003		E 35 UNI 7435
26	375035049		DIN988 35X45X2

POS	CODE	Q.TY	DESCRIPTION
27	201000309		
28	385000002		D.72X10
29	235427008		
30	375014064		14,5X40X6
31	390014323		PF CI 10.9 M14X1.5X40
32	336014073		DIN982 M14X1,5
33	237000020		
34	385000017		T 3/8
35	275045094		
36	255003025		
37	274000053		
38	237000017		
39	373000015		
40	378000030		
41	390006026		TE UNI 5739 M6X20
42	375006041		UNI 6592 6.4X12.5
43	390005244		TE UNI5737 M5X35
44	336005011		UNI 7473 M5
45	390010136		TCEI UNI5931 M10X20
46	336010020		UNI 7474 M10
47	234030007		
48	375012021		Ø12 UNI 6592 ZNT
49	390012147		TE UNI 5739 M12X30











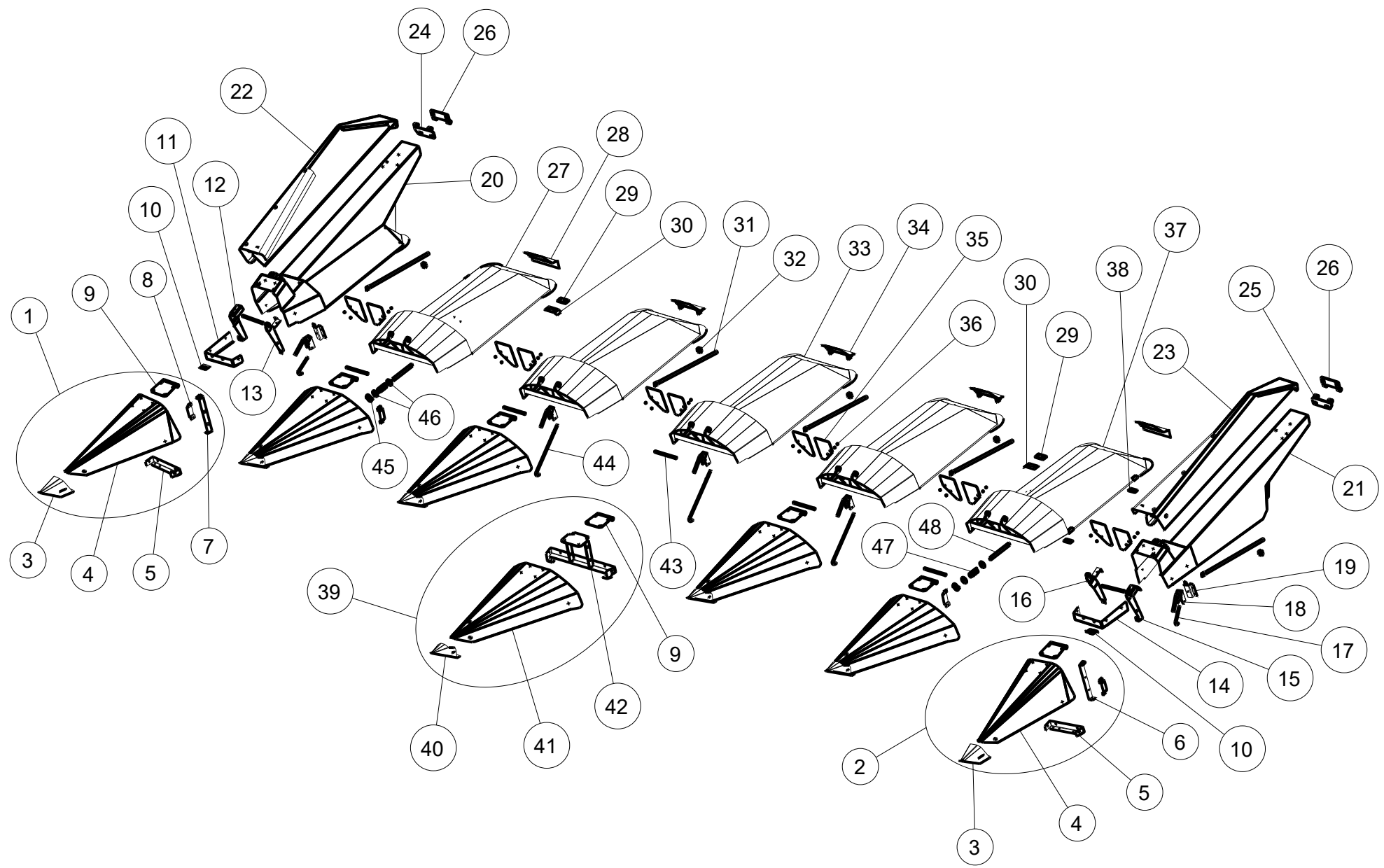
COFANATURA - COVERS - CAPOTS
6 FILE - 6 ROWS - 6 RANGS

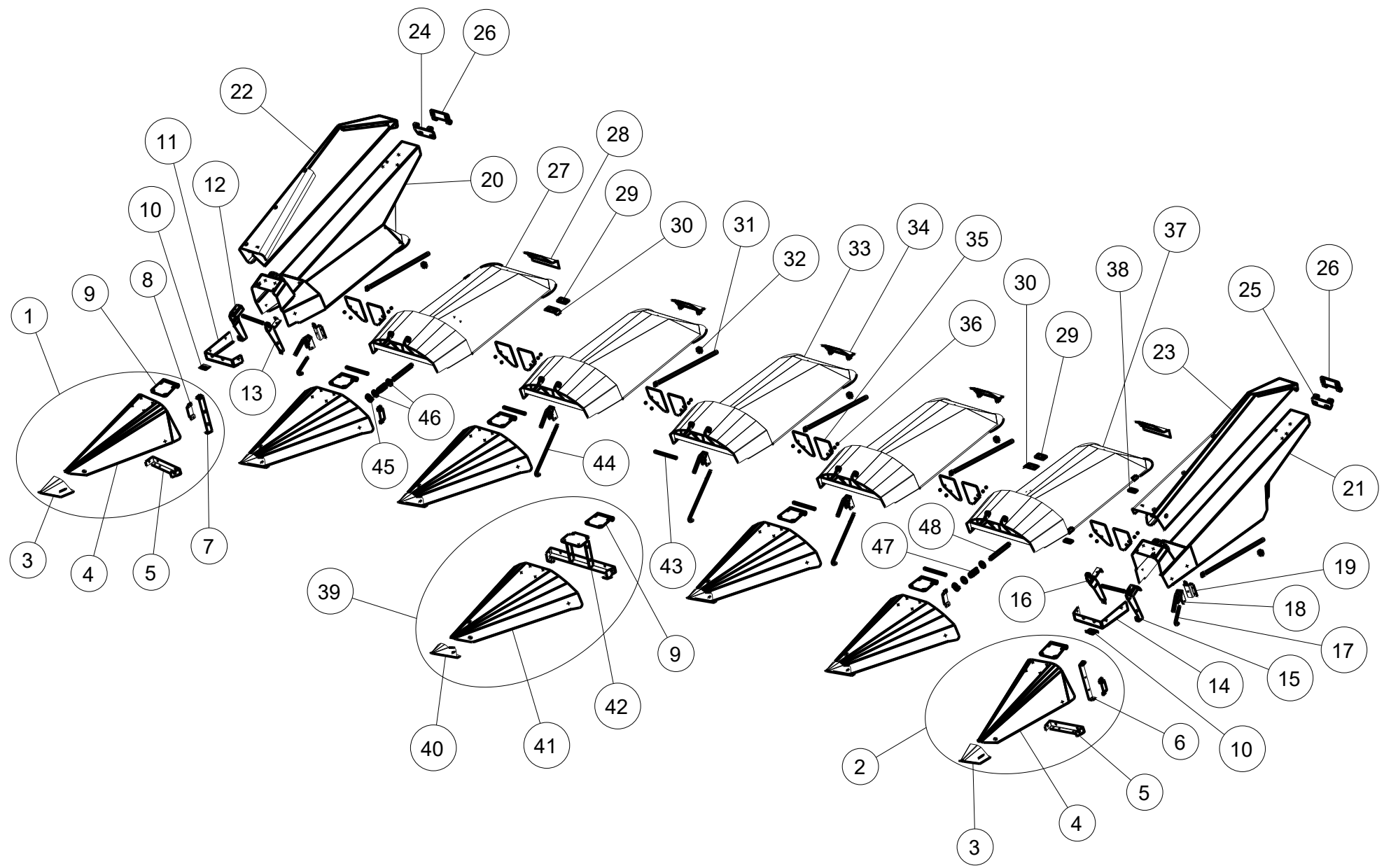
TMRP4

TAB.13A

POS	CODE	Q.TY	DESCRIPTION
1	466400094		RX
2	466400095		LX
3	476100059		
4	256005772		RX
5	256005773		
6	263035686		
7	263035685		
8	243000003		
9	478000345		
10	284000022		
11	256005771		RX
12	480000034		RX
13	480000031		RX
14	256005770		LX
15	480000032		LX
16	480000033		LX
17	251000005		
18	448500002		
19	256002834		
20	413000152		RX
21	413000153		LX
22	600100161		RX
23	600100162		LX
24	478000605		RX
25	478000605		LX
26	478000604		

POS	CODE	Q.TY	DESCRIPTION
27	413000127		60
27	413000086		70
27	413000096		75
27	413000125		80
28	256006381		70-75-80
29	463800043		
30	284000005A		
31	248016028		
32	339020002		
33	413000126		60
33	413000088		70
33	413000098		7
33	413000123		80
34	480000083		60
34	480000038		70-75-80
35	296125006		
36	210008108		
37	413000128		60
37	413000087		70
37	413000097		75
37	413000124		80
38	263001260		
39	466400078		60
39	466400038		70
39	466400042		75
39	466400074		80







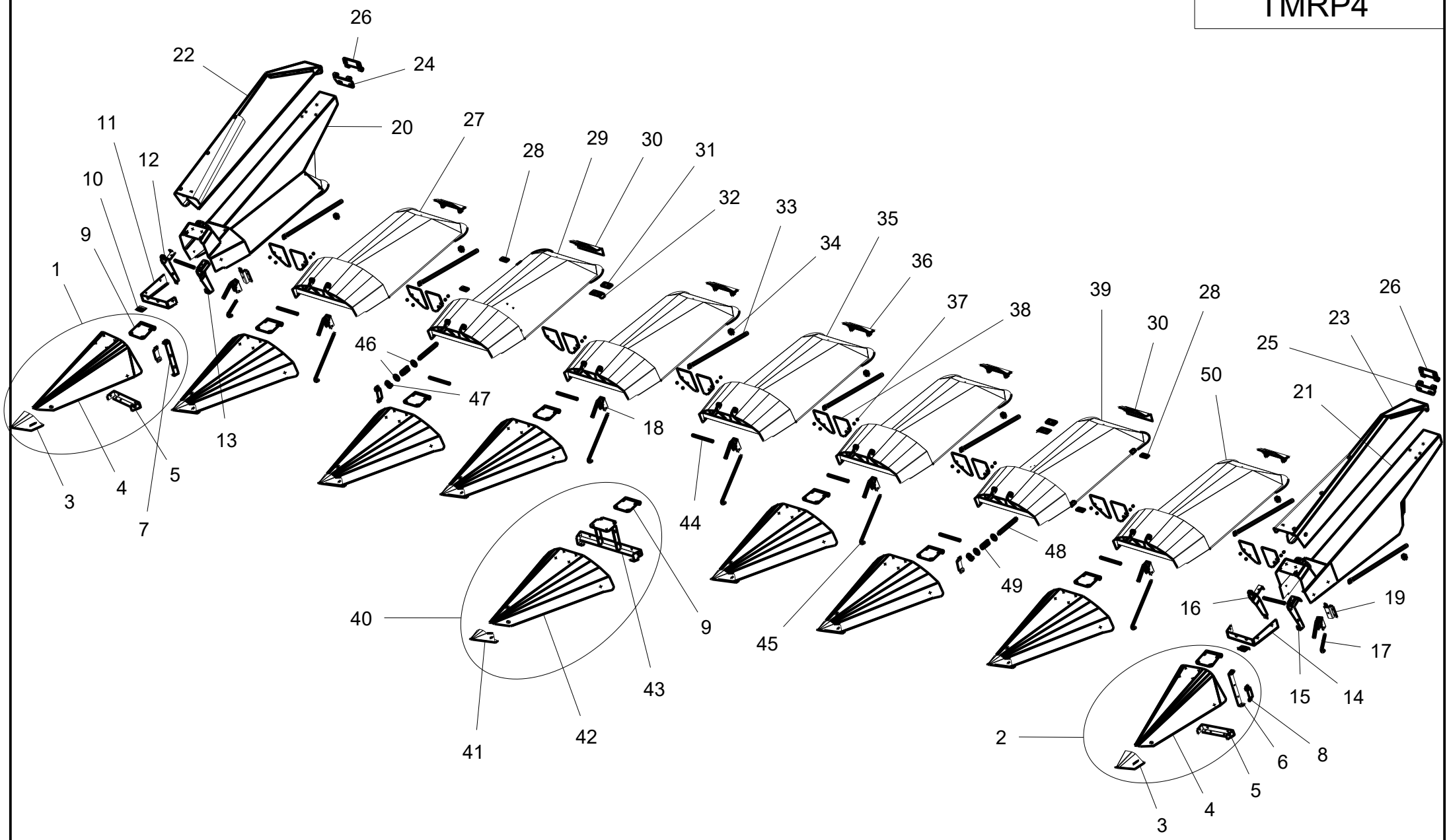
COFANATURA - COVERS - CAPOTS
8 FILE - 8 ROWS - 8 RANGS

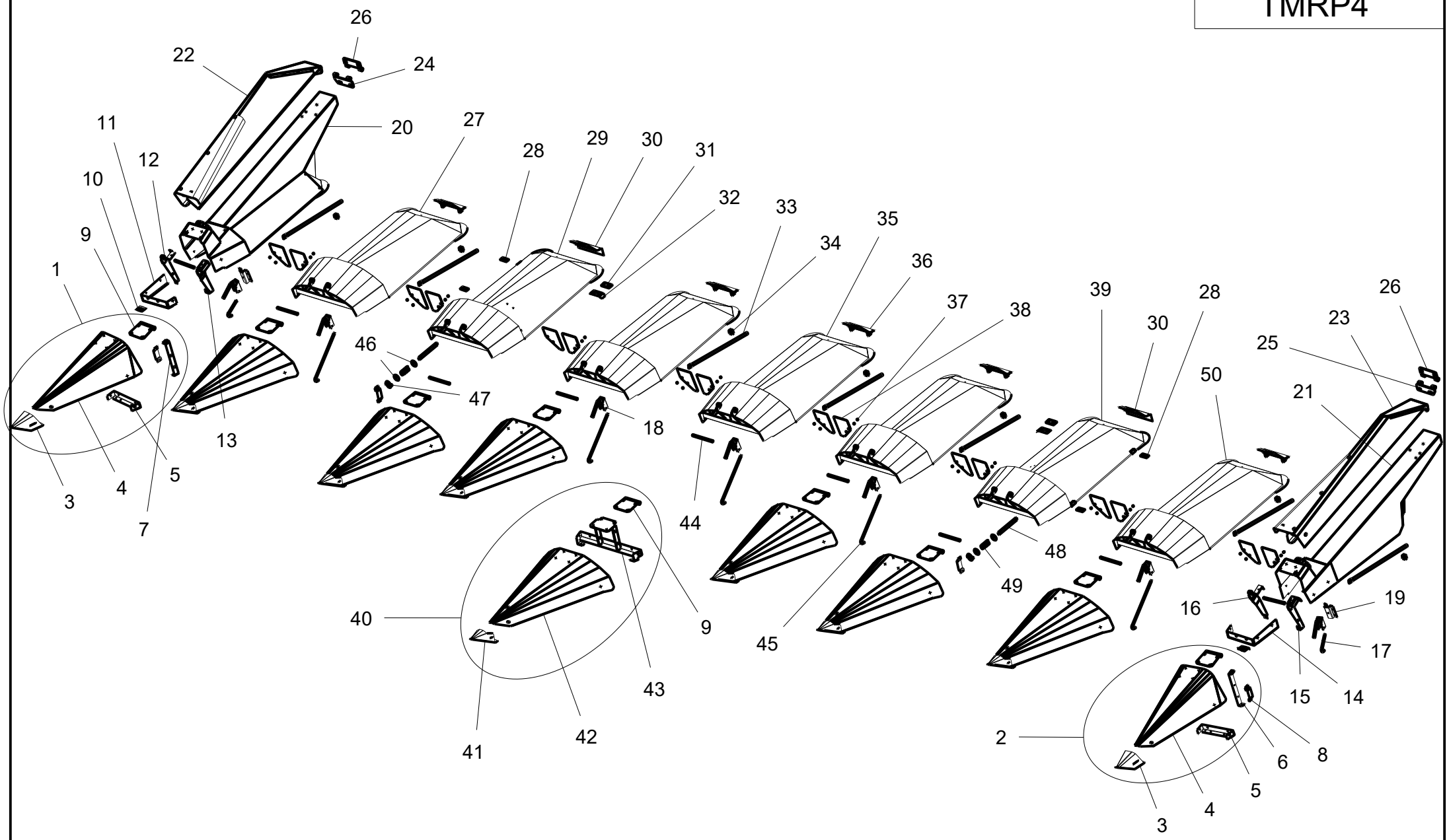
TMRP4

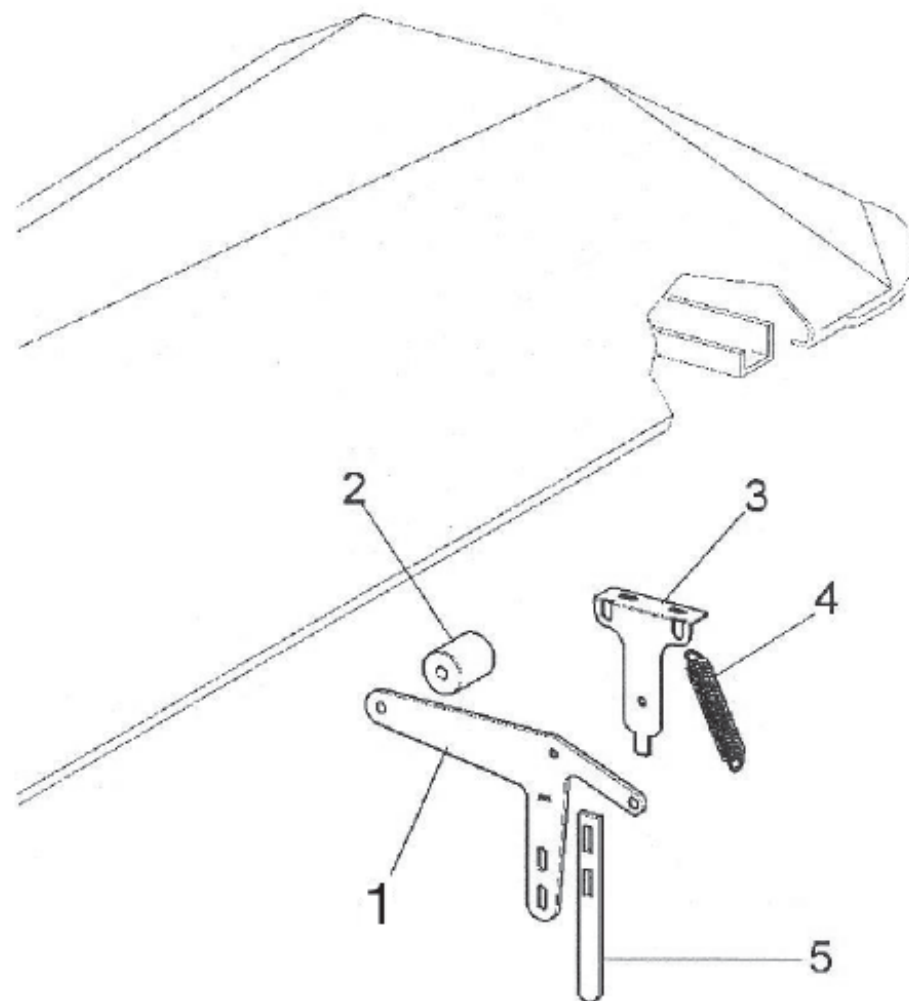
TAB.13B

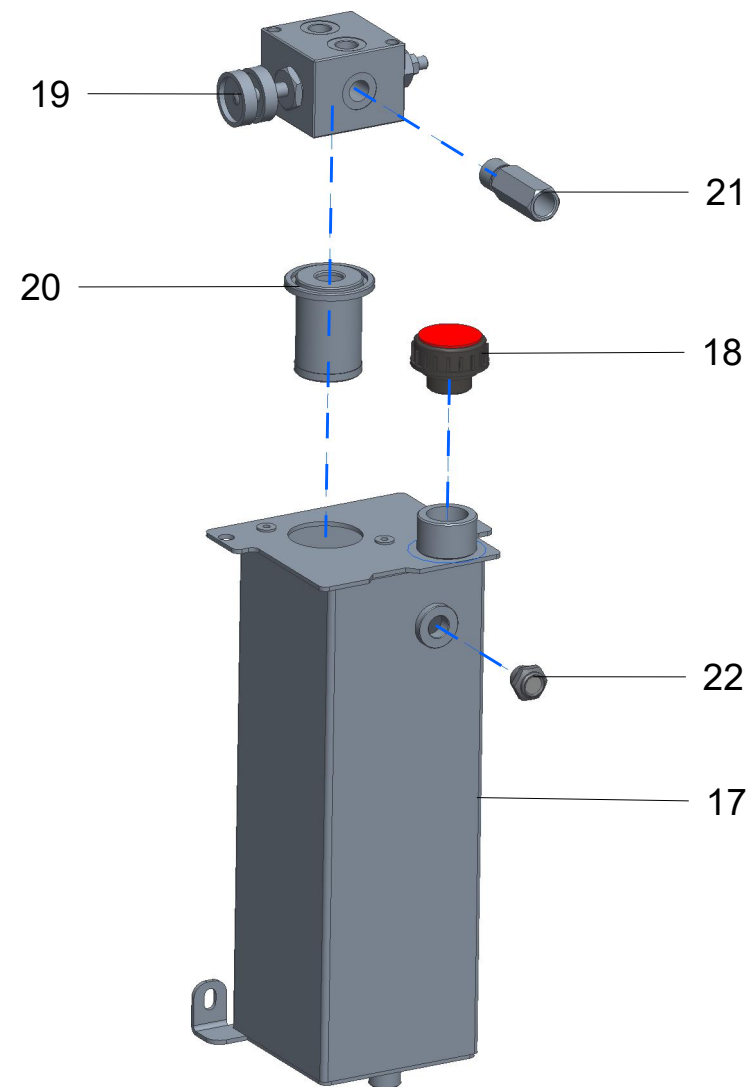
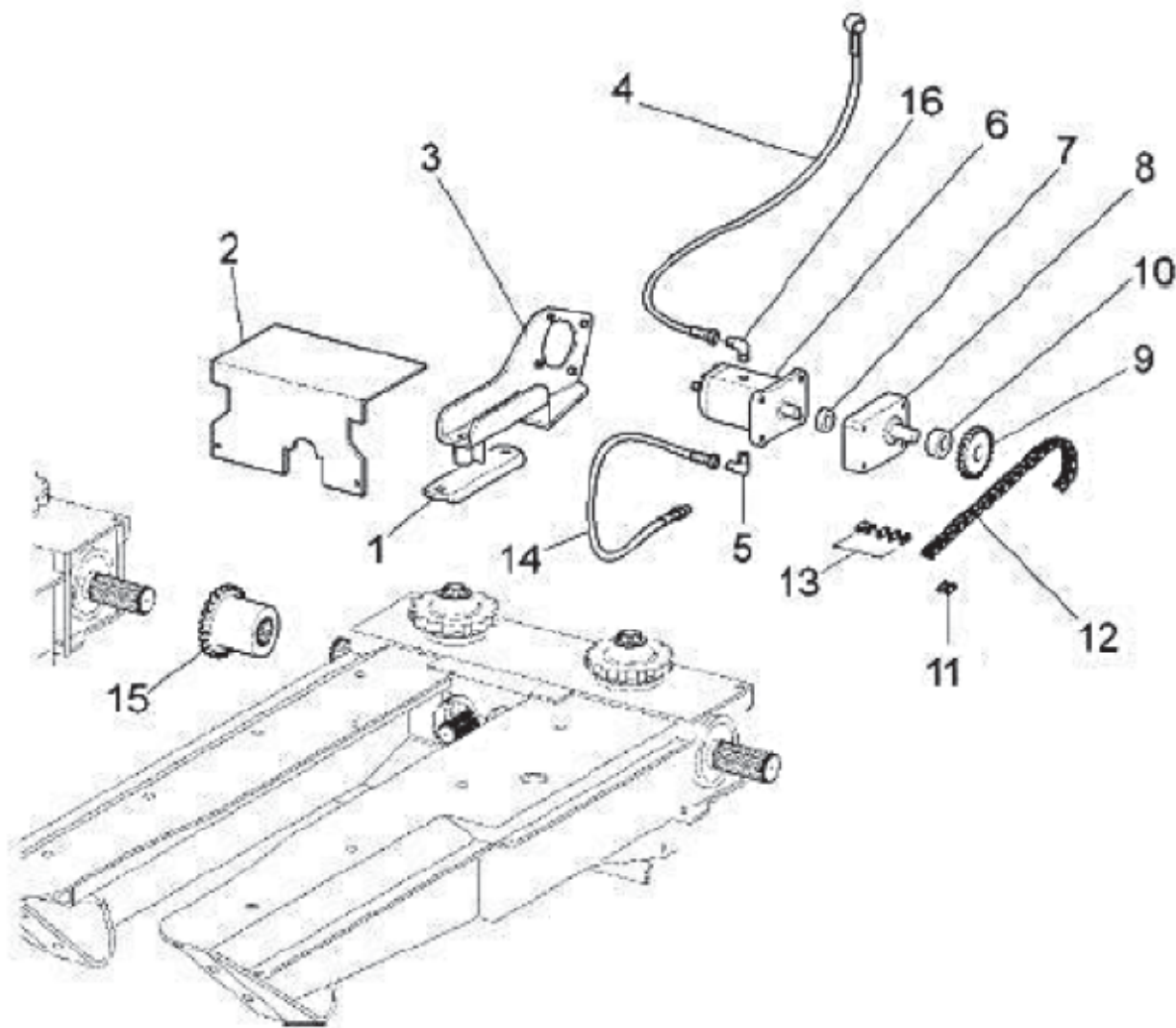
POS	CODE	Q.TY	DESCRIPTION
1	466400094		RX
2	466400095		LX
3	476100059		
4	256005772		RX
5	256005773		
6	263035686		
7	263035685		
8	243000003		
9	478000345		
10	284000022		
11	256005771		RX
12	480000034		RX
13	480000031		RX
14	256005770		LX
15	480000032		LX
16	480000033		LX
17	251000005		
18	448500002		
19	256002834		
20	413000152		RX
21	413000153		LX
22	600100161		RX
23	600100162		LX
24	478000605		RX
25	478000605		LX
26	478000604		

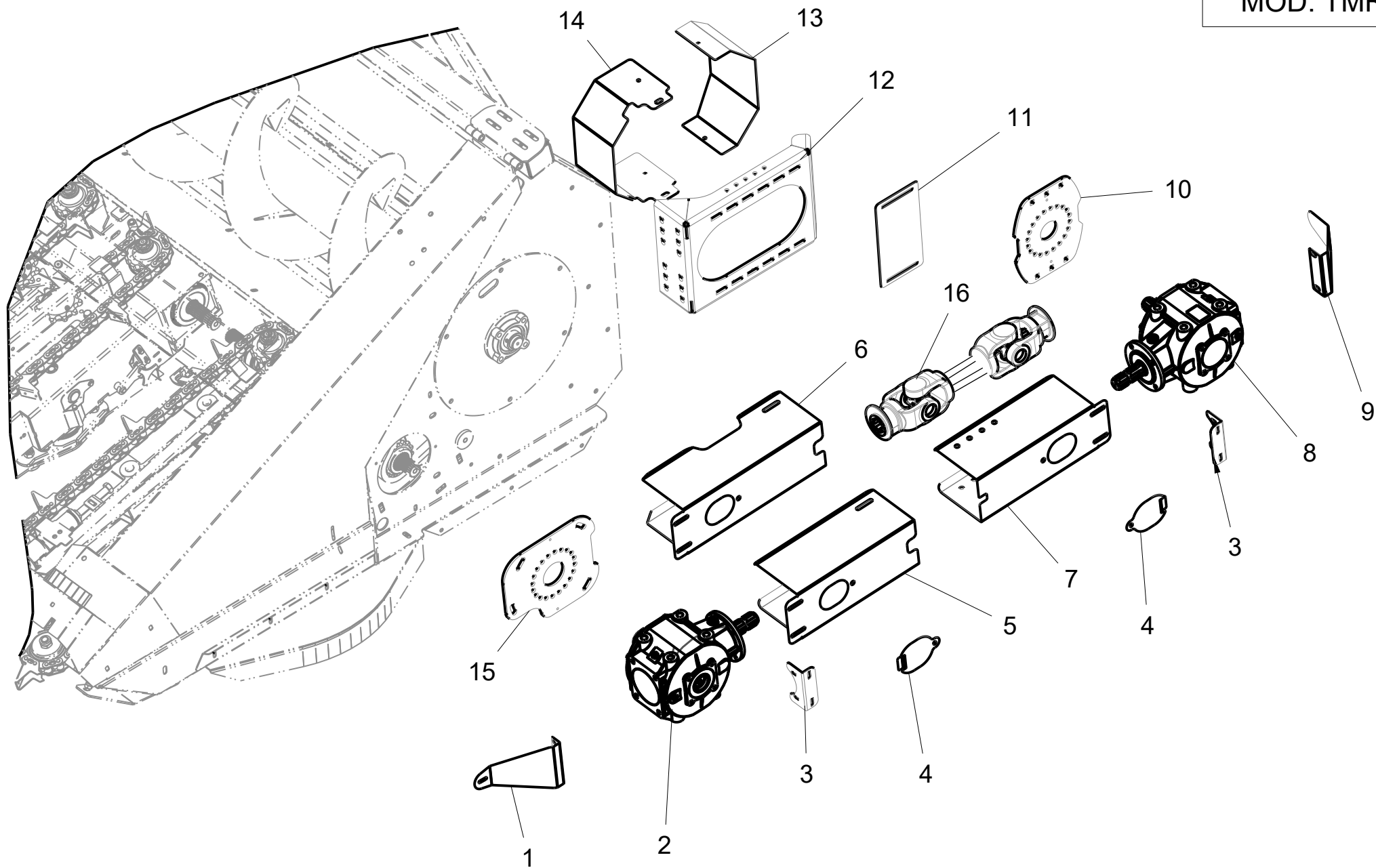
POS	CODE	Q.TY	DESCRIPTION
27	413000088		CX REG. 70 8 FILE 70 E 75
27	413000098		CX REG. 75 8 FILE 80
28	263001260		
29	413000086		RX 70
29	413000096		RX 75
29	413000125		RX 80
30	256006381		70 - 75 - 80
31	463800043		
32	284000005A		
33	248016028		
34	339020002		
35	413000088		CX 70
35	413000098		CX 75
35	413000123		CX 80
36	480000038		70 - 75 - 80
37	210008108		
38	296125006		
39	413000087		LX 70
39	413000097		LX 75
39	413000124		LX 80
40	466400038		CX 70
40	466400042		CX 75
40	466400074		CX 80
41	476100054		CX
42	256002795		70
42	256002847		75

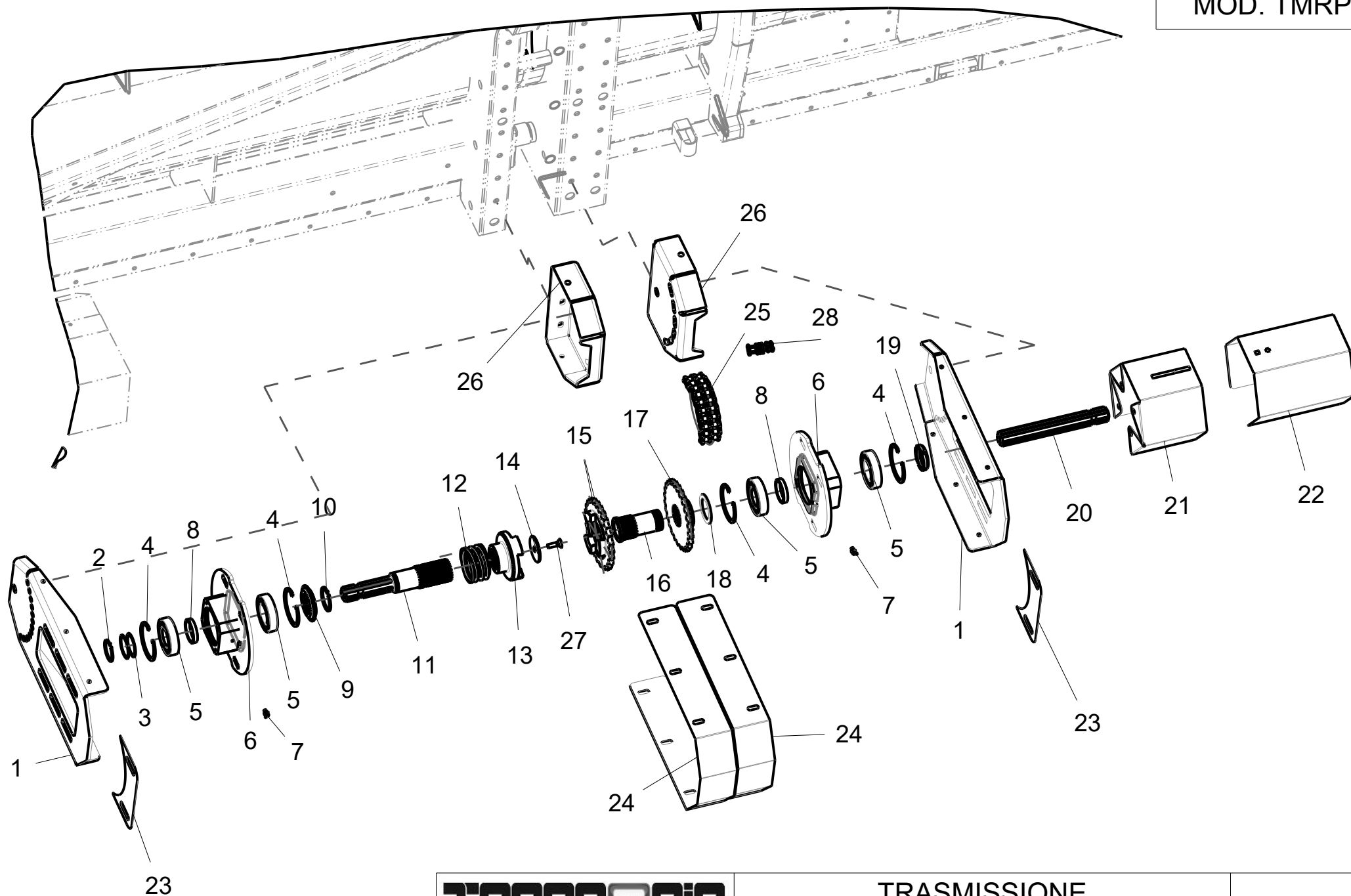


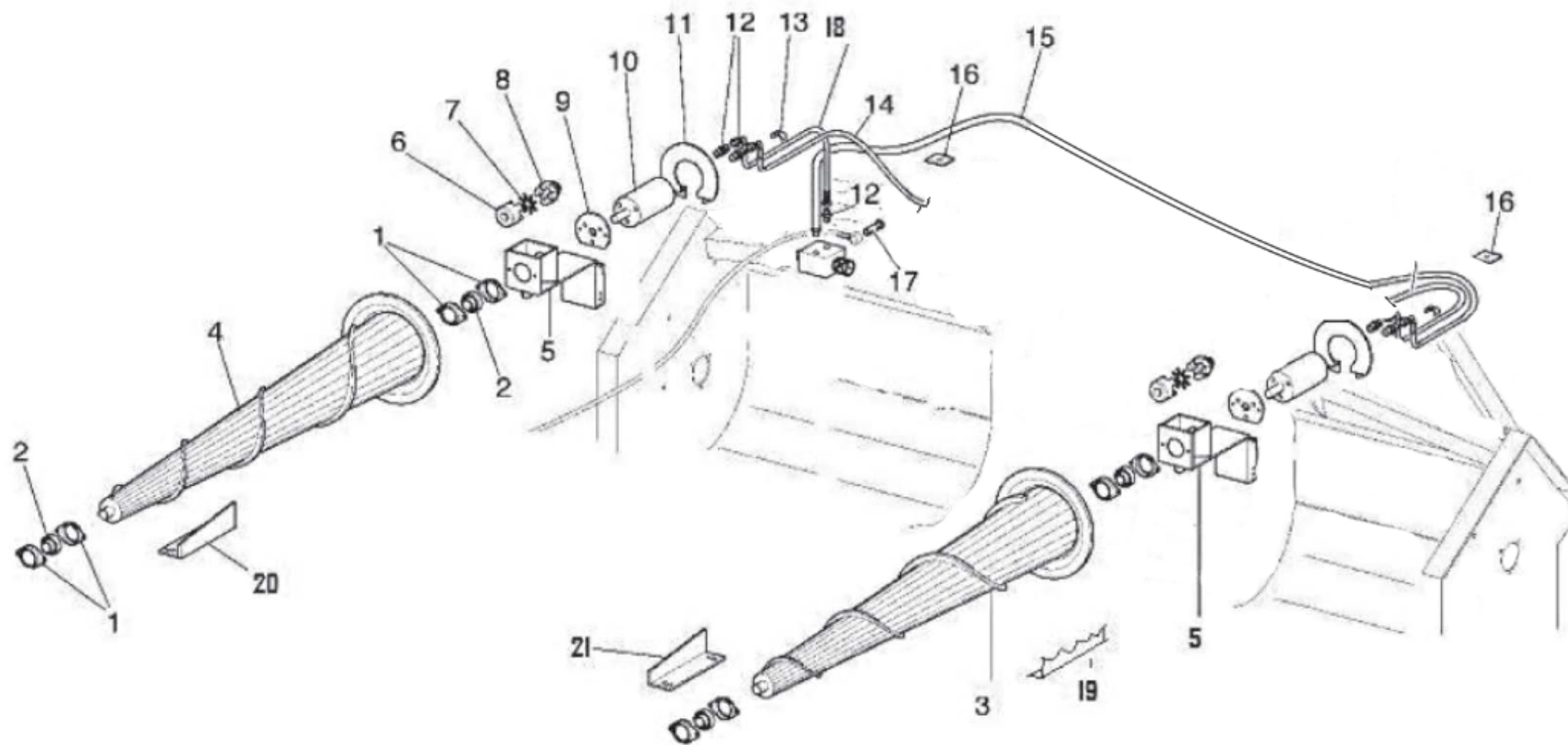


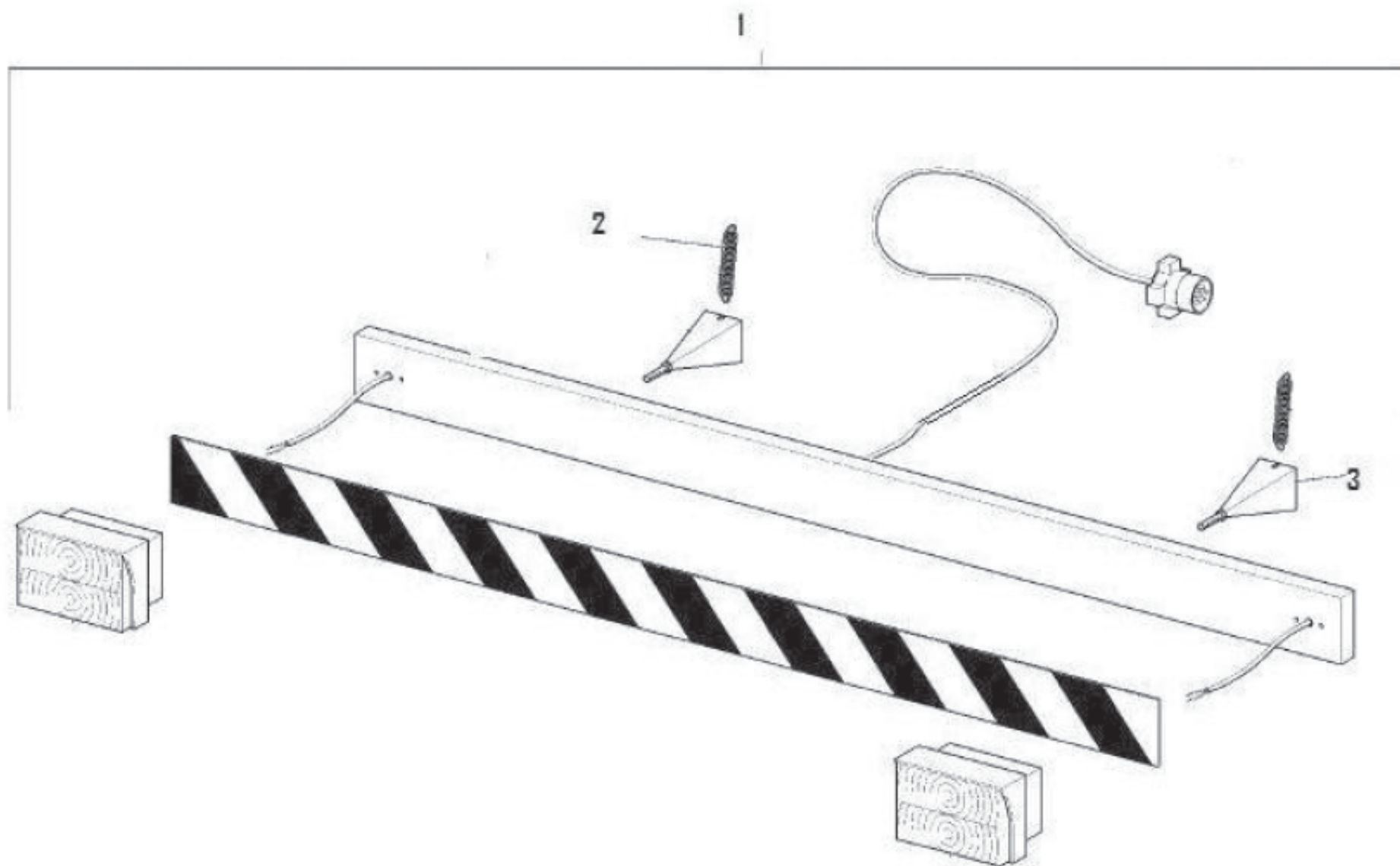


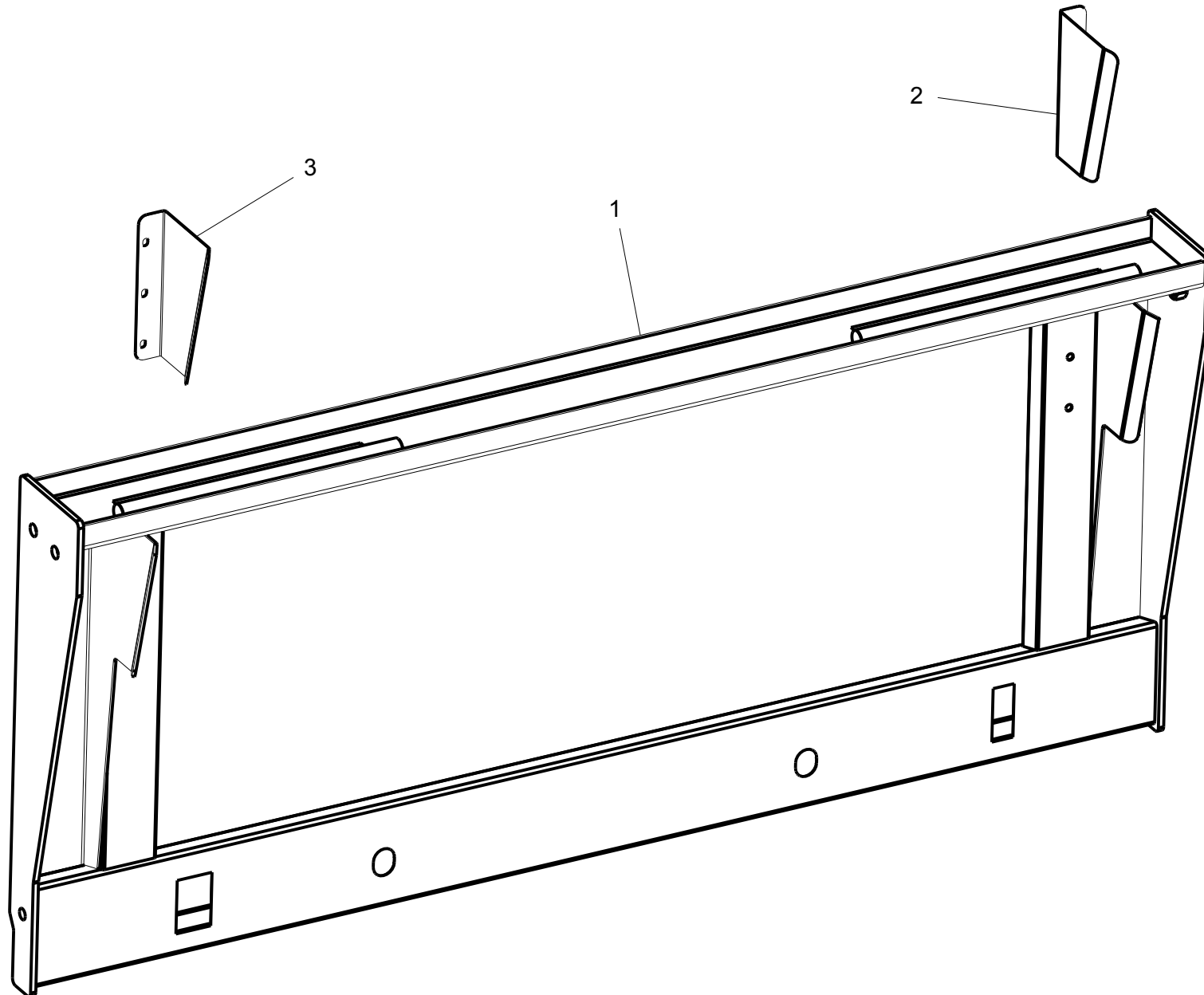


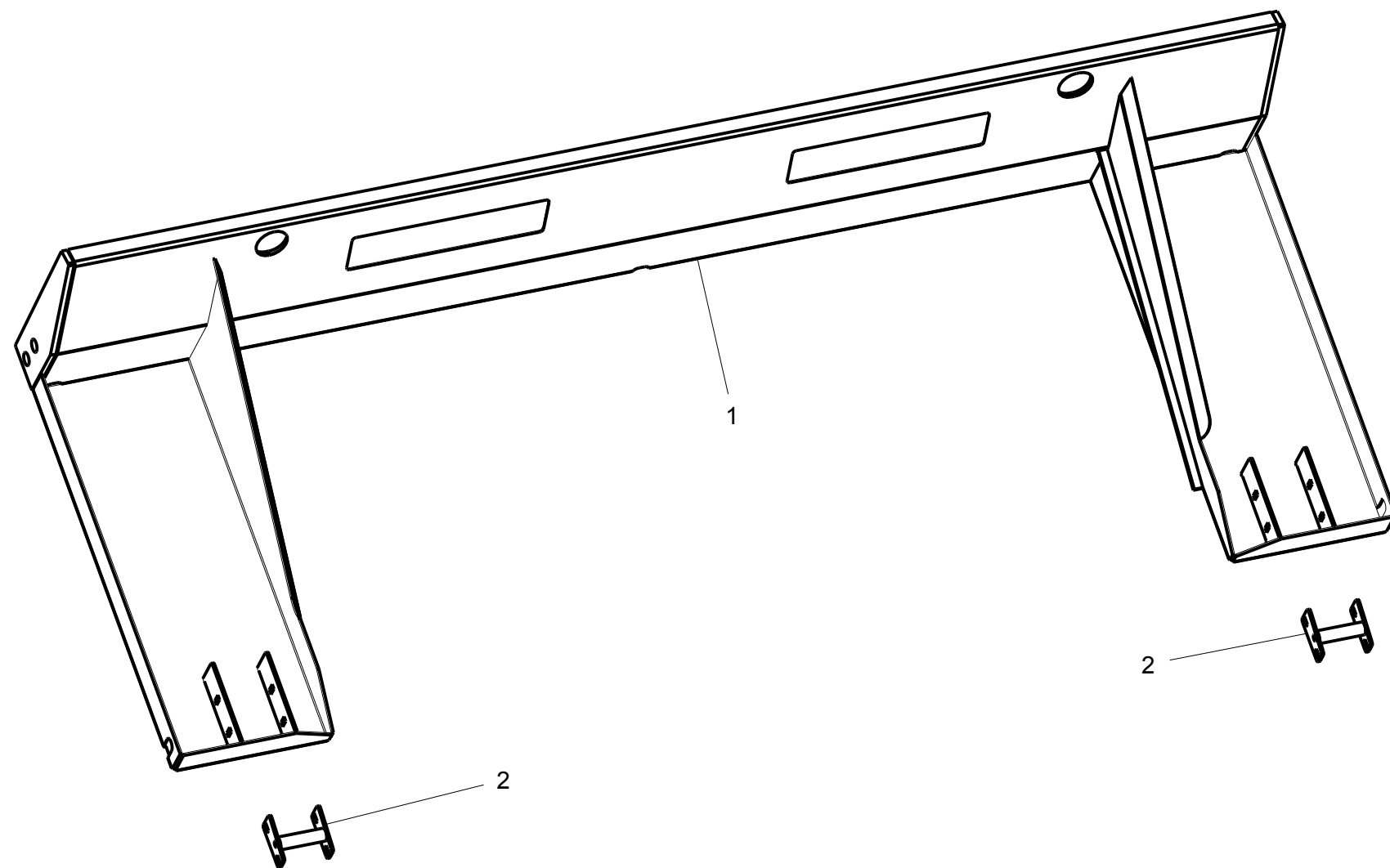


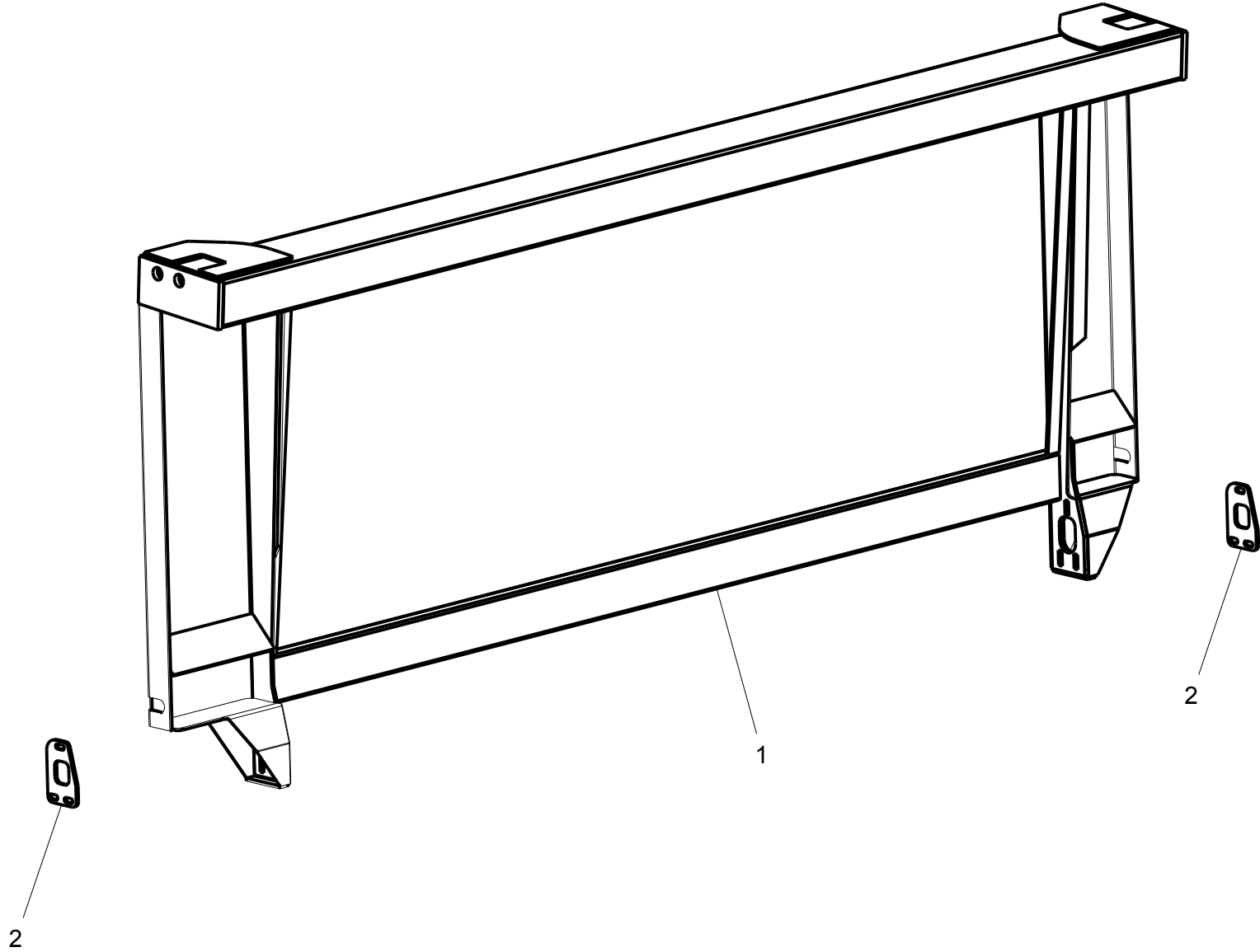


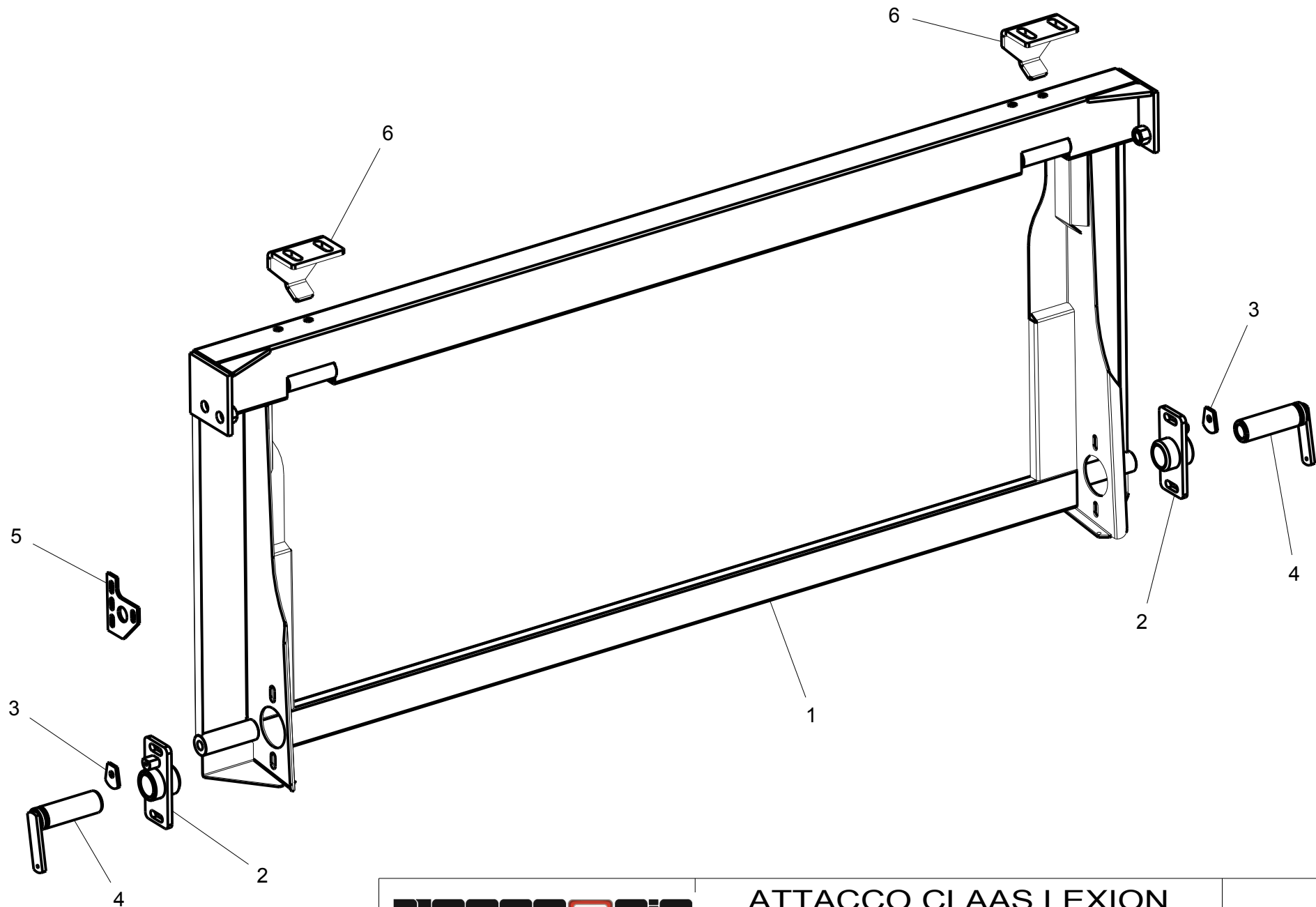


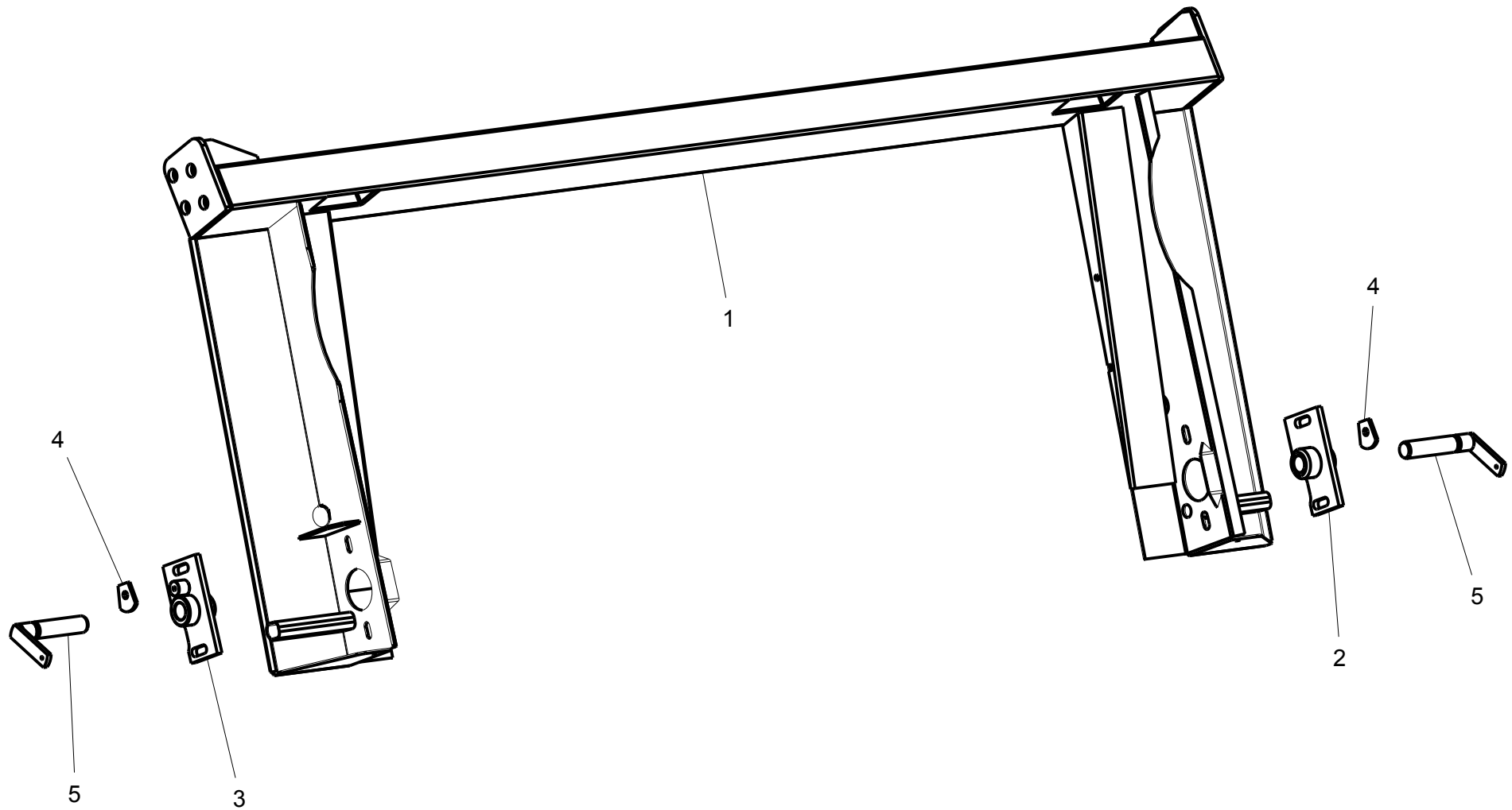


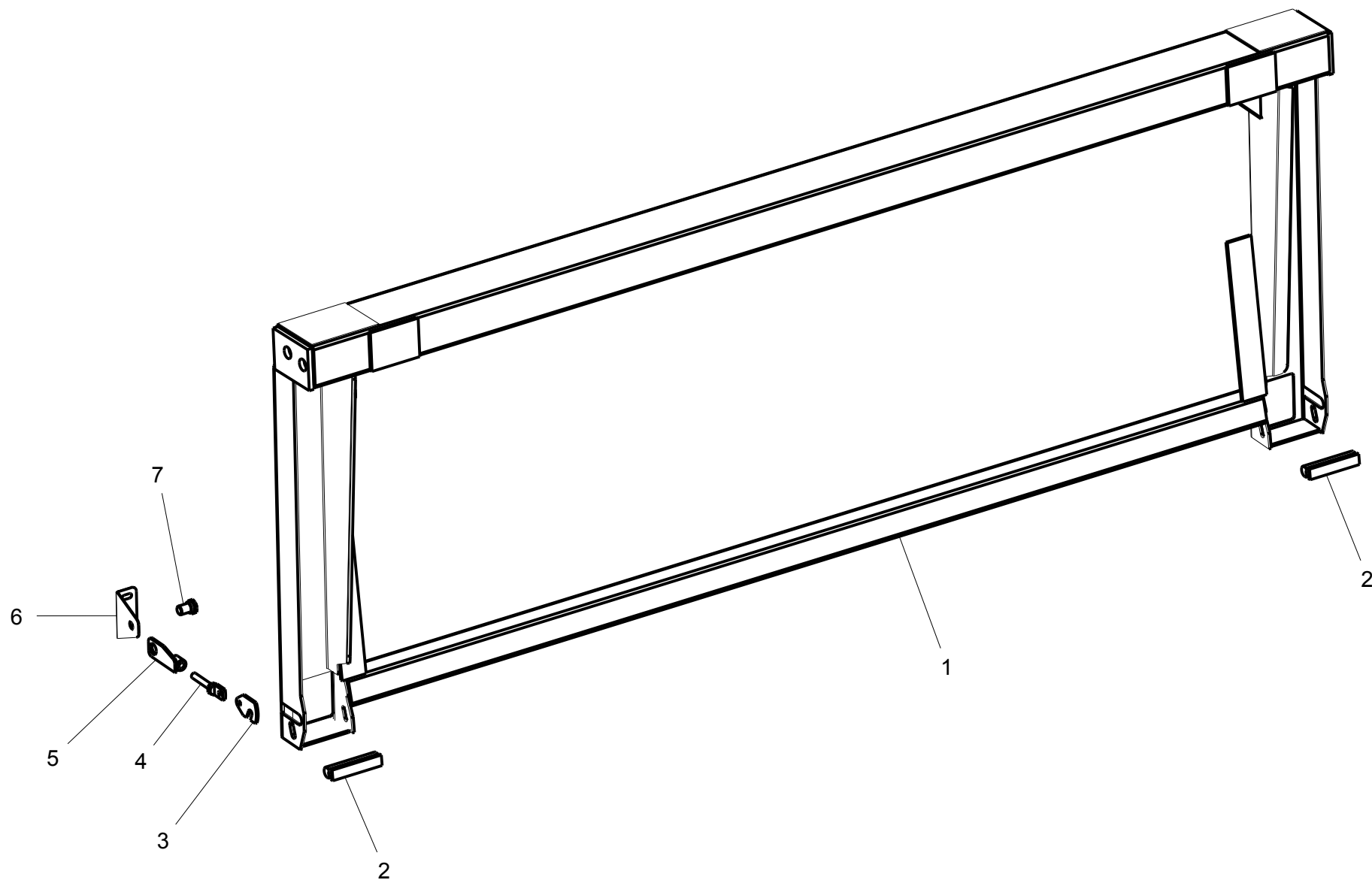


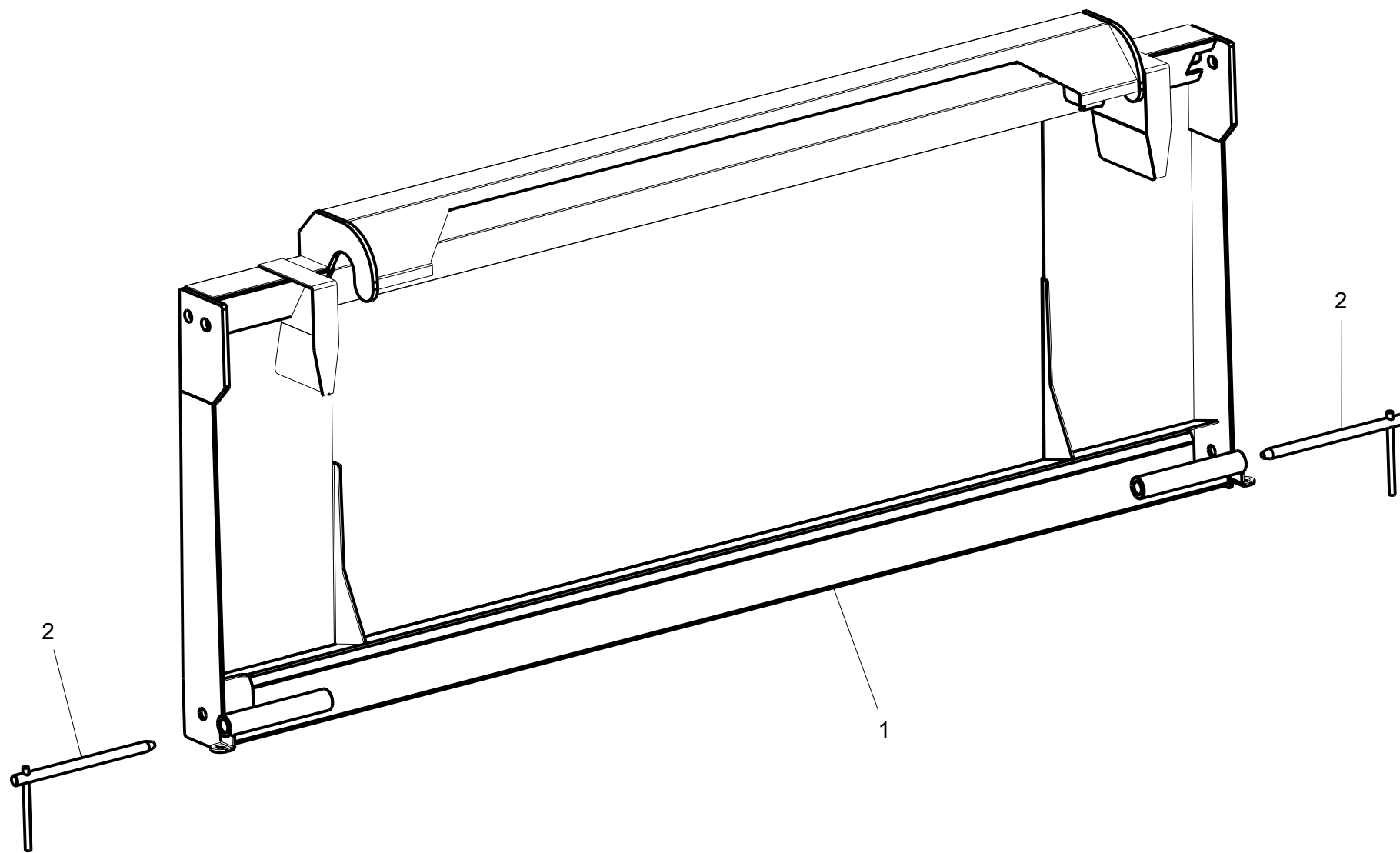




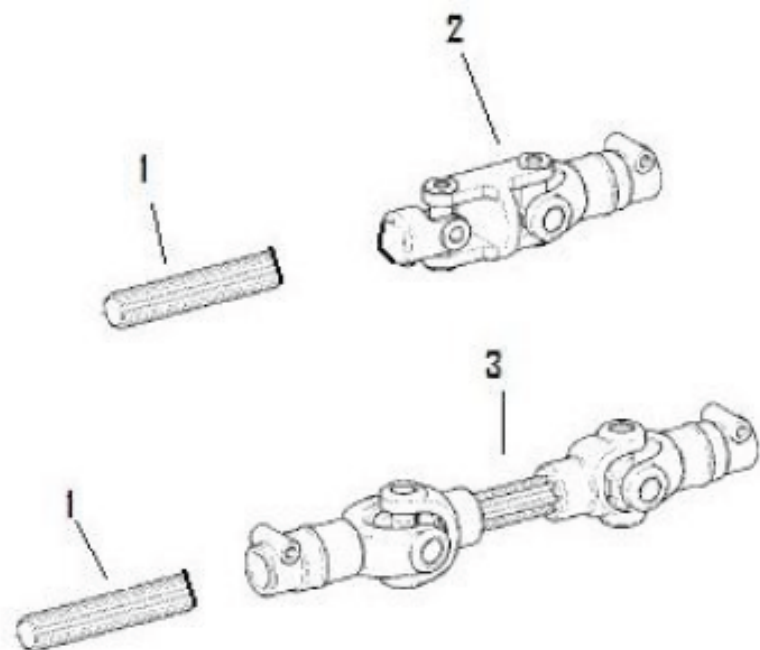




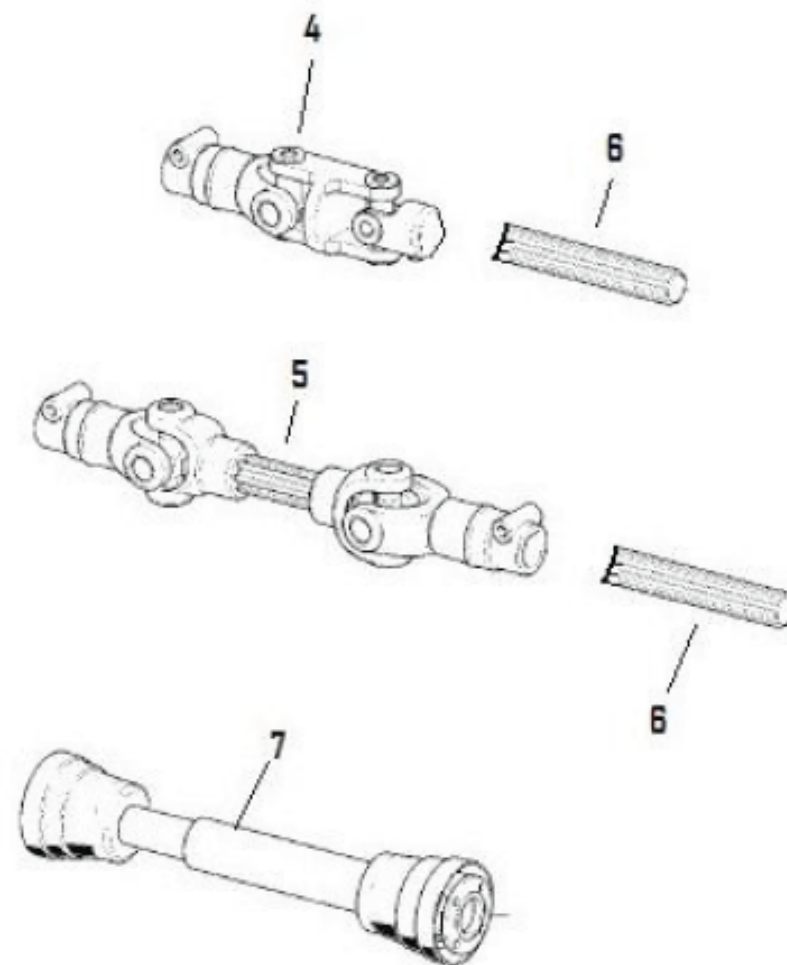


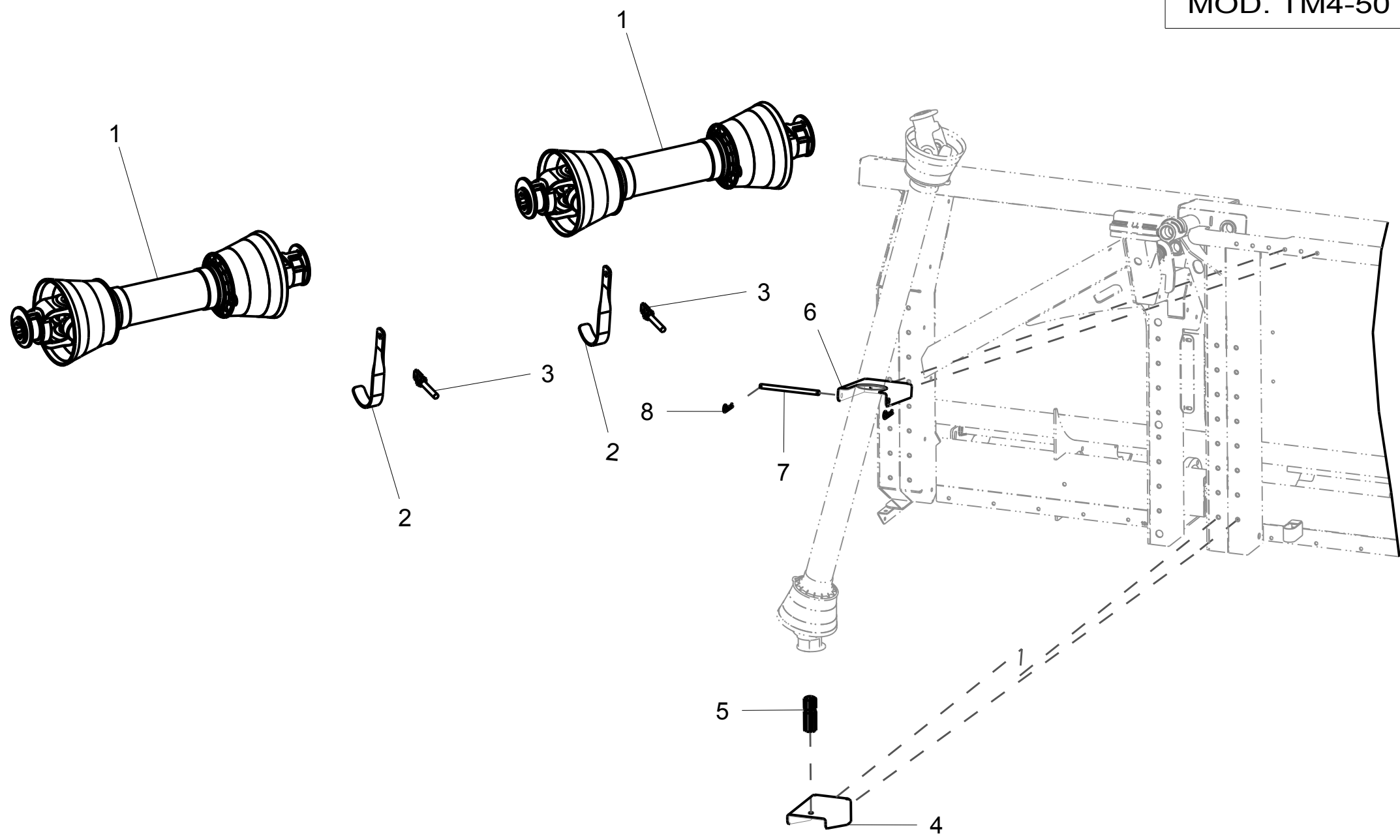


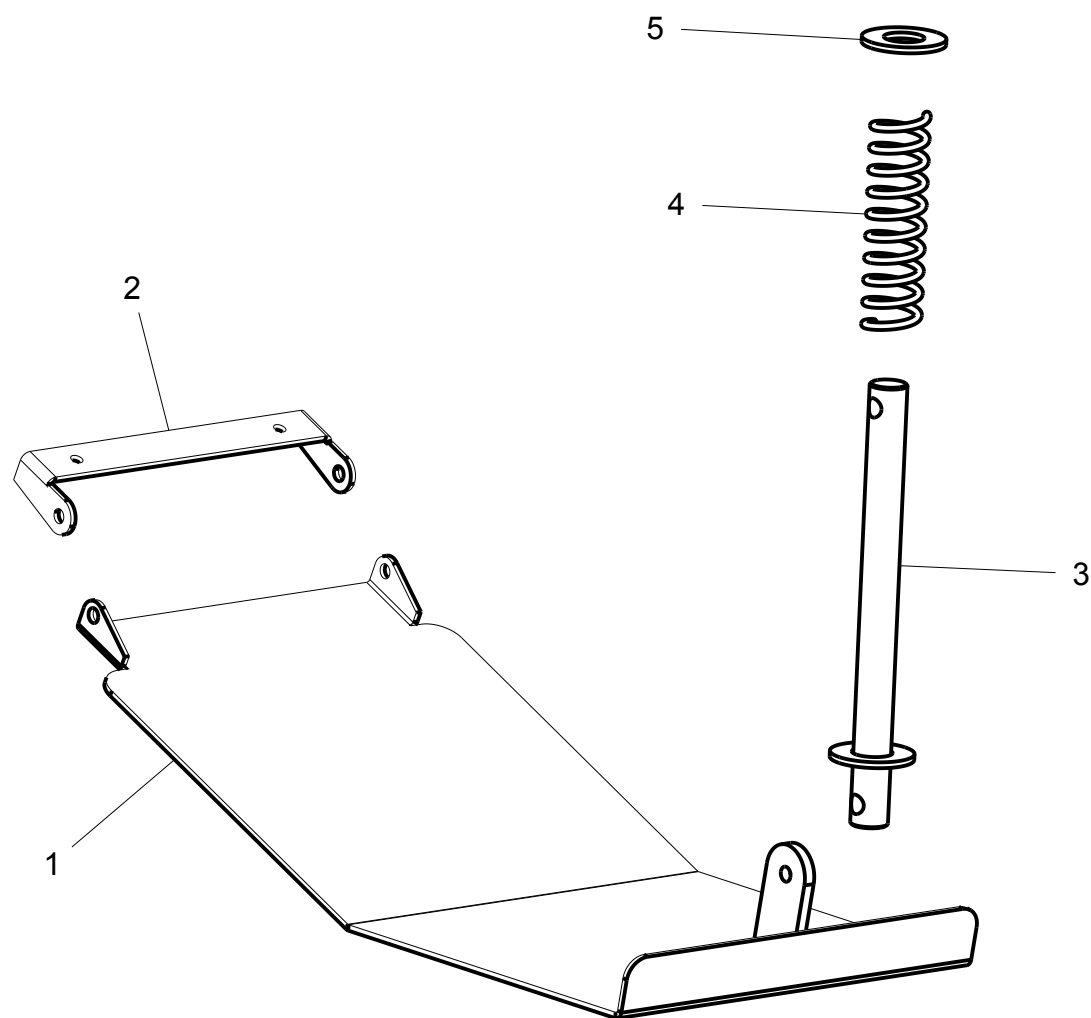
SX

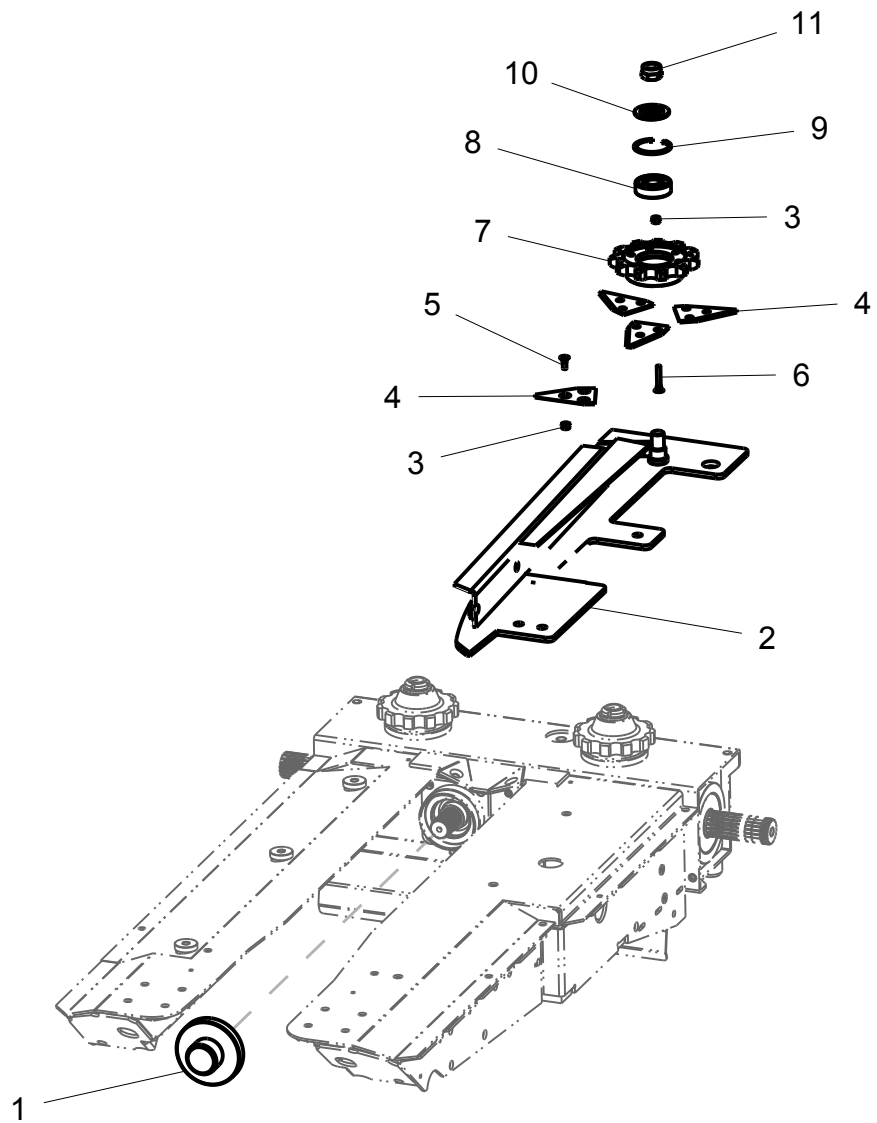


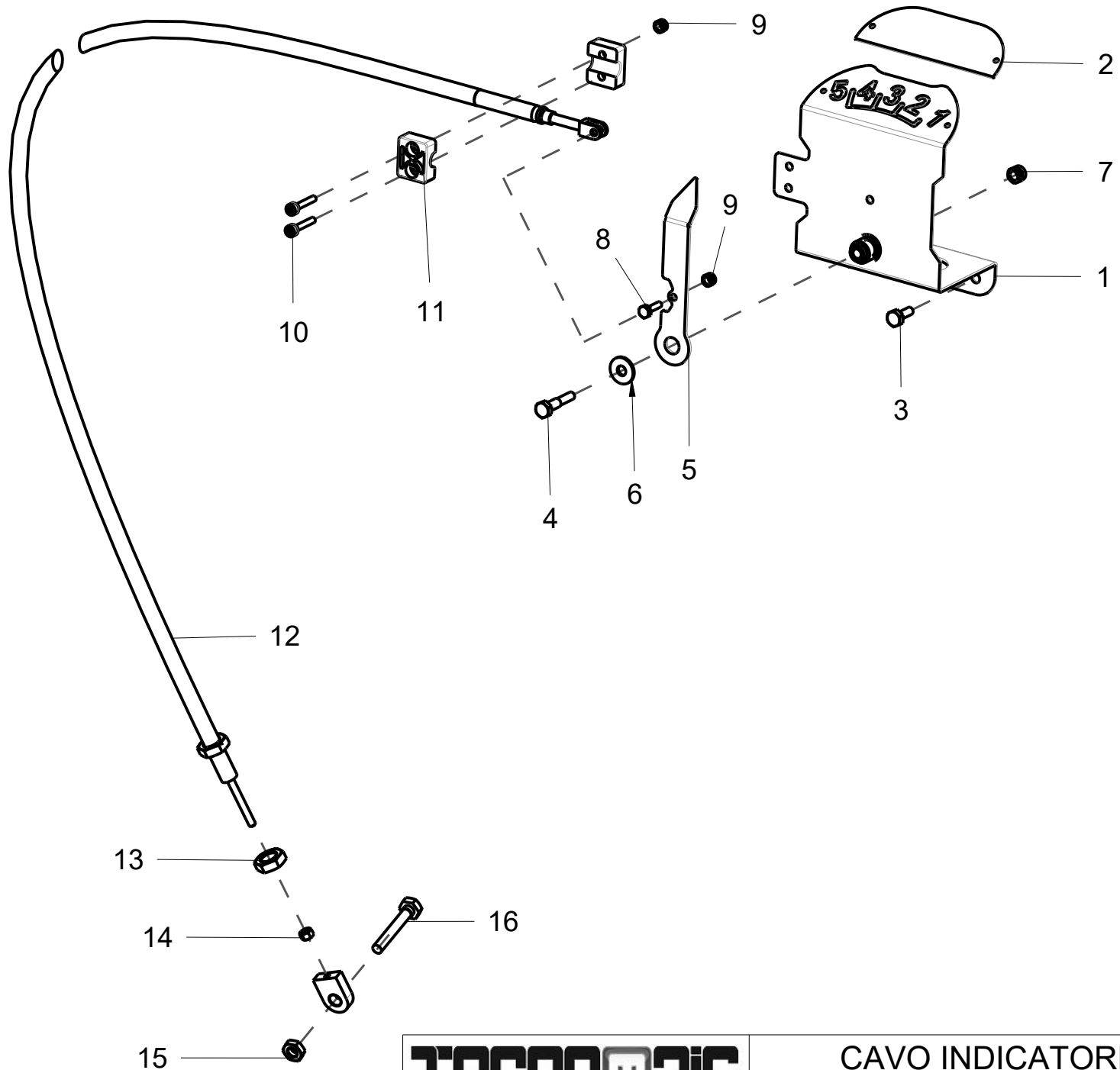
DX







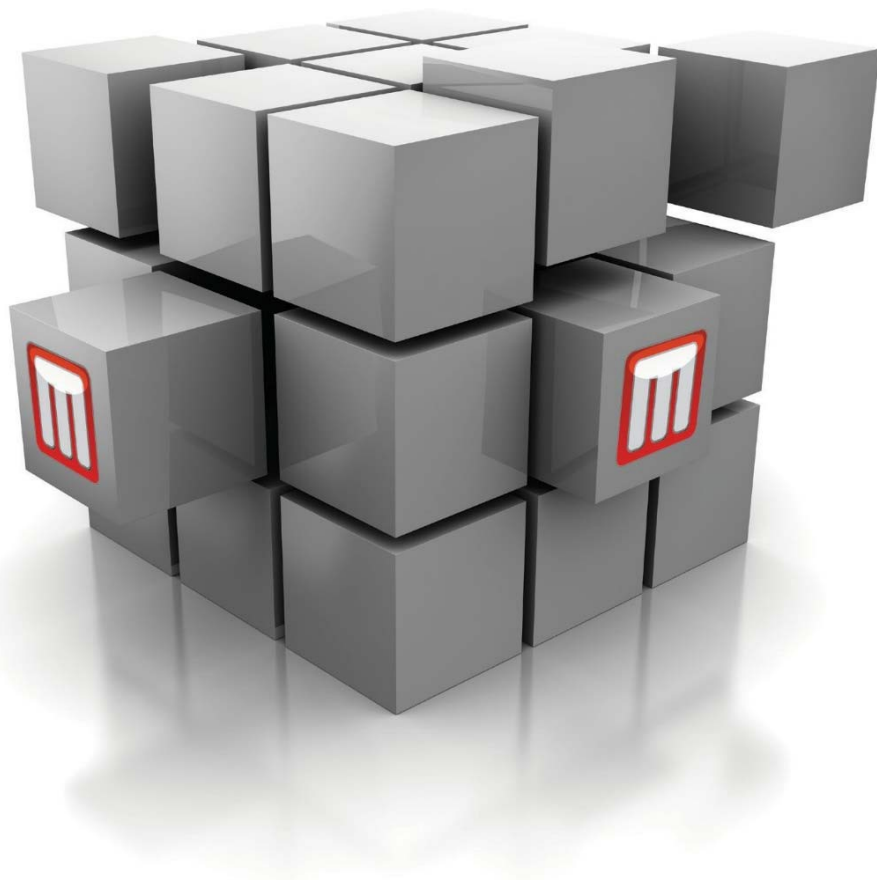






TECNOMAIS

LANDWORKERS



TECNOMAIS s.r.l.
46040 Ceresara MN - Via Piubega, 28
T +39 0376 87556 - F +39 0376 87027
www.tecnomais.it