

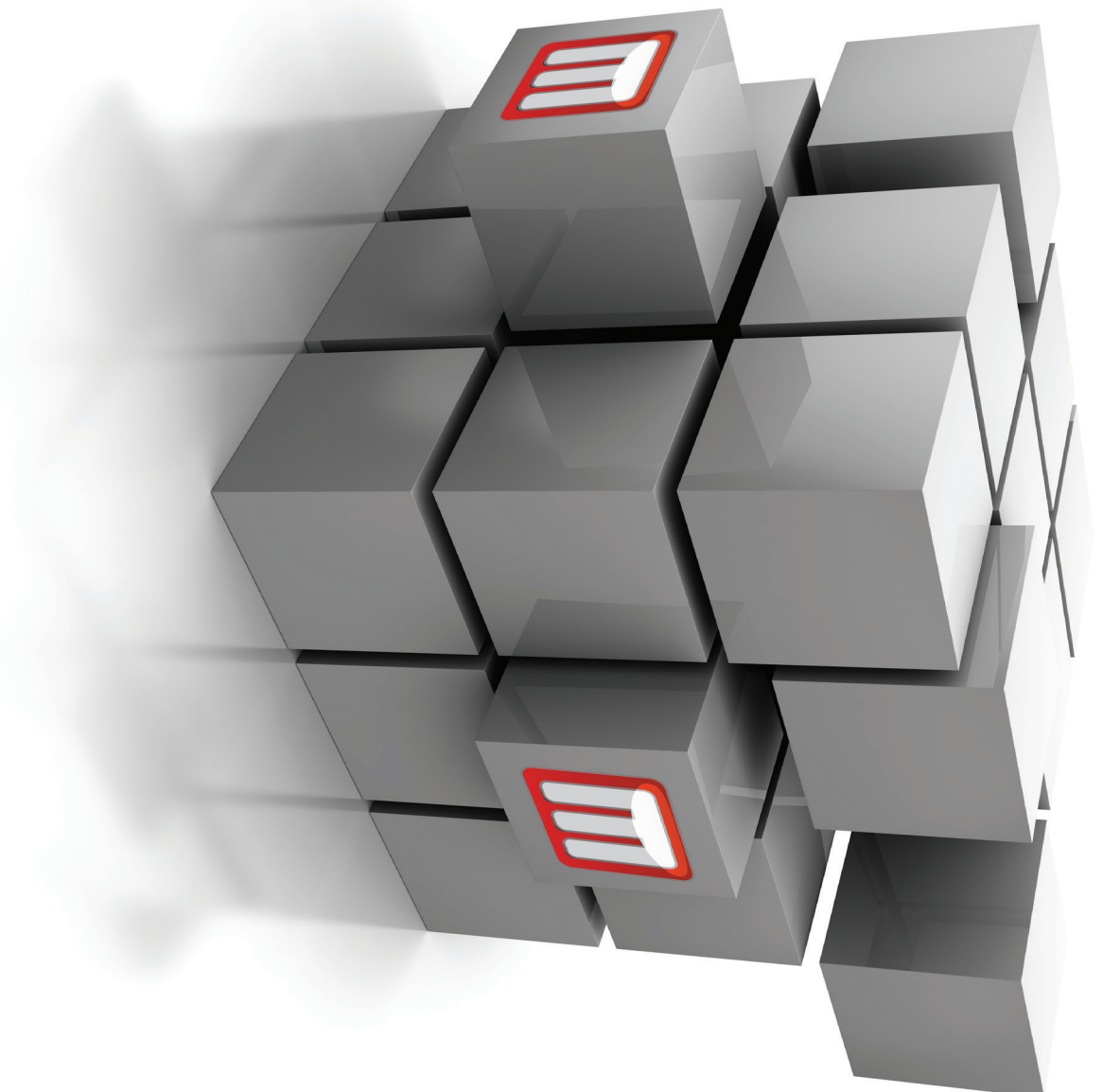
## CATALOGO RICAMBI *SPARE PARTS*

### TESTATA MAIS PIEGHEVOLE

Modello: **TM - TMRP2**

Interfila: **Cm. 60, 70, 75, 80**

Numero Di File: Tutte



[www.technomais.it](http://www.technomais.it)

## **ISTRUZIONI PER ORDINARE I RICAMBI**

I numeri di ordinazione riportati su questo catalogo sono aggiornati alla data di uscita della pubblicazione. E' nostro obiettivo migliorare costantemente le macchine e quindi i numeri di ordinazione e le illustrazioni possono non essere più attuali.

## **INSTRUCTIONS POUR COMMANDER LES PIÈCES DE RECHANGE**

Les numéros de commande qui se trouvent sur ce catalogue ont ajustés à la date de publication. Notre objectif est d'améliorer toujours les machines et donc les numéros de commande et les images ne peuvent pas être actuelles.

Au moment de commander les pièces de rechange vérifier les numéros de commande dans Votre Concessionnaire qui est fourni du bordereau générale des actuelles pièces de rechange.

## **INSTRUCTIONS FOR ORDERING PARTS**

*At the time this parts catalog was published the listed part numbers were current. It is our aim to constantly improve our machines and therefore, part numbers and design may change.*

*When ordering parts, verify part numbers through your dealer's master numerical index which are to date with all the latest part numbers.*

## **ИНСТРУКЦИИ ДЛЯ ЗАКАЗА ЗАПЧАСТЕЙ**

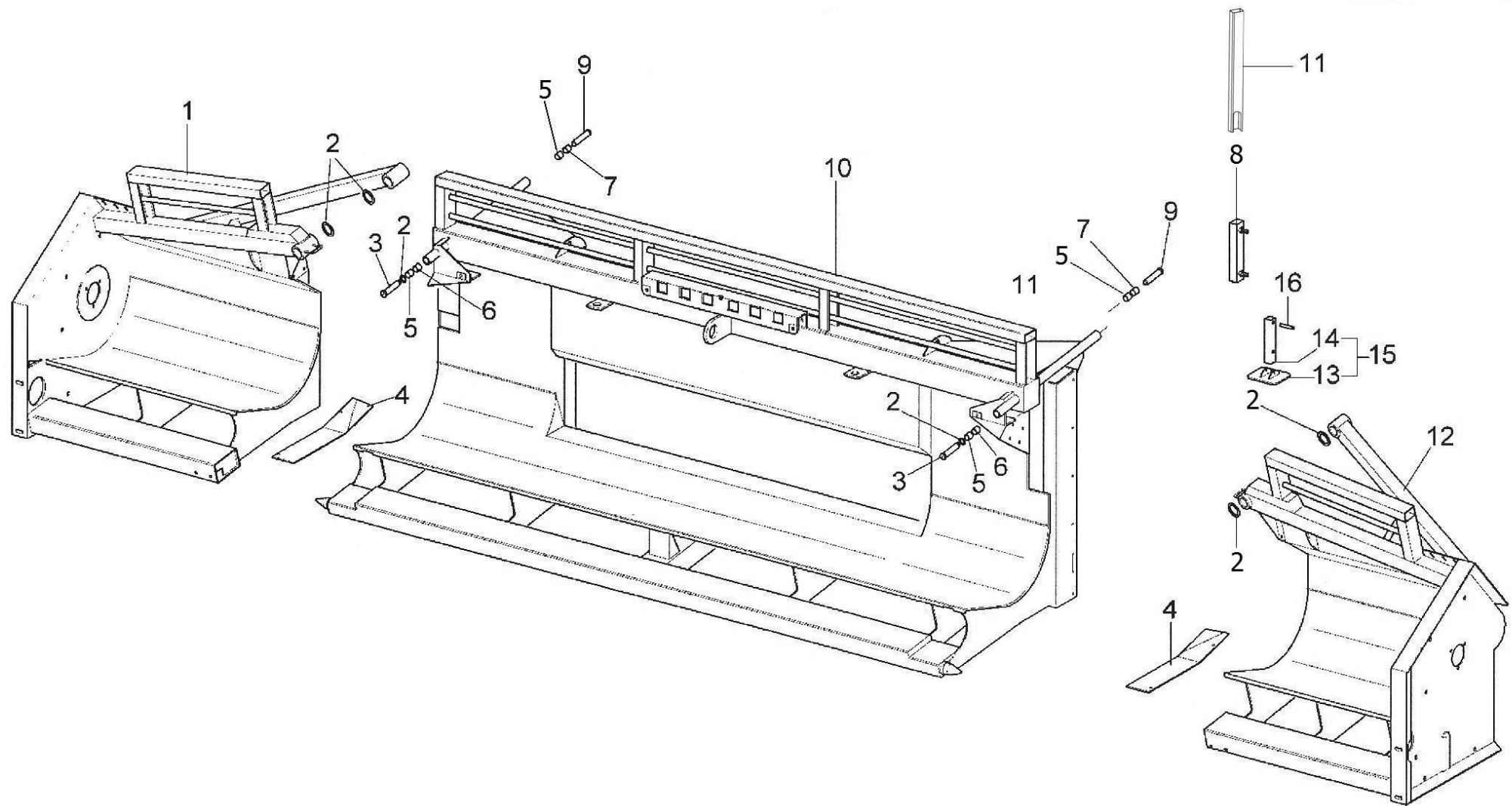
*Номера заказов, указанные в данном каталоге были обновлены к моменту публикации. Нашей целью является постоянное совершенствование машин, и, следовательно, номера для заказов частей и иллюстрации могут быть устаревшими.*

*При заказе запчастей следует проверить номера для заказов у Вашего продавца, у которого имеется обновленный общий каталог запчастей.*

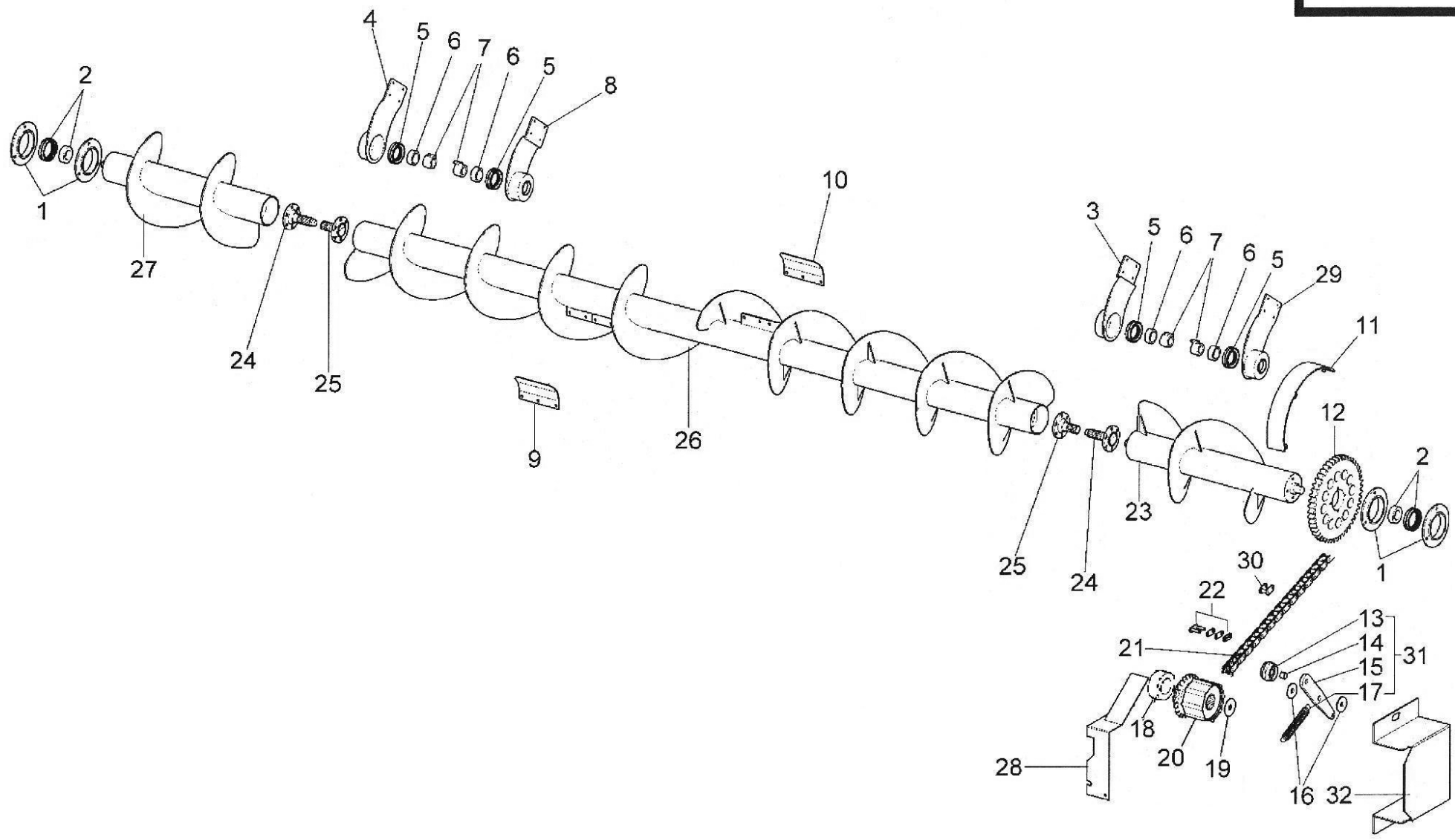
INDICE  
TESTATA MAIS PIEGHEVOLE\_FOLDABLE MAIZE HEADER  
CUEILLEUR MAÏS REPLIABLE\_KLAPPBARE MAISPFLÜCKKÖPFE  
КУКЛРВУЗНАЯ ЖАТКА СКЛАДНАЯ  
TM-RP2

TAV.01 -	TELAIO FRAME SHASSIS	TAV.11 -	COMANDO LAME ELETTICHE ELECTRIC BLADE CONTROL CONTROLE LAMES ELECTRIQUES
TAV.02 -	COCLEA AUGER VIS SANS FIN	TAV.12 -	COFANI CAVERS CAPOTS
TAV.03 -	CILINDRI CYLINDER CYLINDRE	TAV.13 -	BILANCERE COFANI RIBALTABILI FOLDABLE COVER BALANCE BEAM BALANCIER CAPOTS RABATTABLES
TAV.04 -	GRUPPO RACCOGLITORE - RULLI A LAME GATHERING UNIT - BLADES ROLLERS GROUPE RAMASSEUR - AUX LAMES	TAV.14 -	POMPA COCLEE CONICHE PUMP WORMSCREW POMPE VIS
TAV.05 -	GRUPPO RACCOGLITORE - RULLI A ALETTE GATHERING UNIT - WINGLET ROLLERS GROUPE RAMASSEUR - AUX AILETTES	TAV.15 -	COCLEE CONICHE LATERAL CONICAL AUGERS VIS SANS FIN LATERALES
TAV.06 -	GRUPPO RACCOGLITORE GATHERING UNIT GROUPE RAMASSEUR	TAV.16 -	BARRA LUCI LIGHT BAR BARRE LUMIERES
TAV.07 -	GUIDA CATENA RIBALTABILI CHAIN GUIDE GUIDE CHAINE	TAV.17 -	PROTEZIONE TRINCIASTOCCHI STALK CHOPPER GUARDS PROTECTIONS DECHAUMEUSE
TAV.08 -	SCATOLA INGRANAGGI GEAR BOX BOITE ENGRENAGES	TAV.18 - TAV.19	TRASMISSIONE INTERNA PARTI COMUNI INTERNAL TRANSMISSION TRANSMISSION INTERNE
TAV.09 -	TRINCIASTOCCHI STALK CHOPPER BROYEURS	TAV.20	TRASMISSIONE ESTERNA EXTERNAL TRANSMISSION TRANSMISSION EXTERIEURE
TAV.10 -	TRASMISSIONE FRA I GRUPPI TRANSMISSION TRANSMISSION	TAV.21 -	ATTACCO REGISTRABILE ADJUSTABLE CONNECTION BRANCHEMENT REGLABLE
		TAV.22 -	TRASMISSIONE INTERNA - CARDANICA INTERNAL TRANSMISSION TRANSMISSION INTERNE
		TAV.23 -	CAVO INDICATORE LAME PLATES INDICATOR CABLE CAVE INDICATEUR PLAQUES









AUGER  
SCHNECKE

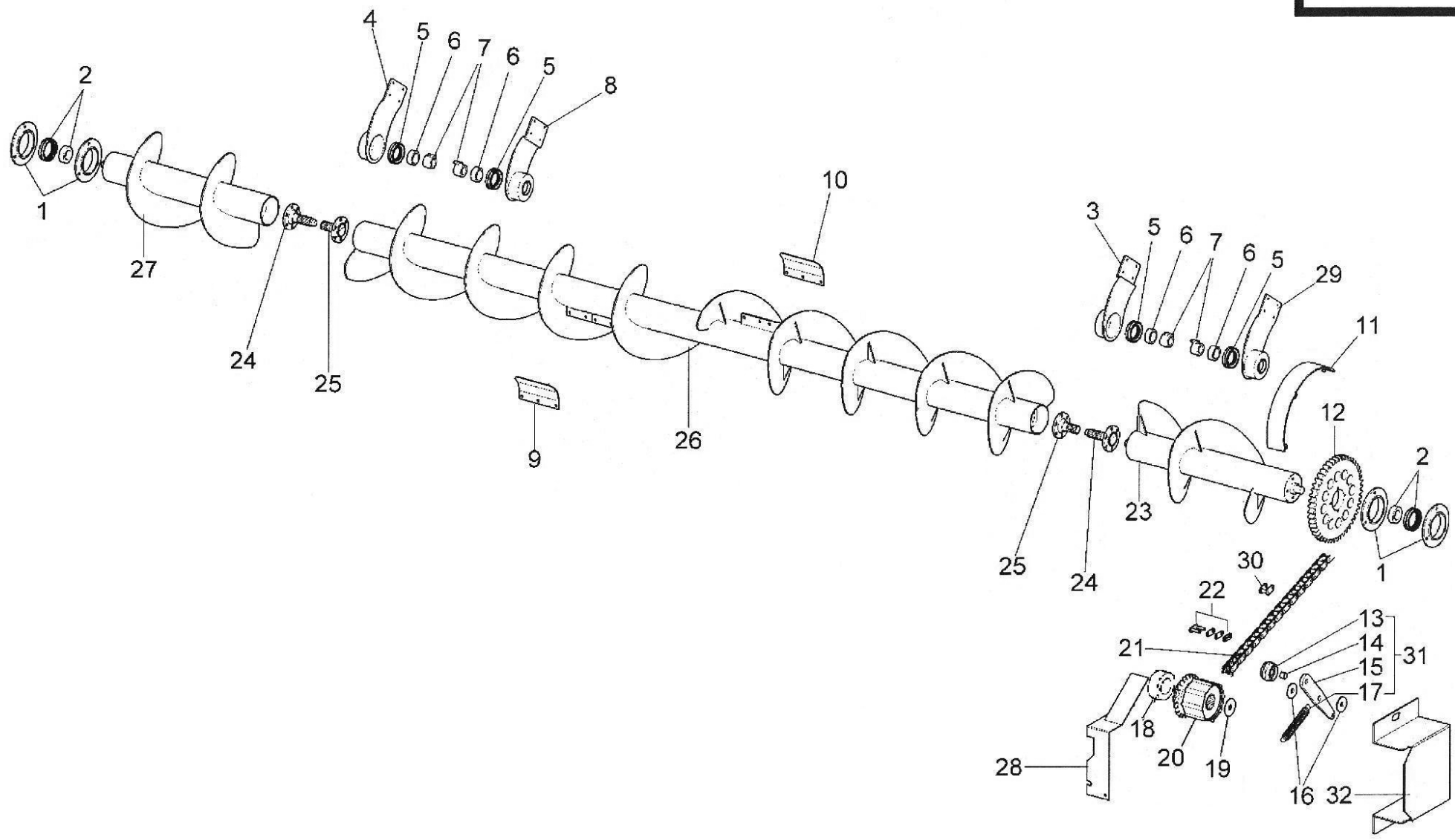
COCLEA

VIS SANS FIN  
SINFIN

TAB. 02







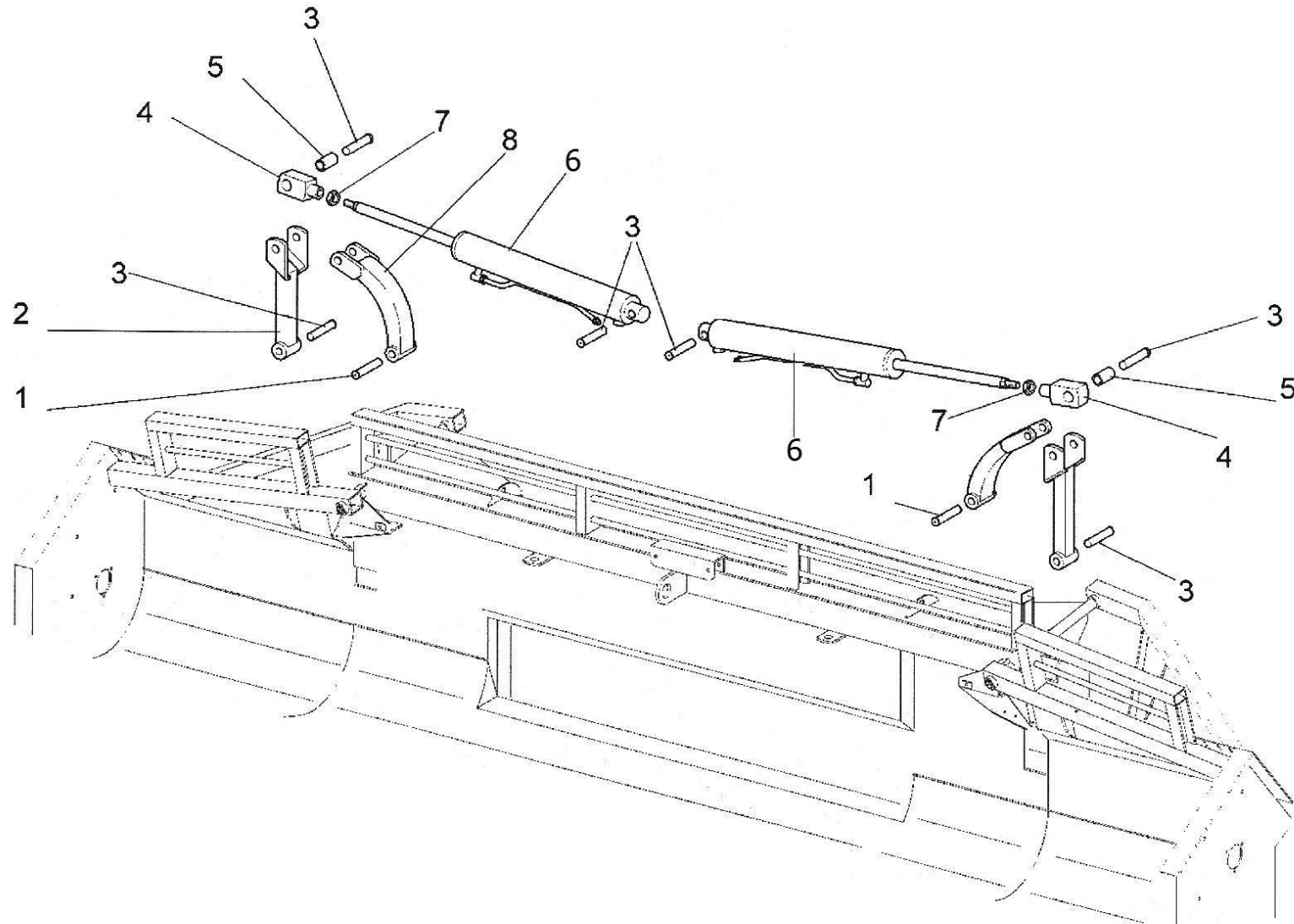
AUGER  
SCHNECKE

COCLEA

VIS SANS FIN  
SINFIN

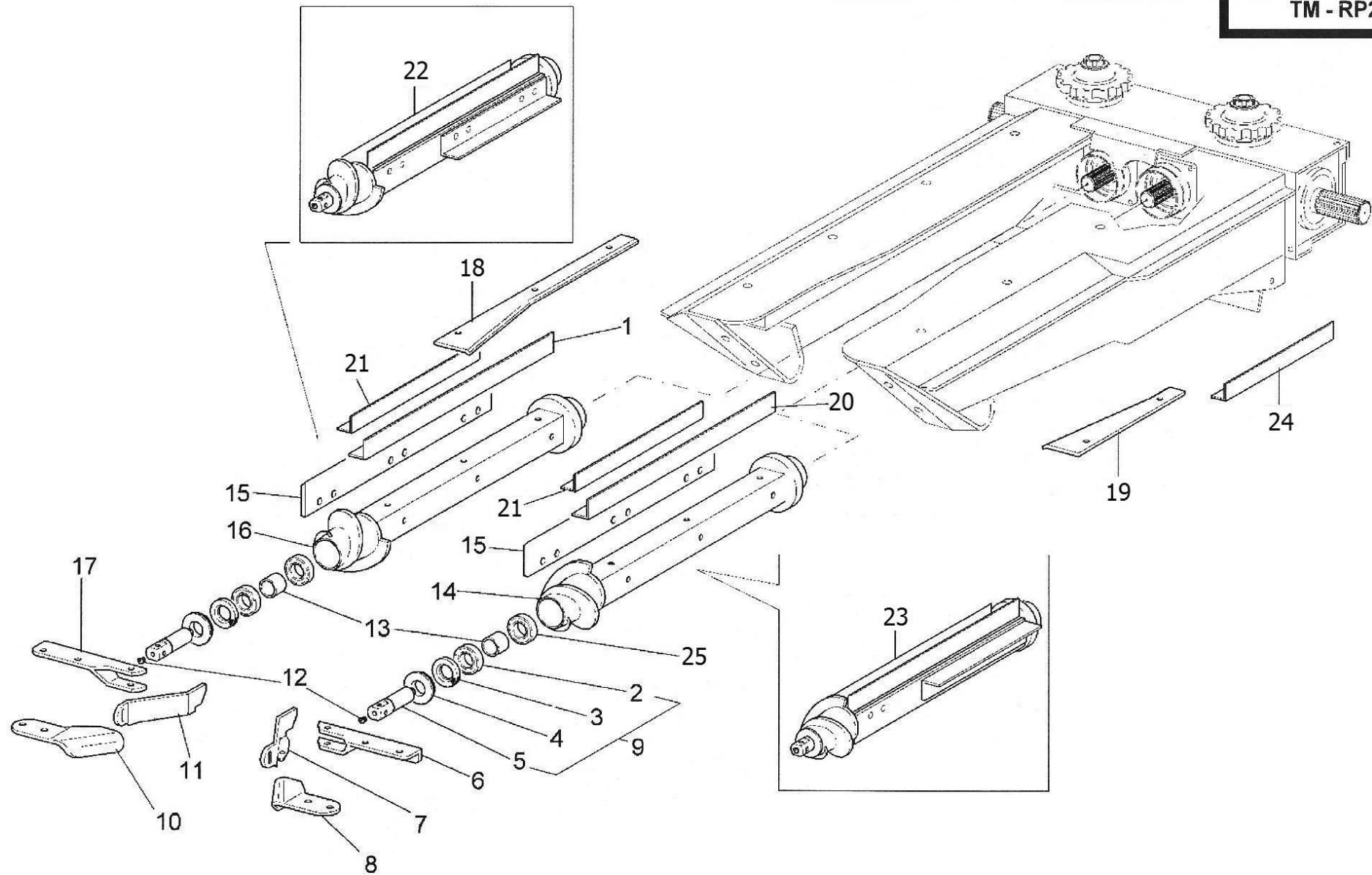
TAB. 02







TM - RP2



TECNO**M**AIS  
metalworkers

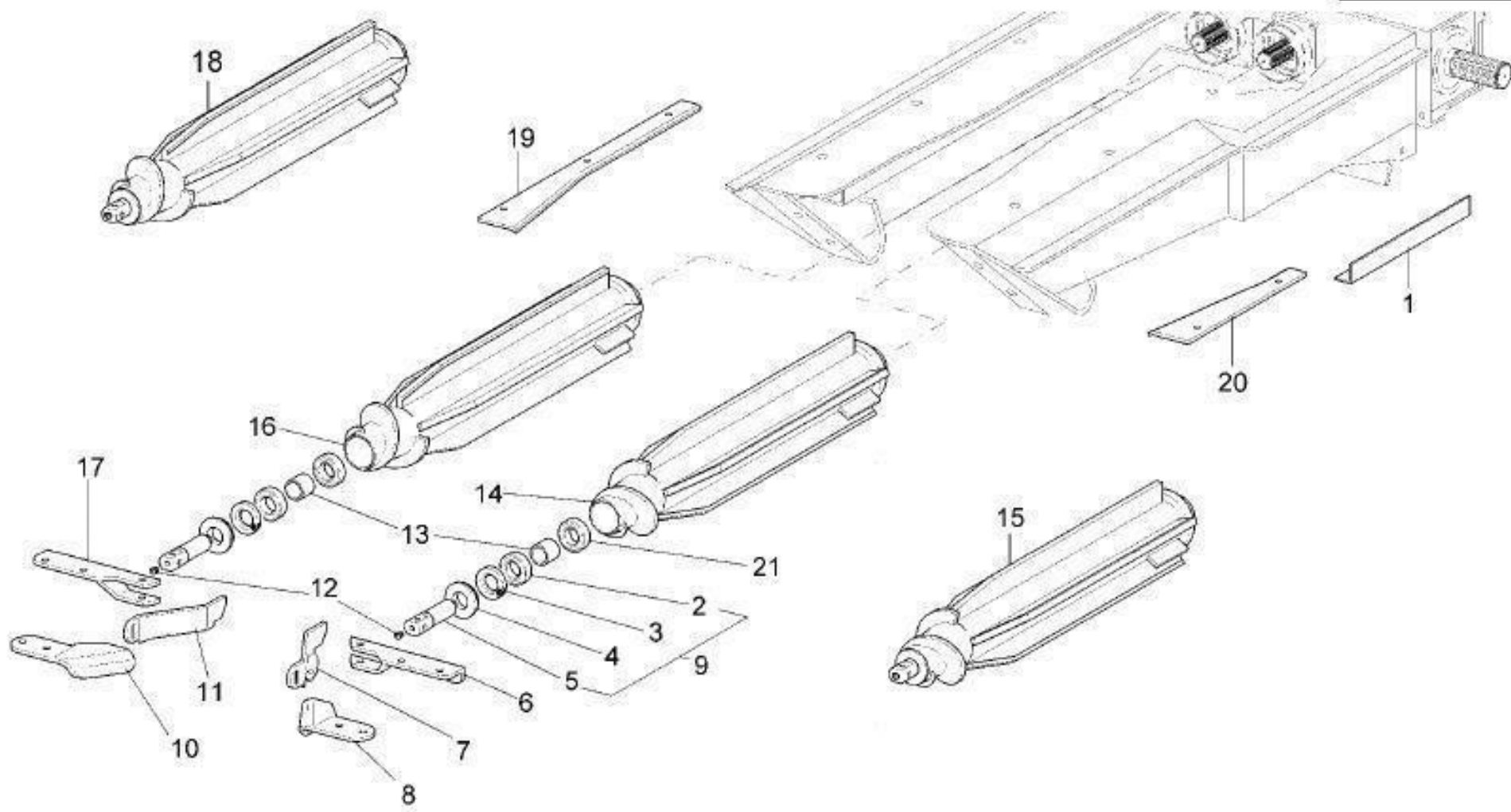
BLADE ROLLERS  
WALZEN MIT MESSER

RULLI A LAME

ROULEAUX AUX LAMES  
CILINDROS A CUCHILLAS

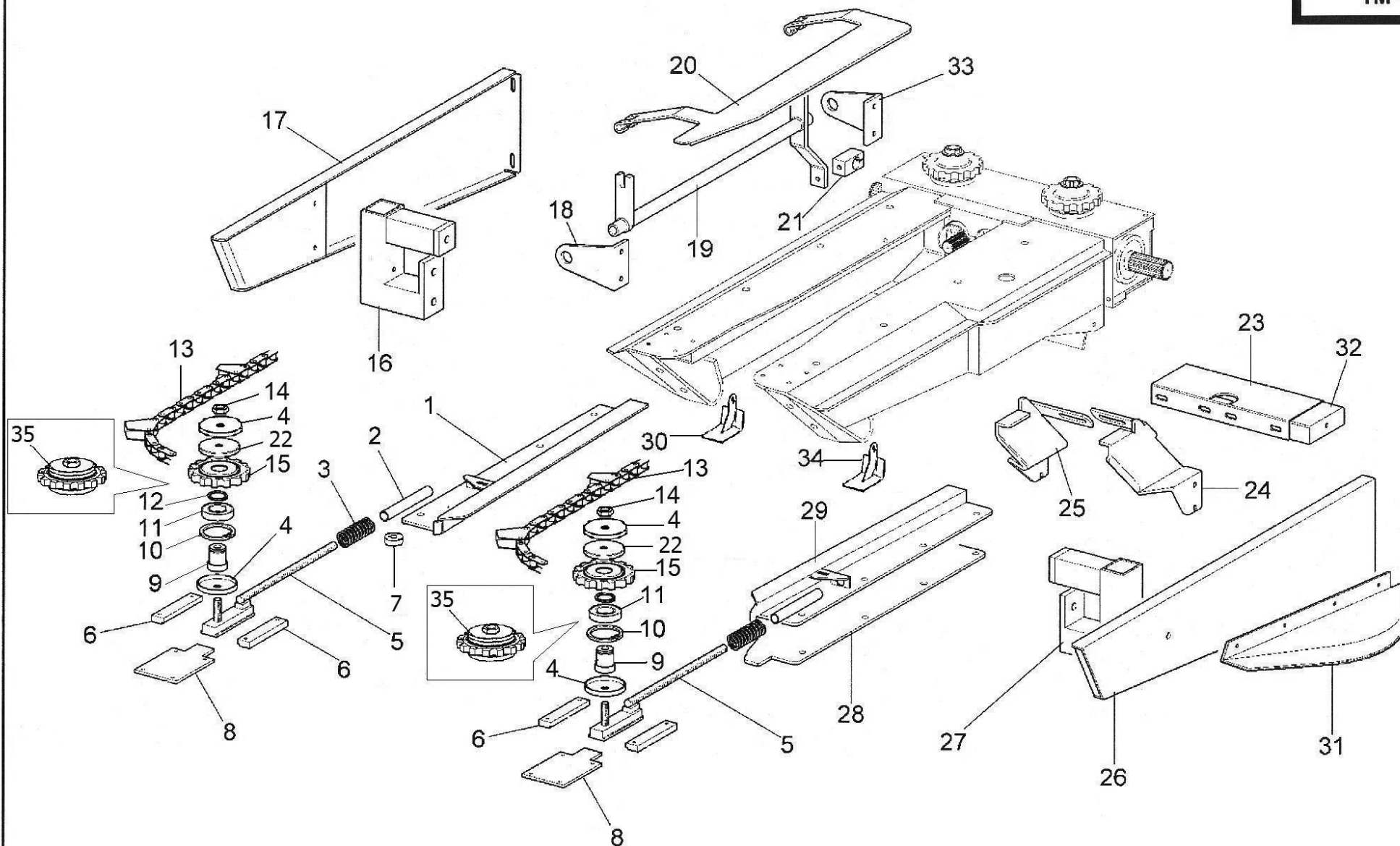
TAB. 04











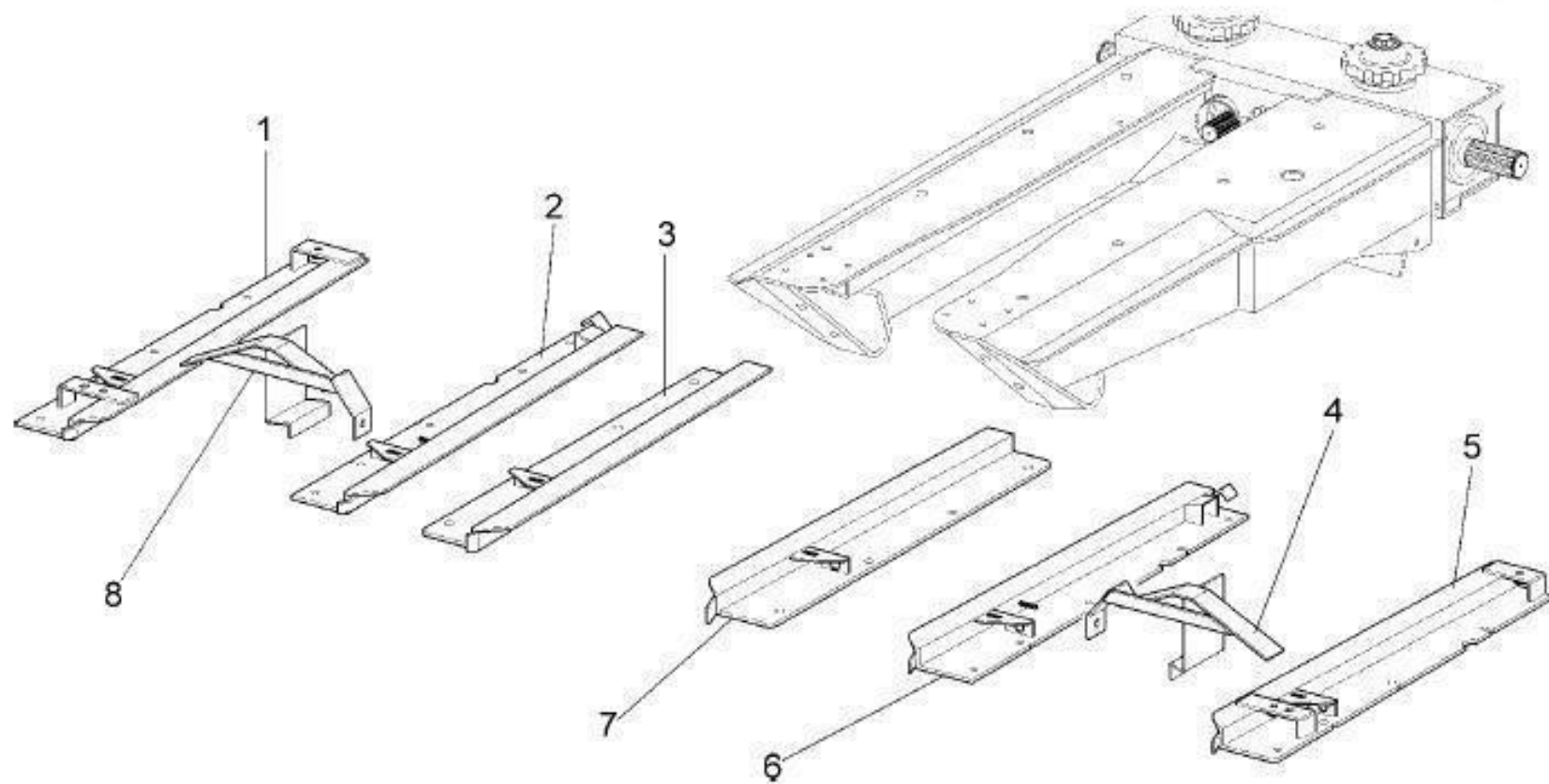
GATHERING UTINT  
PFLUECKGRUPPE

**GRUPPO RACCOGLITORE**

GRUPE RAMASSEUR  
GRUPPO RECOLECTORE

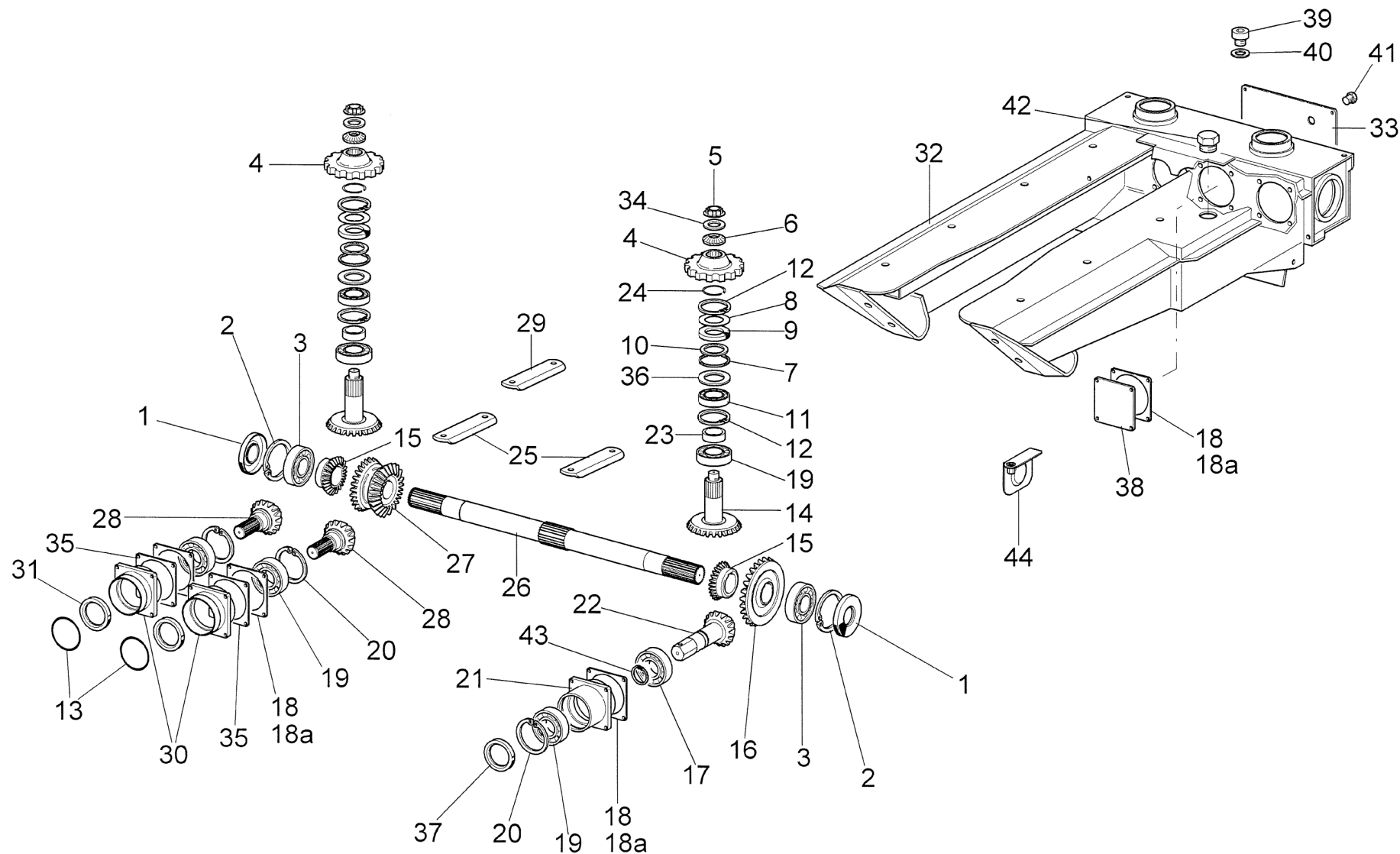
**TAB. 06**





TECNOBIS metalworkers		SCATOLA INGRANAGGI GEARS BOX CAJA ENGRANAJES				TM-RP2		TAV. 08
POS.	CODE	Q.TA'	DESCRIZIONE	DESCRIPTION	DESCRIPTION	DESCRIPCION	НАИМЕНОВАНИЕ	
1	301.035.031		ANELLO DI TENUTA	SEAL RING	JOINT	JUNTA	МАСЛОПРОНИЦАЕМОЕ КОЛЬЦО	
2	302.080.010		ANELLO ELASTICO	RETAINIG RING	ARRETOIR	ANILO DE FRENO	УПРУГОЕ КОЛЬЦО	
3	330.035.050		CUSCINETTO	BEARING ASSY	PALIER	COJINETE	ПОДШИПНИК	
4	265.011.073		PIGNONE	PINION GEAR	PIGNON	PIÑON	ЗУБЧАТОЕ КОЛЕСО	
5	346.020.002		GHIERA M20x1	LOCK RING M20x1	COLLIER DE SERRAGE M20x1	ABRAZADERA M20x1	ГАЙКА M20x1	
6	275.045.077		RONDELLA	WASHER	RONDELLE	ARANDELA	ШАЙБА	
7	302.035.003		ANELLO ELASTICO	RETAINIG RING	ARRETOIR	ANILO DE FRENO	УПРУГОЕ КОЛЬЦО	
8	275.061.076		RONDELLA	WASHER	RONDELLE	ARANDELA	ШАЙБА	
9	301.035.032		ANELLO DI TENUTA	SEAL RING	JOINT	JUNTA	МАСЛОПРОНИЦАЕМОЕ КОЛЬЦО	
10	242.004.057		DISTANZIALE	SPACER	ENTRETOISE	SEPARADOR	РАСПОРКА	
11	330.035.003		CUSCINETTO	BEARING ASSY	PALIER	COJINETE	ПОДШИПНИК	
12	302.062.005		ANELLO ELASTICO	RETAINIG RING	ARRETOIR	ANILO DE FRENO	УПРУГОЕ КОЛЬЦО	
13	365.000.026		OR 2137	OR 2137	OR 2137	JUNTA "O" 2137	OR 2137	
14	264.521.013		PIGNONE Z21	PINION GEAR Z21	PIGNON Z21	PIÑON Z21	ЗУБЧАТОЕ КОЛЕСО Z21	
15	264.514.011		PIGNONE Z14	PINION GEAR Z14	PIGNON Z14	PIÑON Z14	ЗУБЧАТОЕ КОЛЕСО Z14	
16	235.431.009		CORONA Z31	CROWN Z31	COURONNE Z31	CORONA Z31	КОРОНА Z31	
17	330.035.051		CUSCINETTO	BEARING ASSY	PALIER	COJINETE	ПОДШИПНИК	
18	253.105.001		GUARNIZIONE G. SP. 05	GASKET G. SP. 05	JOINT G. SP. 05	EMPAQUETADURA G. SP. 05	ПРОКЛАДКА G. SP. 05	
18a	253.205.003		GUARNIZIONE P. SP. 05	GASKET P. SP. 05	JOINT P. SP. 05	EMPAQUETADURA P. SP. 05	ПРОКЛАДКА P. SP. 05	
19	330.035.015		CUSCINETTO	BEARING ASSY	PALIER	COJINETE	ПОДШИПНИК	
20	302.072.006		ANELLO ELASTICO	RETAINIG RING	ARRETOIR	ANILO DE FRENO	УПРУГОЕ КОЛЬЦО	
21	261.065.094		FLANGIA	FLANGE	BRIDE	BRIDA	ФЛАНЕЦ	
22	264.414.010		PIGNONE Z14	PINION GEAR Z14	PIGNON Z14	PIÑON Z14	ЗУБЧАТОЕ КОЛЕСО Z14	
23	242.013.060		DISTANZIALE	SPACER	ENTRETOISE	SEPARADOR	РАСПОРКА	
24	303.032.007		ANELLO D'ARRESTO	STOP RING	ARRETOIR	ANILO DE FRENO	ПРУЖИННАЯ ШАЙБА	
25	263.060.001		STAFFA	BRACKET	ATTACHE	SOPORTE	СКОБА	
26	201.045.208		ALBERO INT. 75	SHAFT INT. 75	ARBRE INT. 75	EJE INT. 75	ВАЛ INT. 75	
27	235.521.010		CORONA DOPPIA Z21	CROWN Z21	COURONNE Z21	CORONA Z21	ДВОЙНАЯ КОРОНА Z21	
28	264.514.015		PIGNONE Z14	PINION GEAR Z14	PIGNON Z14	PIÑON Z14	ЗУБЧАТОЕ КОЛЕСО Z14	
29	284.000.037		STAFFA	BRACKET	ATTACHE	SOPORTE	СКОБА	
30	422.500.002A		FLANGIA	FLANGE	BRIDE	BRIDA	ФЛАНЕЦ	
31	301.055.012		ANELLO DI TENUTA	SEAL RING	JOINT	JUNTA	МАСЛОПРОНИЦАЕМОЕ КОЛЬЦО	
32	483.000.194		TELAIO	FRAME	CHASSIS	BASTIDOR	СТАНИНА	
33	237.000.015		COPERCHIO	COVER	COUVERCLE	TAPA	КАРТЕР	
34	375.020.072		RONDELLA TS M20	WASHER TS M20	RONDELLE TS M20	ARANDELA	ШАЙБА TS M20	

TM-RP2



GEARS BOX  
CAJA ENGRANAJES

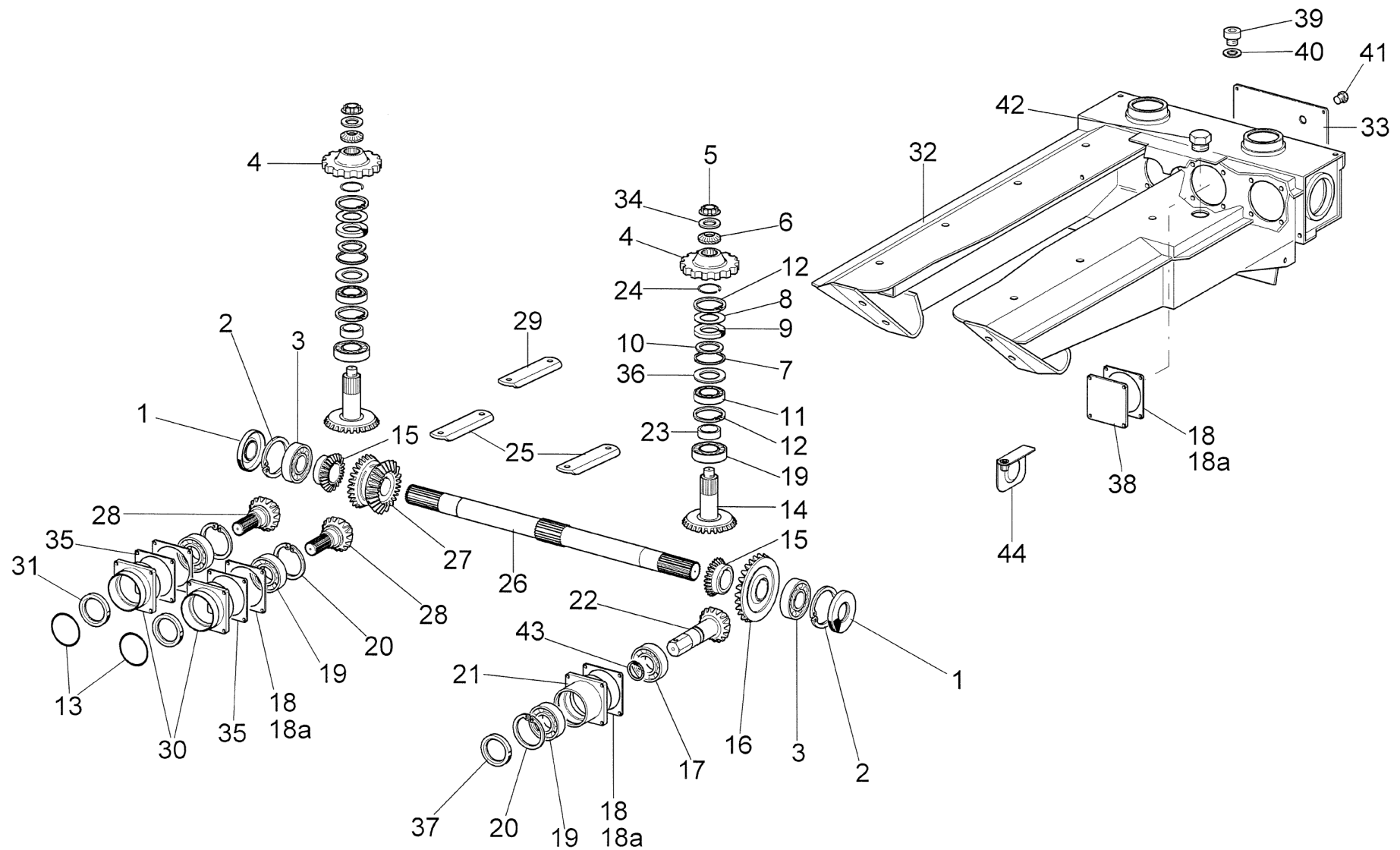
SCATOLA INGRANAGGI

BOITE ENGRENAGES  
КОРОБКА ЗУБЧАТЫХ ПЕРЕДАЧ

TAB. 08



TM-RP2



GEARS BOX  
CAJA ENGRANAJES

SCATOLA INGRANAGGI

BOITE ENGRENAGES  
КОРОБКА ЗУБЧАТЫХ ПЕРЕДАЧ

TAB. 08

## TRINCIASTOCCHI

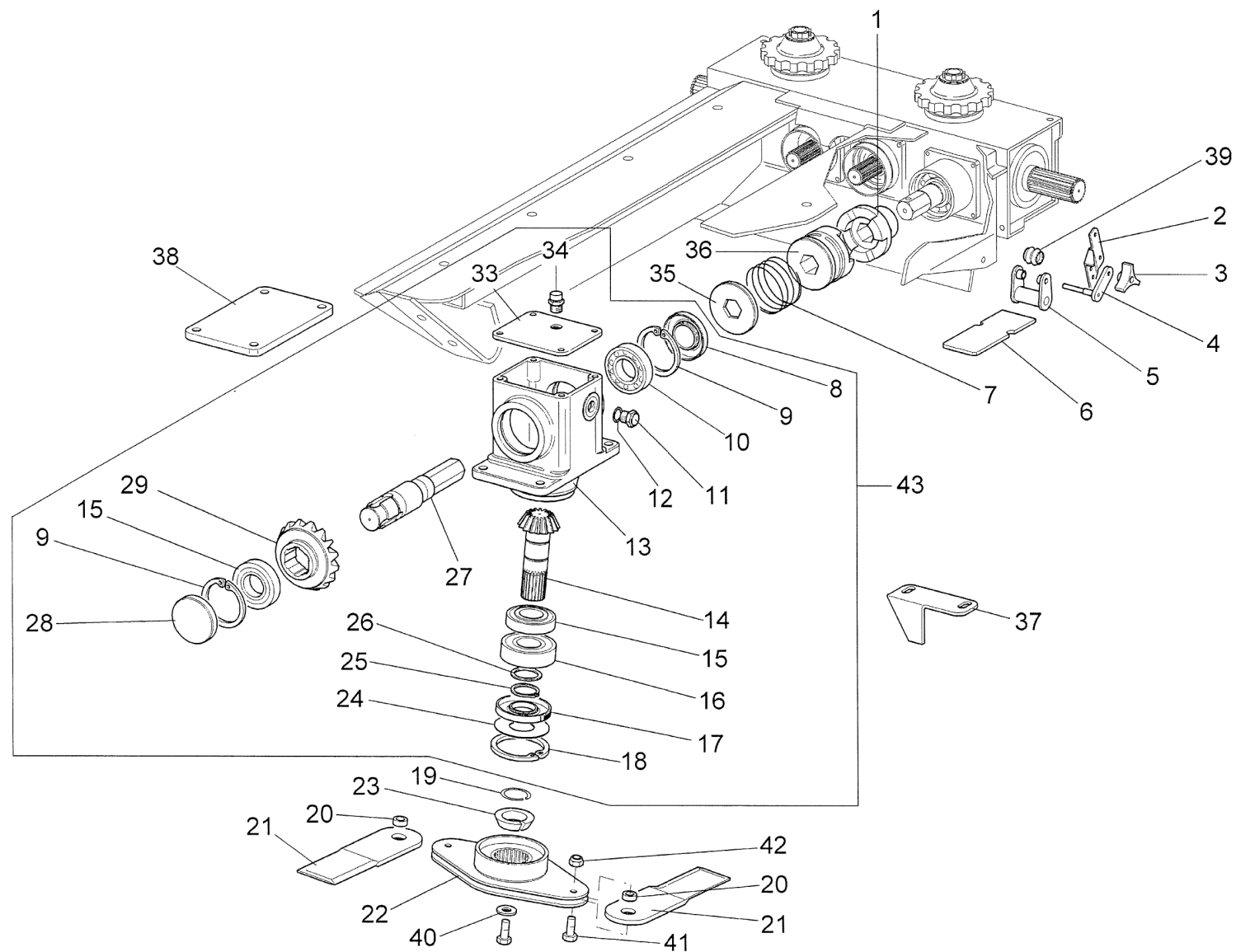
STALK CHOPPER - BROYEURS - HAECKSLER - CORTA-TALLOS

TM-RP2

TAV. 09

POS.	CODICE	NOTE	DESCRIZIONE	DESCRIPTION	DESCRIPTION	BESCHREINUNG	DESCRIPCIÓN
1	255003017		INNESTO	CLUTCH	RACCORD	RUTSCHKUPPLUNG	RACOR
2	256002245		LAMIERA REGISTRO	AKJUSTER SHEET	TOLE DE REGLAGE	BLECH	REGULACIÓN
3	381000006		VOLANTINO	HANDWHEEL	VOLANT	HANDRAD	VOLANTE PEQUENO
4	445000036		LEVA	LEVER	LEVIER	HEBEL	PALANCA
5	424800005		FORCELLA	FORK	FOURCHE	GABEL	HORQUILLA
6	237000016		COPERCHIO	COVER	COUVERCLE	DECKEL	TAPA
7	259060049		MOLLA	SPRING	RESSORT	FEDER	RESORTE
8	301035013		ANELLO TENUTA	SEAL RING	JOINT	O-RING	JUNTA
9	302072006		ANELLO ELASTICO	RETAINING RING	ARRETOIR	SICHERUNGSRUNG	ANILLO DE FRENO
10	330035051		CUSCINETTO	BEARING	ROULEMENT	LAGER	RODAMIENTO
11	385000016		TAPPO C/LIVELLO	PLUG	BOCHON	STOPFEN	TAPON
12	374038002		RONDELLA 3/8	WASHER 3/8	RONDELLE 3/8	SCHEIBE 3/8	ARANDELA 3/8
13	278000008		SCATOLA	BOX	BOITE	GETRIEBEGEHAEUSE	CAJA
14	264413009		PIGNONE	COG-WHEEL	PIGNON	RITZEL	PIÑÓN
15	330035039		CUSCINETTO	BEARING	ROULEMENT	LAGER	RODAMIENTO
16	330035050		CUSCINETTO	BEARING	ROULEMENT	LAGER	RODAMIENTO
17	301035031		ANELLO TENUTA	SEAL RING	JOINT	O-RING	JUNTA
18	302080010		ANELLO ELASTICO	RETAINING RING	ARRETOIR	SICHERUNGSRUNG	ANILLO DE FRENO
19	303032007		ANELLO D'ARRESTO	STOP RING	ANNEAU	RING	ANILLO
20	218006005		BOCCOLA	BUSHING	DOUILLE, BAGUE	BUCHSE	CASQUILLO
21	271060030		LAMA	BLADE	COUTEAU	MESSER	CUCHILLO
22	478000303		SUPPORTO	SUPPORT	SUPPORT	HALTERUNG	SOPORTE
23	210050086		BUSSOLA	BUSH	DOUILLE	BUCHSE	ESPACIADOR
24	275080096		SPESSORE	SHIM	CALE D'EPAISSEUR	EINSTELLSCHEIBE	SUPLEMENTO
25	302035003		ANELLO ELASTICO	RETAINING RING	ARRETOIR	SICHERUNGSRUNG	ANILLO DE FRENO
26	375035049		SPESSORE	SHIM	CALE D'EPAISSEUR	EINSTELLSCHEIBE	SUPLEMENTO
27	201000309		ALBERO	SHAFT	ARBRE	KUPPLUNG	EMBRAGUE
28	385000002		TAPPO CHIUSURA	PLUG	BOCHON	STOPFEN	TAPON
29	235427008		CORONA	CROWN	COURONNE; pignon	ZAHNKRANZ	CORONA
30							
31							
32							
33	237000020		COPERCHIO	COVER	COUVERCLE	DECKEL	TAPA
34	385000017		TAPPO C/SFIATO	PLUG	BOCHON	STOPFEN	TAPON
35	275045094		RONDELLA	WASHER	RONDELLE	SCHEIBE	ARANDELA
36	255003025		INNESTO FEMMINA	CLUTCH	RACCORD	RUTSCHKUPPLUNG	RACOR

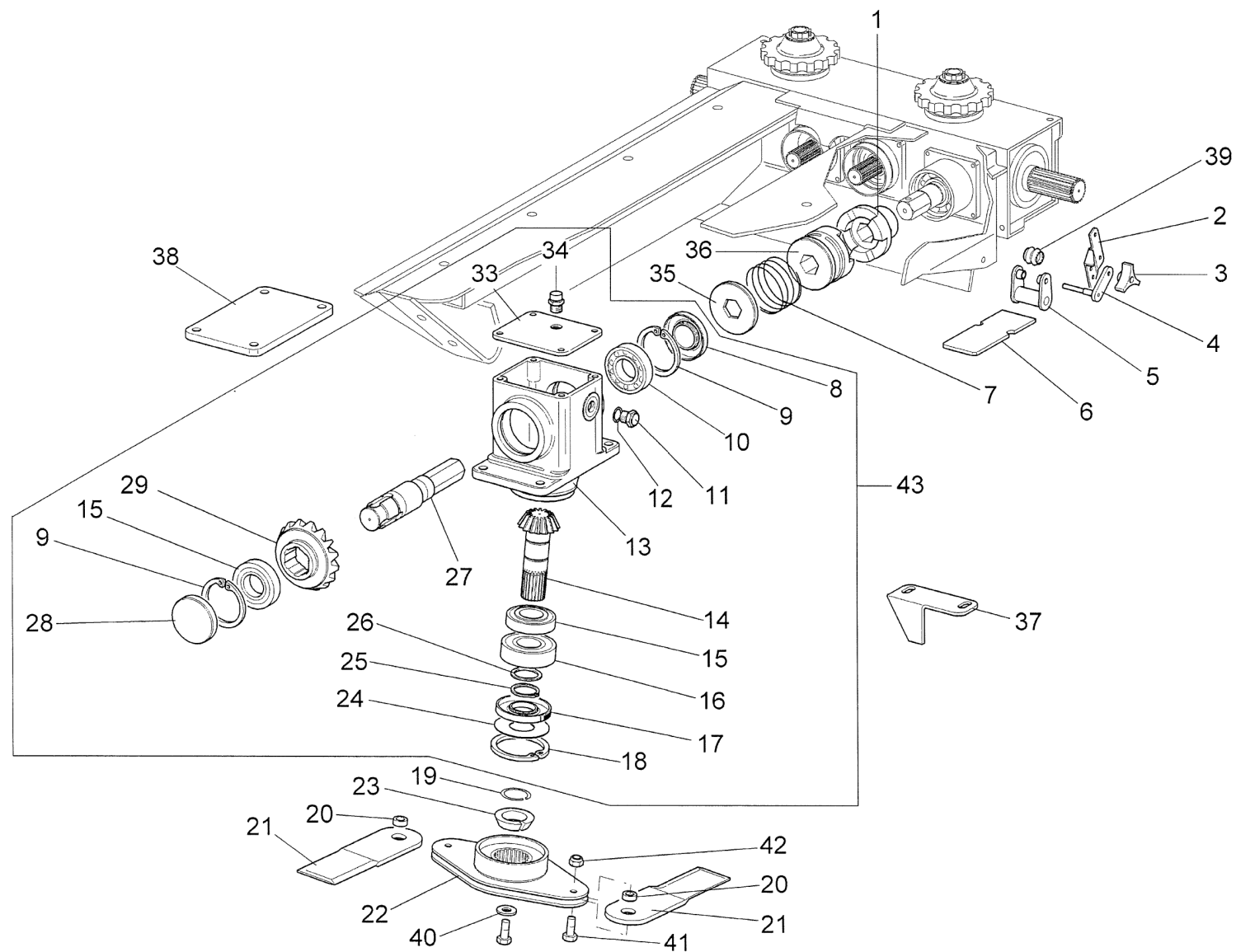




**TRINCIASTOCCHI**  
 STALK CHOPPER  
 PICADOR DE CANAS DE MAIZ  
 DECHAUMEUSE  
 УЗЕЛ ОБРЕЗКИ

**TAB. 09**





**TRINCIASTOCCHI**  
 STALK CHOPPER  
 PICADOR DE CANAS DE MAIZ

**TAB. 09**  
 DECHAUMEUSE  
 УЗЕЛ ОБРЕЗКИ

# TRASMISSIONE FRA I GRUPPI

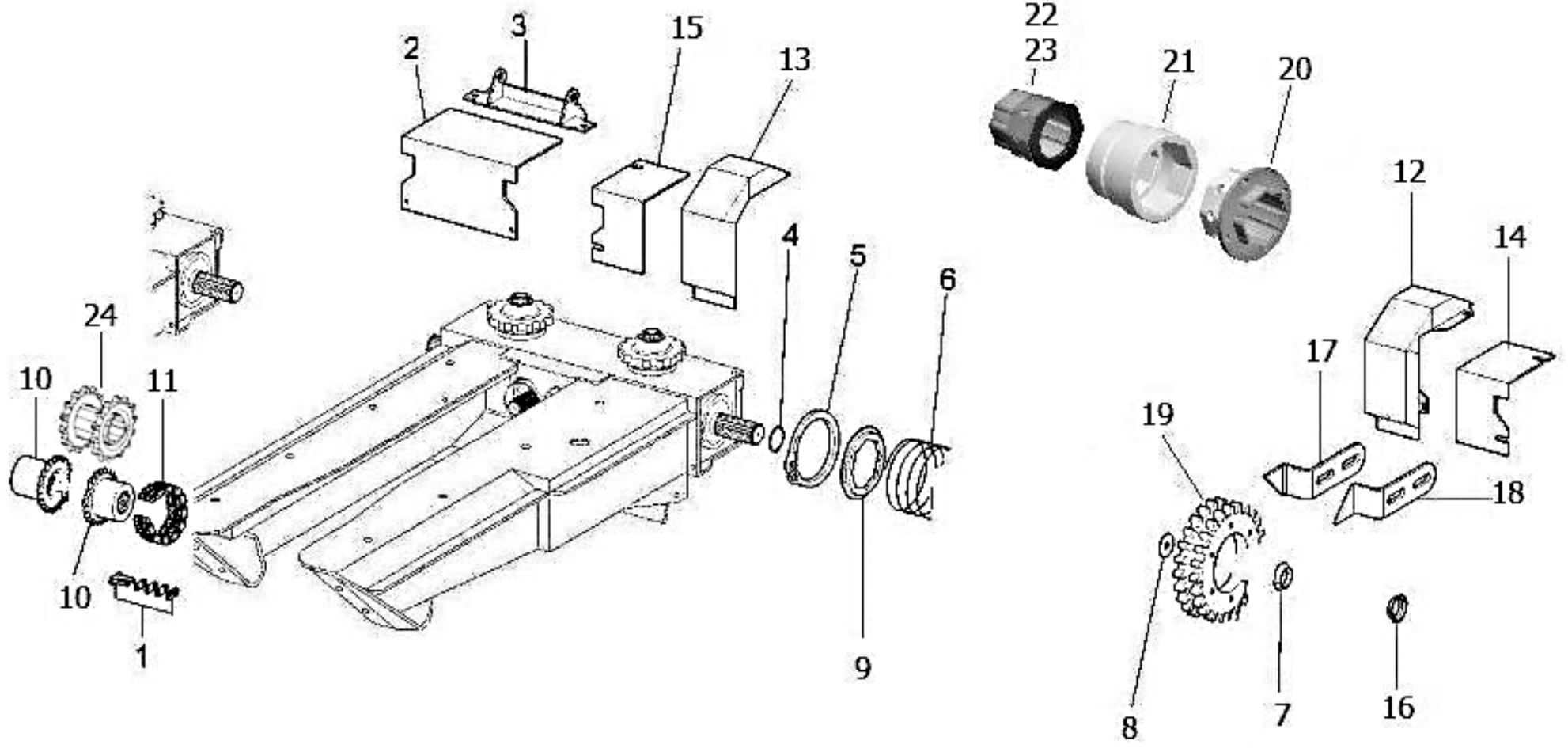
TRANSMISSION - TRANSMISSION - ANTRIEB - TRANSMISIÓN

TM-RP2

TAV. 10

POS.	CODICE	NOTE	DESCRIZIONE	DESCRIPTION	DESCRIPTION	BESCHREINUNG	DESCRIPCIÓN
1	345019020		GIUNZIONE ASA60 DOPPIA	CONNECTION	RACCORD ASA60 DOUBLE	VERBINDUNG	RACORD
2	224015526		CARTER INTERFILE 70	GUARD 70	PROTECTION ECART. 70	SCHUTZ	PROTECCIÓN
2	224015466		CARTER INTERFILE 75	GUARD 75	PROTECTION ECART. 75	SCHUTZ	PROTECCIÓN
2	224015553		CARTER INTERFILE 77,5	GUARD 77,5	PROTECTION ECART. 77,5	SCHUTZ	PROTECCIÓN
2	224015506		CARTER INTERFILE 80	GUARD 80	PROTECTION ECART. 80	SCHUTZ	PROTECCIÓN
3	478000327		INCERNIERAM. COFANO 70	COVER FIXING 70	FIXAGE CAPOT 70	SCHARNIER	BISAGRA
3	478000307		INCERNIERAM. COFANO 75	COVER FIXING 75	FIXAGE CAPOT 75	SCHARNIER	BISAGRA
3	478000413		INCERNIERAM. COFANO 77,5	COVER FIXING 77,5	FIXAGE CAPOT 77,5	SCHARNIER	BISAGRA
3	478000337		INCERNIERAM. COFANO 80	COVER FIXING 80	FIXAGE CAPOT 80	SCHARNIER	BISAGRA
4	303032007		ANELLO ARROW 32	RING ARROW 32	ANNEAU ARROW 32	RING	ANILLO
5	302095025		ANELLO SEEGER E 95 UNI 7535	RING SEEGER E 95 UNI 7535	ANNEAU SEEGER E 95 UNI 7535	RING	ANILLO
6	259000064		MOLLA INNESTO TMRP2	CLUTCH SPRING	RESSORT RACCORD TMRP2	FEDER	RESORTE
7	210041104		DISTANZIALE CALETTATO	SPACER	ENTRETOISE	DISTANZSTUECK	ESPACIADOR
8	275040072		RONDELLA	WASHER	RONDELLE	SCHEIBE	ARANDELA
9	480000095		FLANGIA FERMO MOLLA	HUB FLANGE	FLASQUE POUR RESSORT	LEGERFLANSCH	BRIDA
10	265014076B		GIUNTO COLLEGAMENTO	JOINT	JOINT	KETTENSCHLOSS	JUNTA
11	320019005		CATENA ASA 60-2 14 MAGLIE	CHAIN ASA 60-2 14 LINK	CHAINE ASA 60-2 14 MAILLONS	KETTE	CADENA
12	224015723		CARTER FRIZIONE SINISTRO	LH GUARD CLUTCH	PROTECTION SECURITE G	SCHUTZ	PROTECCIÓN
13	224015722		CARTER FRIZIONE DESTRO	RH GUARD CLUTCH	PROTECTION SECURITE D	SCHUTZ	PROTECCIÓN
14	224015725		CARTER SINISTRO INT. 75	GUARD 75	PROTECTION ECART. 75	SCHUTZ	PROTECCIÓN
14	224015727		CARTER SINISTRO INT. 80	GUARD 80	PROTECTION ECART. 80	SCHUTZ	PROTECCIÓN
15	224015724		CARTER DESTRO INT. 75	GUARD 75	PROTECTION ECART. 75	SCHUTZ	PROTECCIÓN
15	224015726		CARTER DESTRO INT. 80	GUARD 80	PROTECTION ECART. 80	SCHUTZ	PROTECCIÓN
16	210041103		DISTANZIALE CALETTATO	SPACER	ENTRETOISE	DISTANZSTUECK	ESPACIADOR
17	274035045		RASCHIATORE	SCRAPER	RACLEUR	RADIERMESSER L.	CONTRA-CUCHILLA
18	274035043		RASCHIATORE	SCRAPER	RACLEUR	RADIERMESSER L.	CONTRA-CUCHILLA
19	236027106		CORONA Z 27 3/4 DOPPIA	CROWN Z 27 3/4 DOUBLE	PIGNON Z 27 3/4 DOUBLE	ZAHNKRANZ	CORONA
19	236028136		CORONA Z 28 3/4 DOPPIA	CROWN Z 28 3/4 DOUBLE	PIGNON Z 28 3/4 DOUBLE	ZAHNKRANZ	CORONA
19	236030134		CORONA Z 30 3/4 DOPPIA	CROWN Z 30 3/4 DOUBLE	PIGNON Z 30 3/4 DOUBLE	ZAHNKRANZ	CORONA
20	426000066		FRIZIONE QUADRA 1200 Nm	CLUTCH SQUARE 1200 Nm	SECURITE CARRE' 1200 Nm	FEDER	RESORTE
20	426000070		FRIZIONE QUADRA 1500 Nm	CLUTCH SQUARE 1500 Nm	SECURITE CARRE' 1500 Nm	FEDER	RESORTE
21	440000033		INNESTO QUADRO 75	CLUTCH 75	CLOCHE CARRE' 75	RUTSCHKUPPLUNG	MANGUITO
21	440000034		INNESTO QUADRO 80	CLUTCH 80	CLOCHE CARRE' 80	RUTSCHKUPPLUNG	MANGUITO
22	426000067		FRIZIONE QUADRA 1200 Nm	CLUTCH SQUARE 1200 Nm	SECURITE CARRE' 1200 Nm	FEDER	RESORTE
23	426000068		FRIZIONE QUADRA 1500 Nm	CLUTCH SQUARE 1500 Nm	SECURITE CARRE' 1500 Nm	FEDER	RESORTE
24	464200018		GIUNTO DOPPIO Z 14	JOINT	JOINT Z14	KETTENSCHLOSS	JUNTA

TM-RP2



TECNO<sup>W</sup>ALS  
metal works

TRANSMISSION  
ANTRIEB

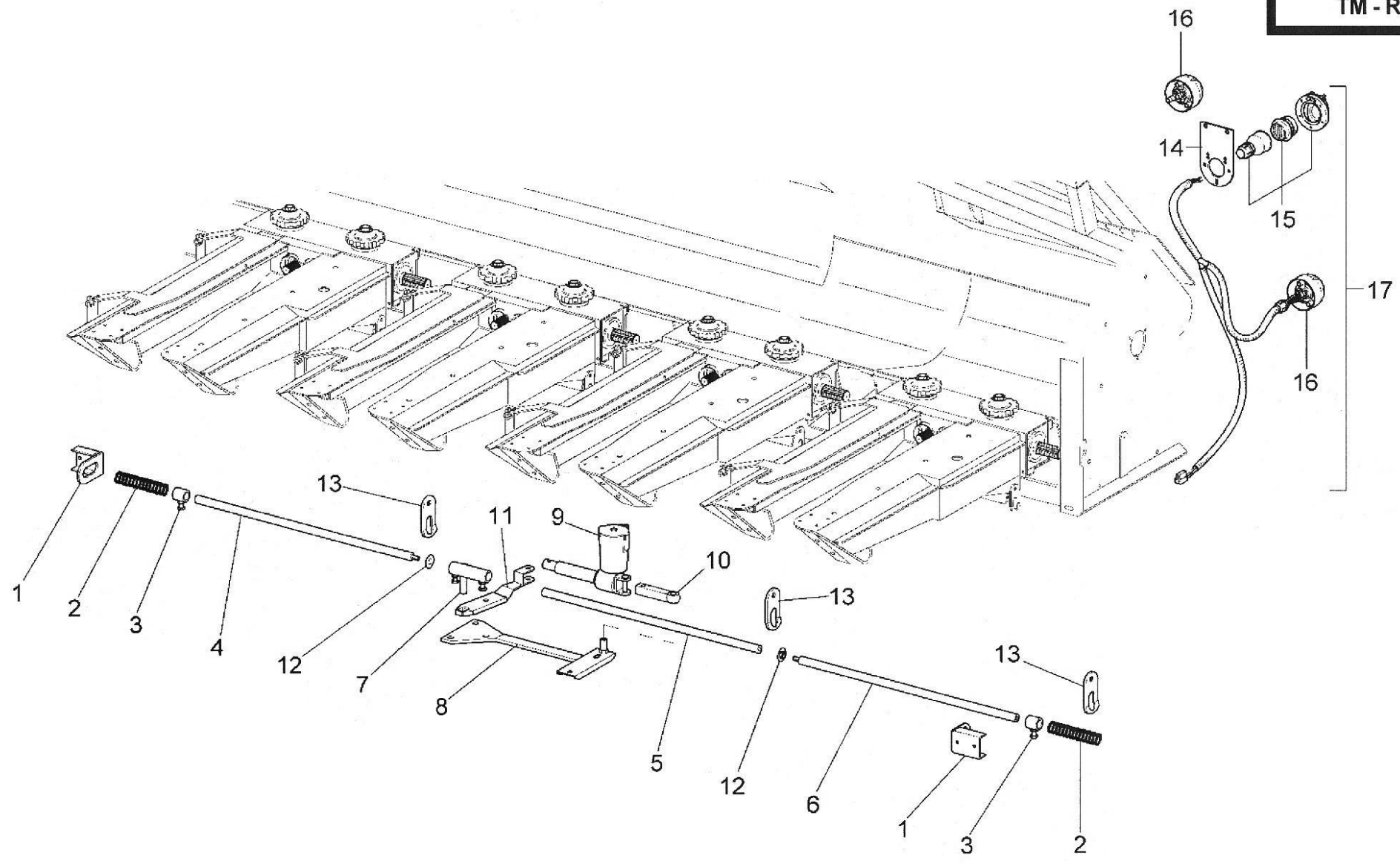
TRASMISSIONE

TRANSMISSION  
TRANSMISSION

TAB. 10



TM - RP2



**COMANDO LAME ELETTRICO**  
ELECTRIC BLADE CONTROL  
STEUERUNG ELEKTRISCHEN MESSER

CONTROLE LAMES ELECTRIQUES  
MANDO CUCHILLOS ELECTRICOS

TAB. 11

# COFANI

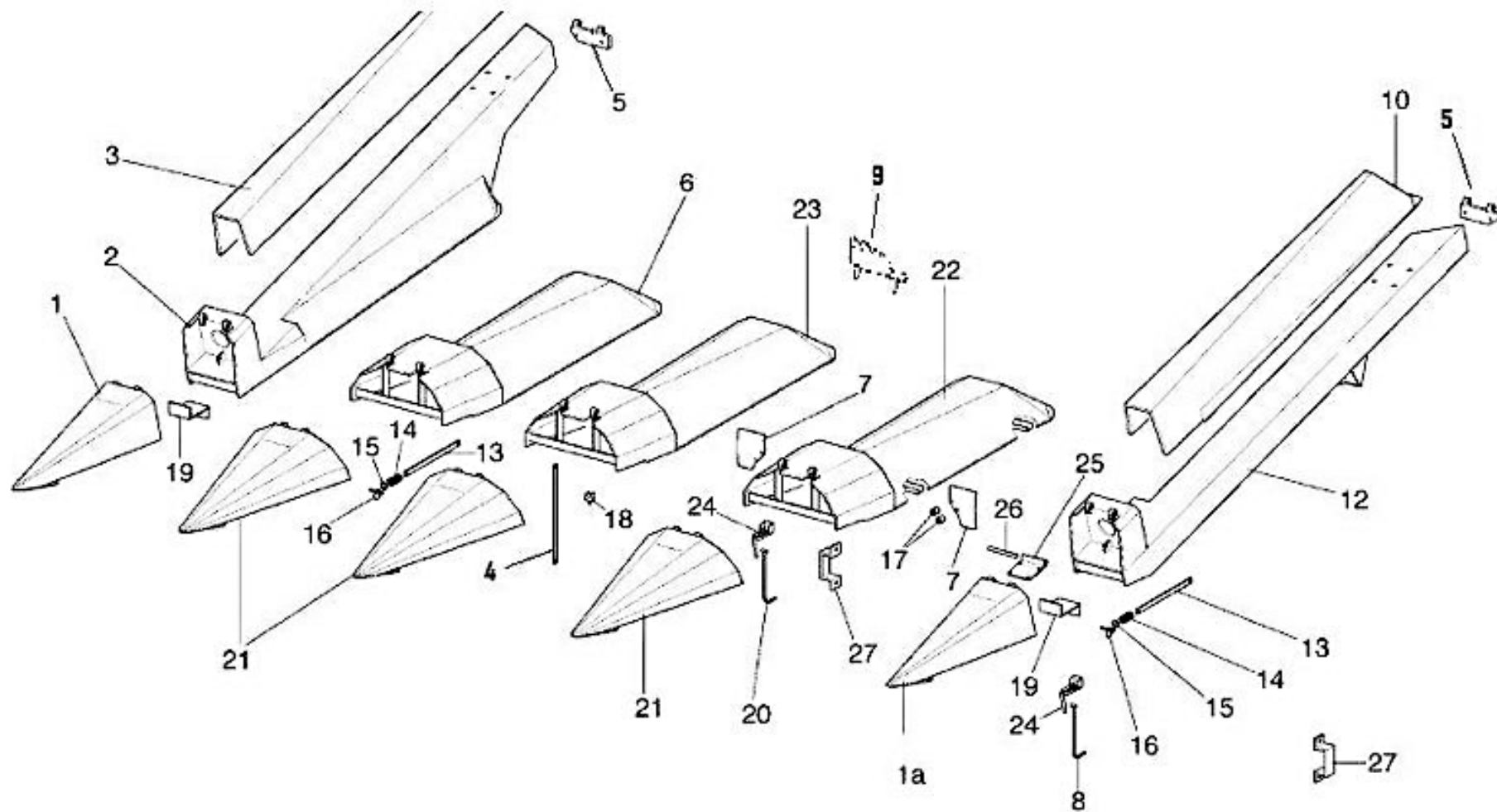
COVERS - CAPOTS - KLAPPBARE - CARENADOS

TM-RP2

TAV. 12

POS.	CODICE	NOTE	DESCRIZIONE	DESCRIPTION	DESCRIPTION	BESCHREINUNG	DESCRIPCIÓN
1	466400046		PUNTA LATERALE DESTRA	RH LATERAL POINT	POINTE LATERALE D	SPITZE R	PUNTA D
1a	466400045		PUNTA LATERALE SINISTRA	LH LATERAL POINT	POINTE LATERALE G	SPITZE L	PUNTA IZ
2	413000089		COFANO LATERALE DESTRO	RH COVER LATERAL	CAPOT LATERAL D	KLAPPBARE R	CARENADO D
3	413000082		PROTEZIONE SUPERIORE DX	RH PROTECTION SUPER.	PROTECTION SUPERIEURE D	SCHUTZ R	PROTECCIÓN D
4	248016028		ASTA PER COFANO	ROD	TIGE CAPOT	STANGE	VARILLA
5	478000267		SUPPORTO POSTERIORE COFANO	COVER SUPPORT POSTERIOR	SUPPORT POSTERIER CAPOT	HALTERUNG	SOPORTE
6	413000086		COFANO RIBALTABILE DX 70	RH FOLDABLE COVER 70	CAPOT REPLIABLE D 70	KLAPPBARE R	CARENADO D
6	413000096		COFANO RIBALTABILE DX 75	RH FOLDABLE COVER 75	CAPOT REPLIABLE D 75	KLAPPBARE R	CARENADO D
6	413000125		COFANO RIBALTABILE DX 80	RH FOLDABLE COVER 80	CAPOT REPLIABLE D 80	KLAPPBARE R	CARENADO D
7	296125006		SOLETTA	COVER RUBBER	CAUTCHOUX CAPOT	GUMMI	GOMA
8	251000005		GANCIO COFANO LATERALE	HOOK	CROCHET CAPOT LATERALE	HAKEN	GANCHO
9	480000038		STAFFA FISSAGGIO COFANO	BRACKET	ETRIER ARRET CAPOT	HALTER	LAÑA
10	413000081		PROTEZIONE SUPERIORE SX	LH PROTECTION SUPER.	PROTECTION SUPERIEURE G	SCHUTZ L	PROTECCIÓN IZ
12	413000090		COFANO LATERALE SINISTRO	LH COVER LATERAL	CAPOT LATERAL G	KLAPPBARE L	CARENADO IZ
13	207020110		ASTA PER PUNTA	ROD	TIGE POINTE	STANGE	VARILLA
14	259065021		MOLLA	SPRING	RESSORT	FEDER	RESORTE
15	275043009		RONDELLA	WASHER	RONDELLE	SCHEIBE	ARANDELA
16	328000004		COPPIGLIA	COTTER PIN	CLAVETTE D'ARRET	SPLINT	PASADOR ABIERTO
17	210008108		BUSSOLA	BUSH	DOUILLE	BUCHSE	ESPACIADOR
18	339020002		FISSATUBO	TUBE FIXING	ARRET TUYAU	ROHRHALTERUNG	SEGURO TUBO
19	284000022		STAFFA REGOLAZIONE	BRACKET	ETRIER REGULATION	HALTER	LAÑA
20	251000012		ASTA PER GANCIO COFANO	ROD	TIGE CAPOT	STANGE	VARILLA
21	466400038		PUNTA COMPLETA 70	POINT	POINTE ECART. 70	SPITZE	PUNTA
21	466400042		PUNTA COMPLETA 75	POINT	POINTE ECART. 75	SPITZE	PUNTA
21	466400074		PUNTA COMPLETA 80	POINT	POINTE	SPITZE	PUNTA
22	413000087		COFANO RIBALTABILE SX 70	LH FOLDABLE COVER 70	CAPOT REPLIABLE G 70	KLAPPBARE L	CARENADO IZ
22	413000097		COFANO RIBALTABILE SX 75	LH FOLDABLE COVER 75	CAPOT REPLIABLE G 75	KLAPPBARE L	CARENADO IZ
22	413000124		COFANO RIBALTABILE SX 80	LH FOLDABLE COVER 80	CAPOT REPLIABLE G 80	KLAPPBARE L	CARENADO IZ
23	413000088		COFANO CENTRALE 70	CENTRAL COVER 70	CAPOT CENTRAL 70	KLAPPBARE ZENTR.	CARENADO CENTRAL
23	413000098		COFANO CENTRALE 75	CENTRAL COVER 75	CAPOT CENTRAL 75	KLAPPBARE ZENTR.	CARENADO CENTRAL
23	413000123		COFANO CENTRALE 80	CENTRAL COVER 80	CAPOT CENTRAL 80	KLAPPBARE ZENTR.	CARENADO CENTRAL
24	448500002		MANIGLIA COFANO	HANDLE	POIGNEE CAPOT	GRIFF	MANECILLA
25	478000345		SUPPORTO PUNTA	POINT SUPPORT	SUPPORT POINTE	HALTERUNG	SOPORTE
26	203012171		PERNO	PIN	AXE	BOLZEN	EJE
27	243000003		FERMO	STOP	GUEPILLE	BEUCHSE	CASQUILLO





**COFANI**

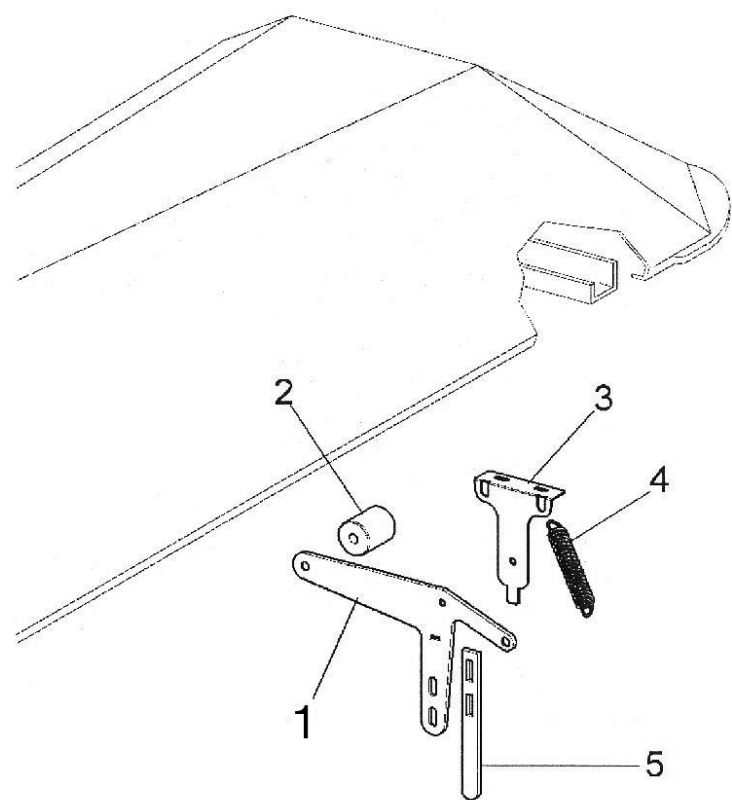
COVERS

KLAPPBARE

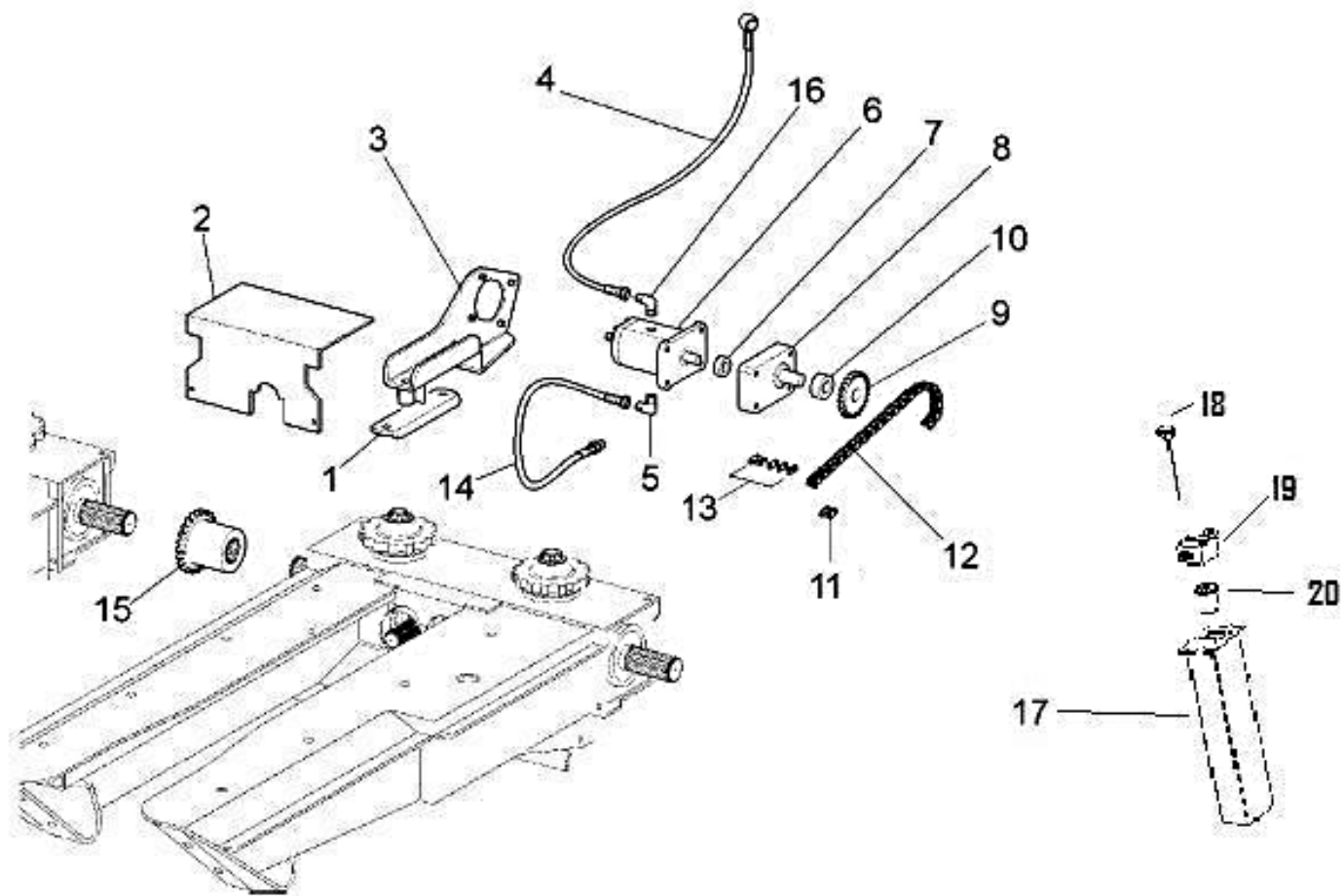
CAPOTS

CARENADOS









TECNOBIS  
metalworkers

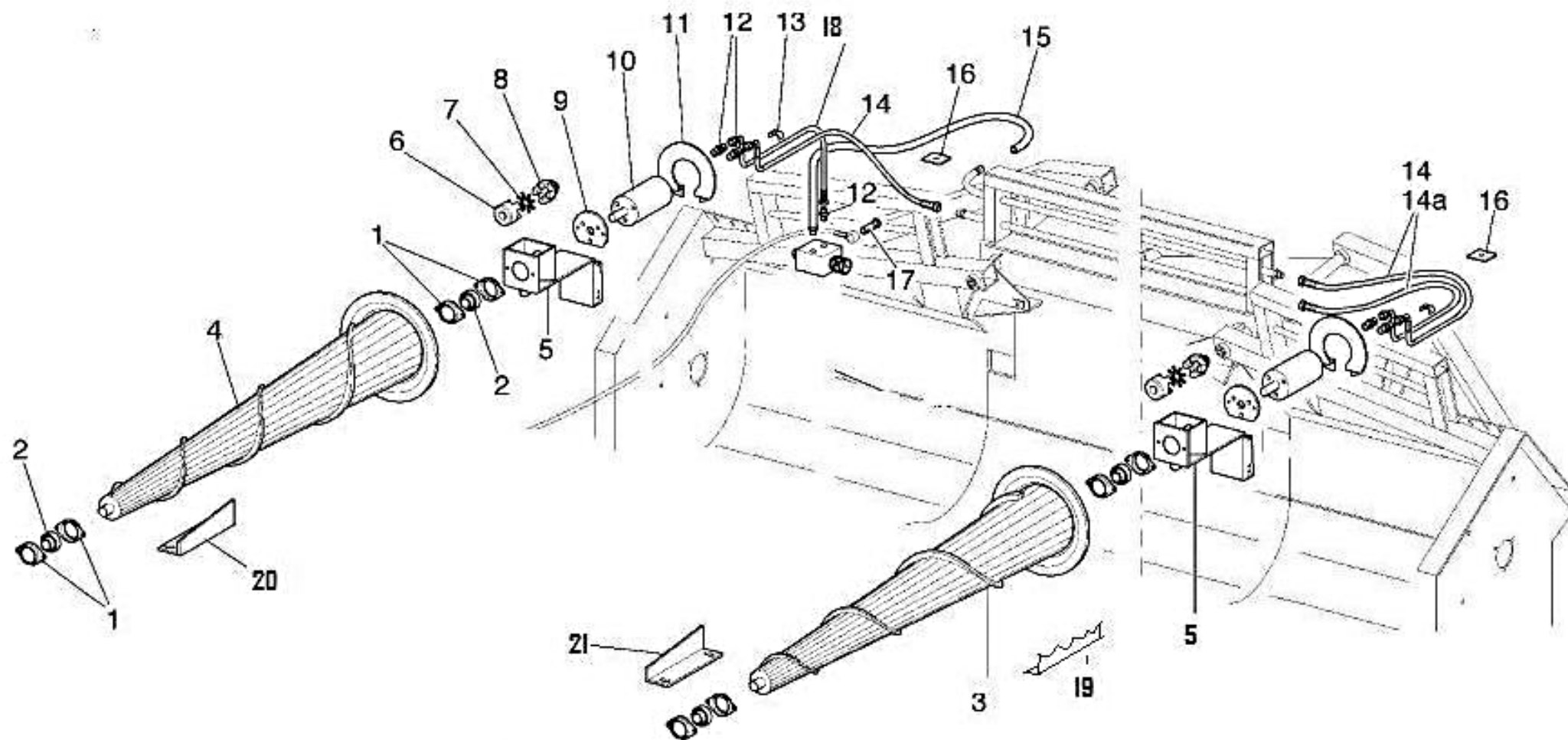
PUMP WORMSCREW  
PUMPE SCHNECKE

POMPA COCLEA

POMPE VIS  
BOMBATORNILLO

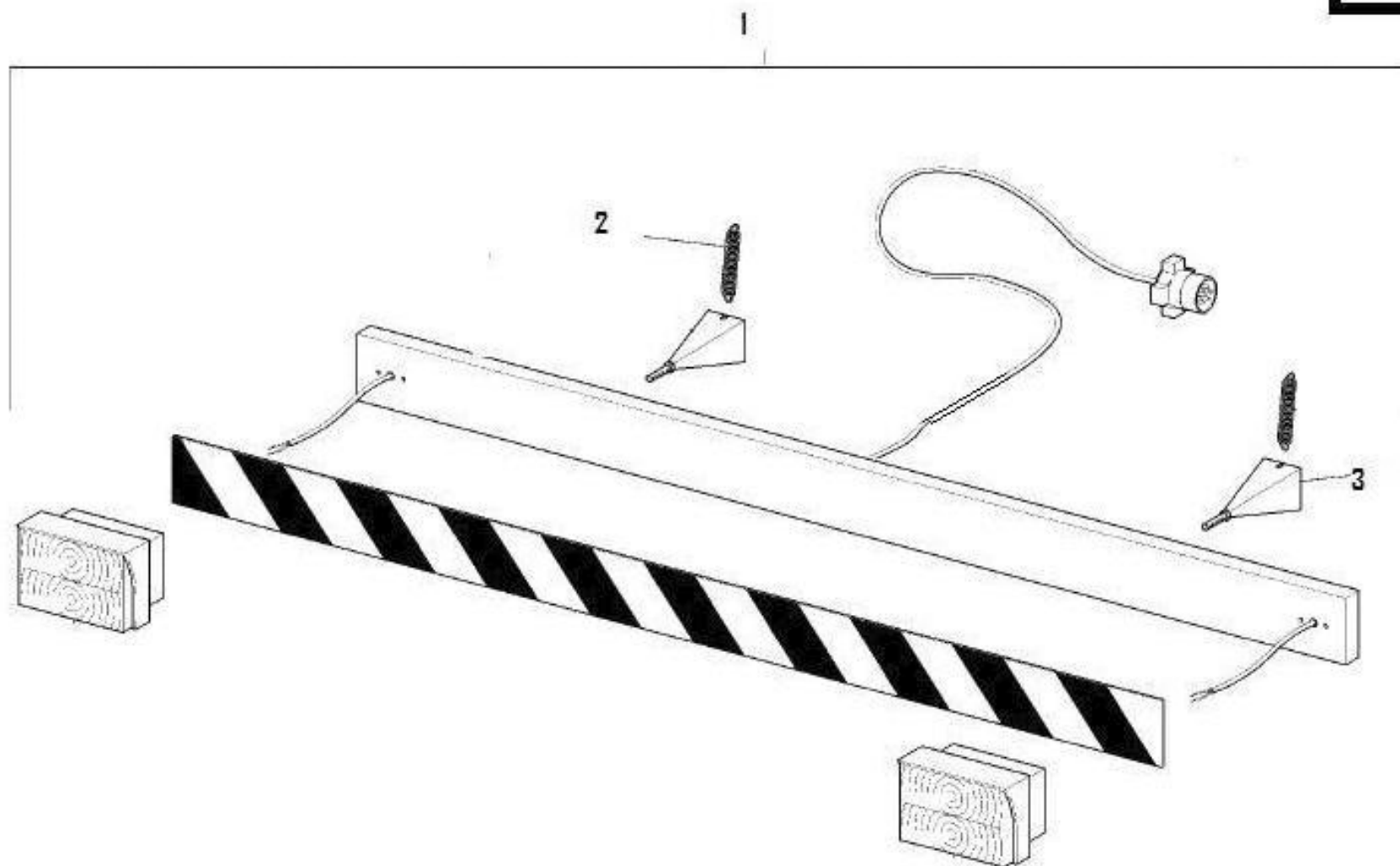
TAB. 14











**BARRA LUCI**

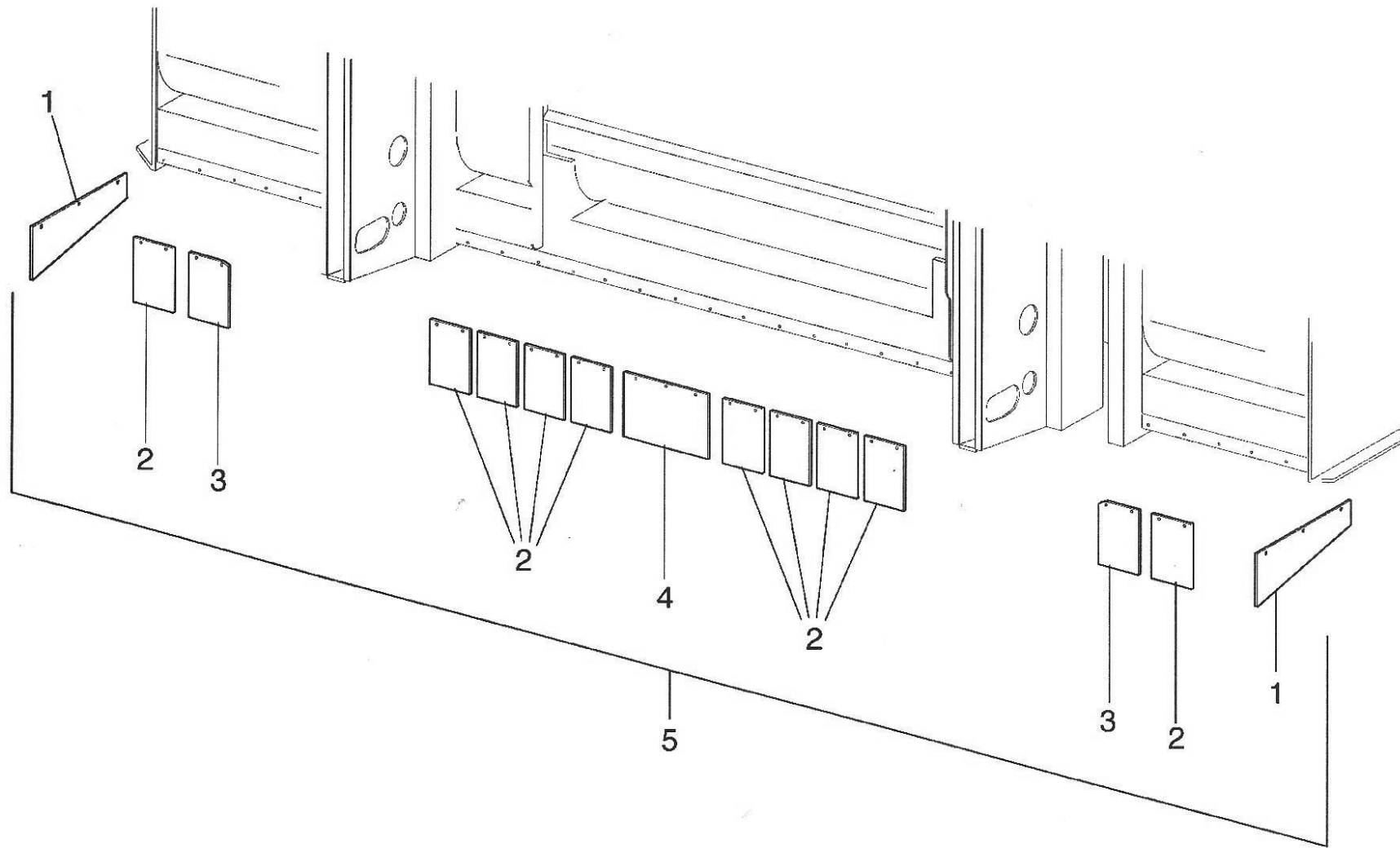
LIGHT BAR

BARRE LUMIERES

LICHTSTANGE

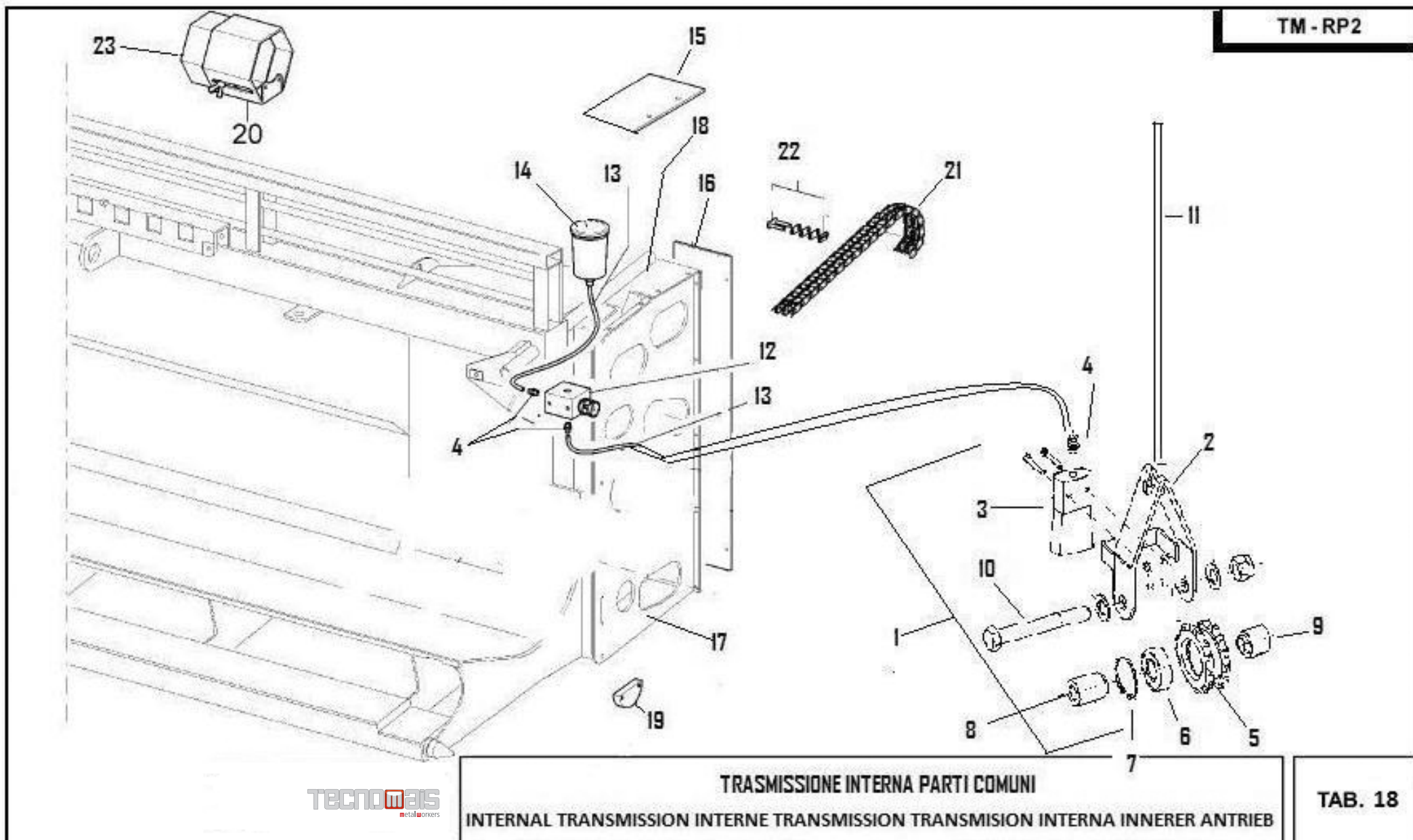
BARRA LUCES







TM - RP2

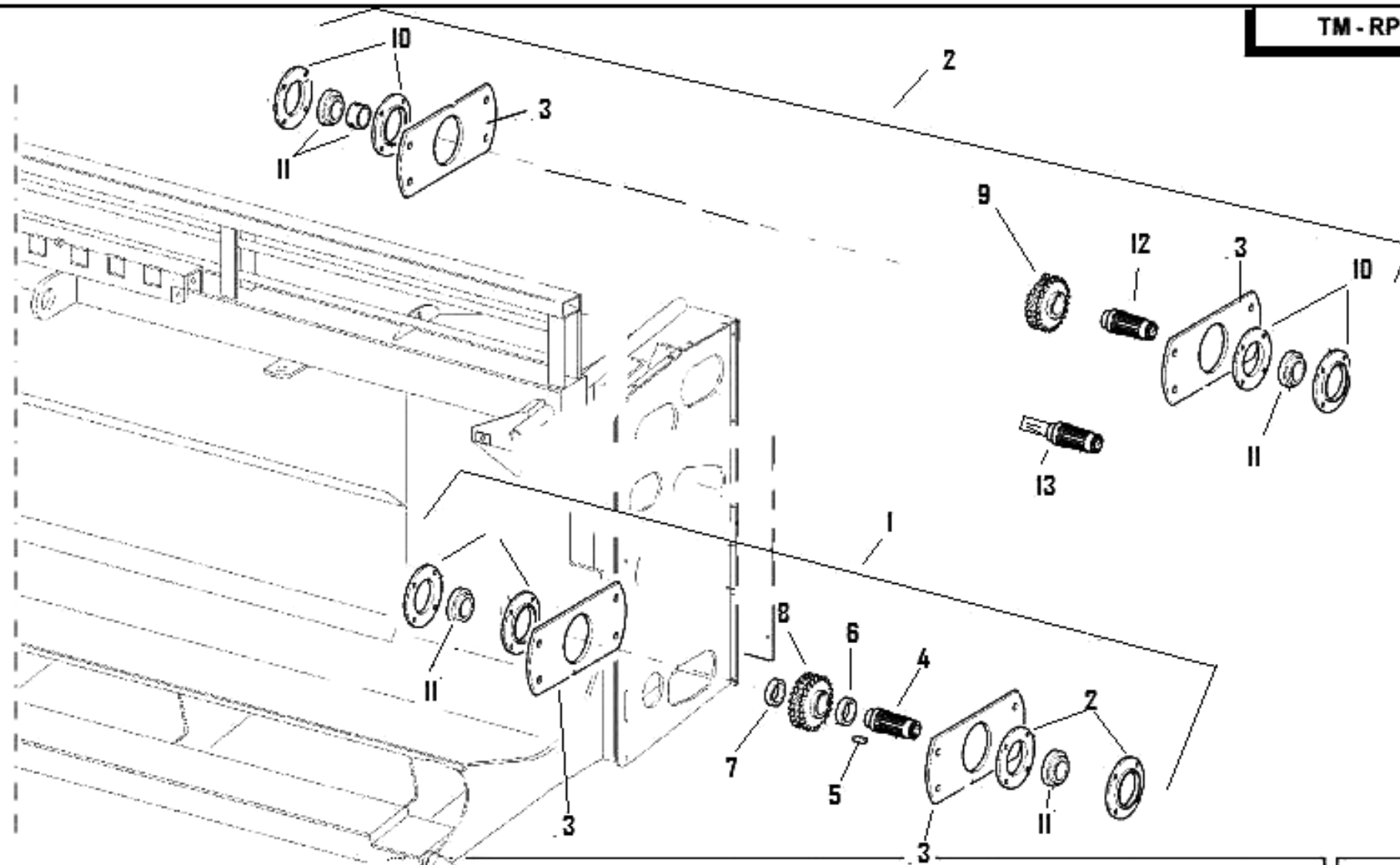


TECNO **MAIS**  
metalworkers

TRASMISSIONE INTERNA PARTI COMUNI  
INTERNAL TRANSMISSION INTERNE TRANSMISSION TRANSMISSION INTERNA INNERER ANTRIEB

TAB. 18





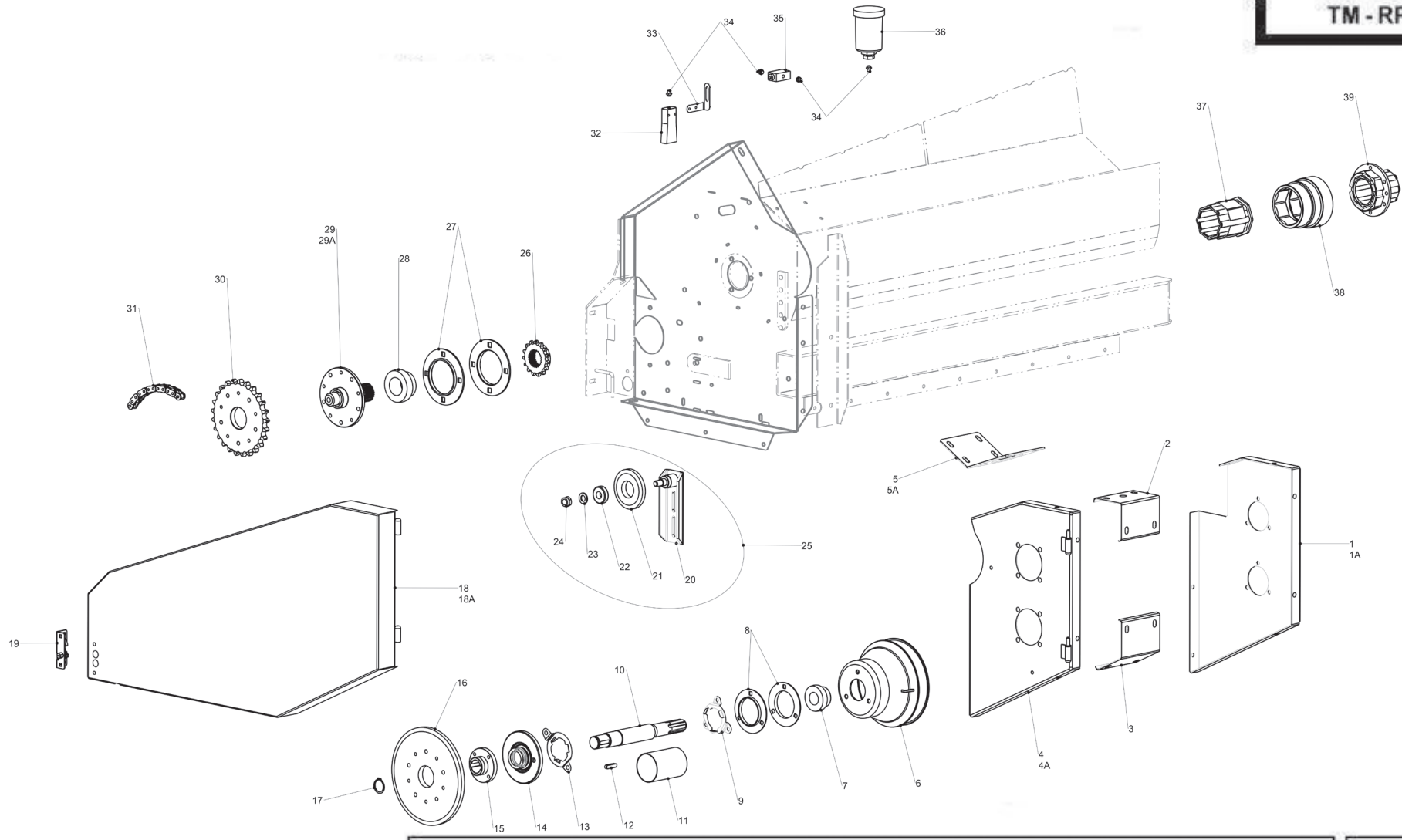
TRASMISSIONE INTERNA PARTI COMUNI

INTERNAL TRANSMISSION INTERNE TRANSMISSION TRANSMISSION INTERNA INNERER ANTRIEB





TM - RP2

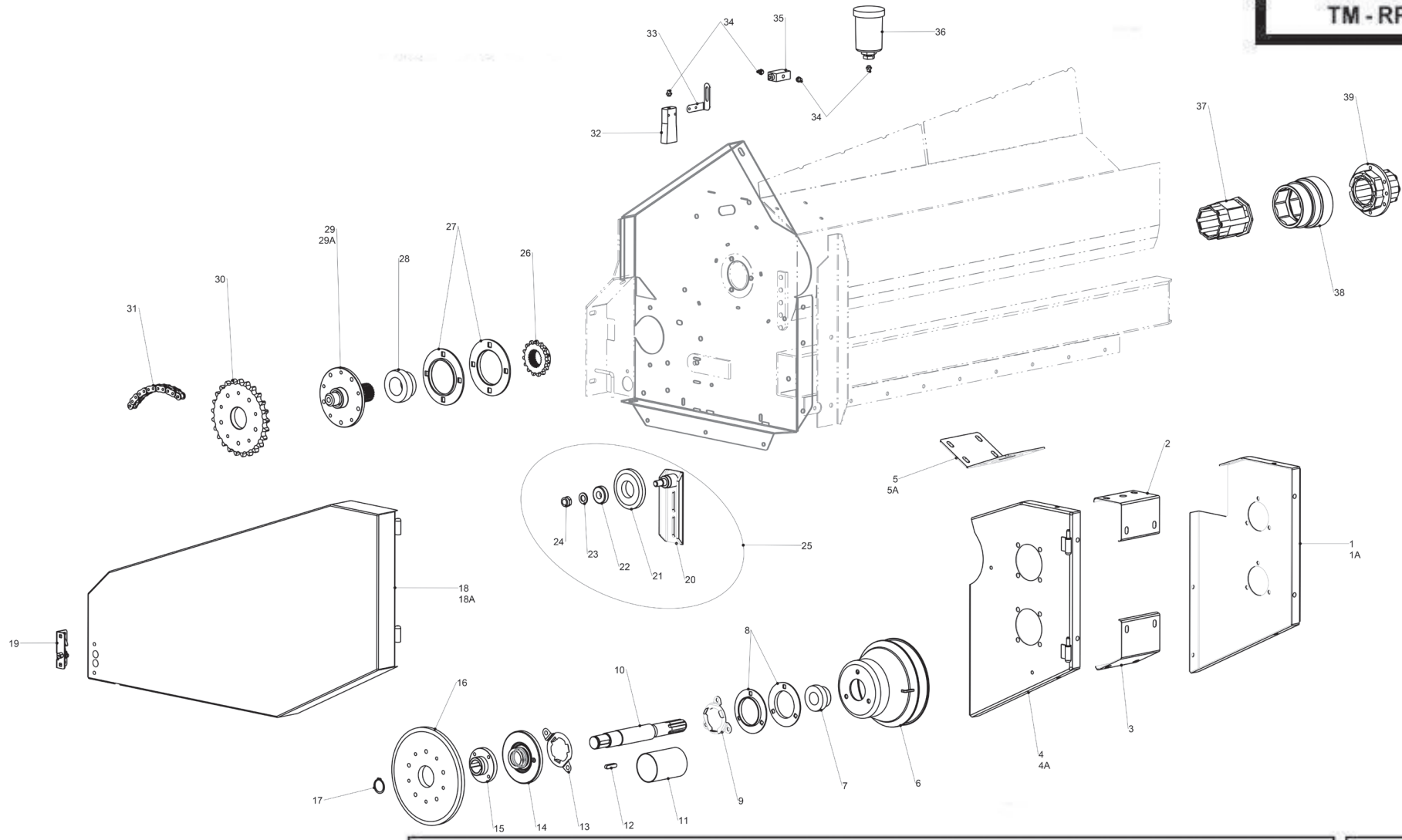


TECNO<sup>M</sup> AIS  
metalworkers

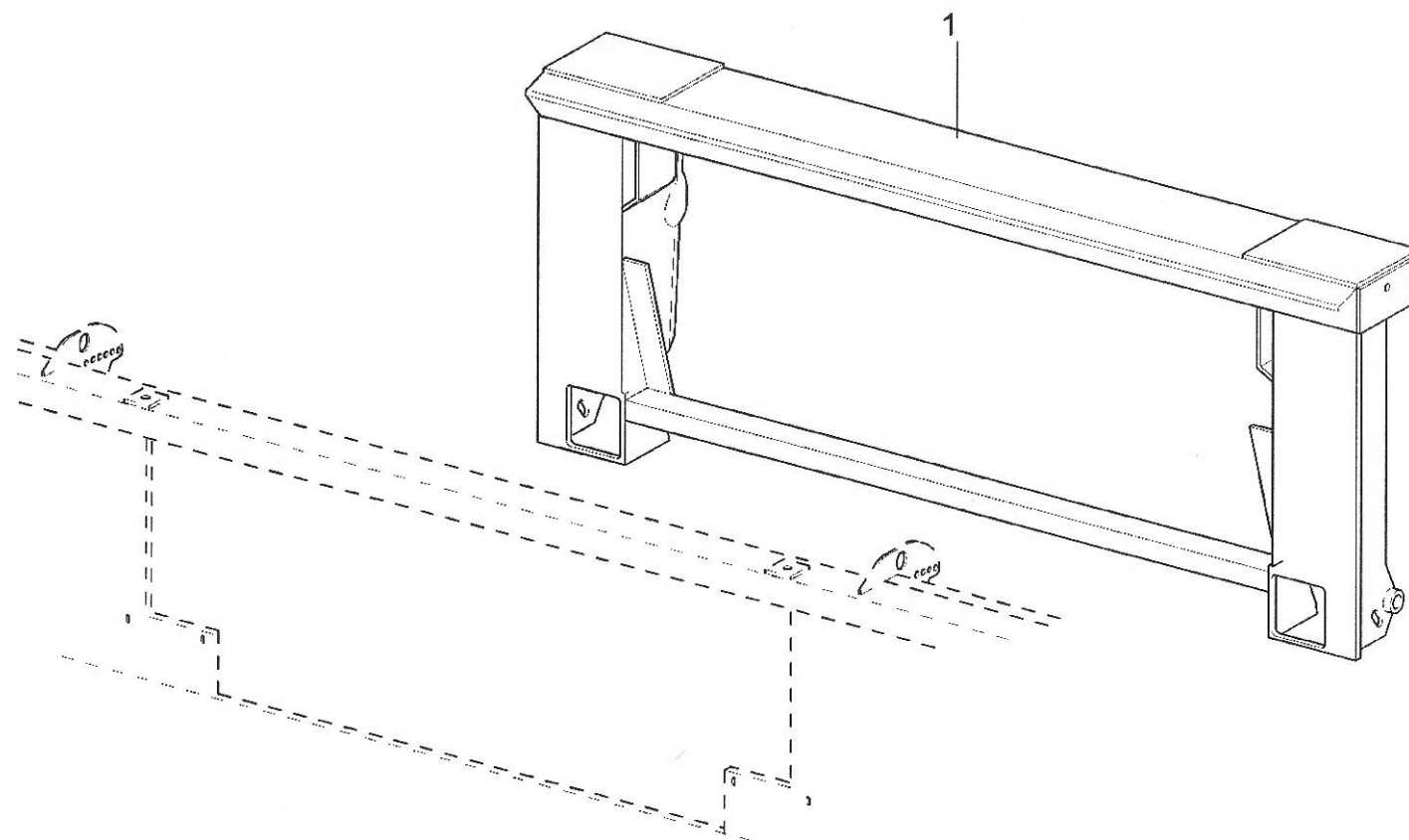
TAB. 20



TM - RP2



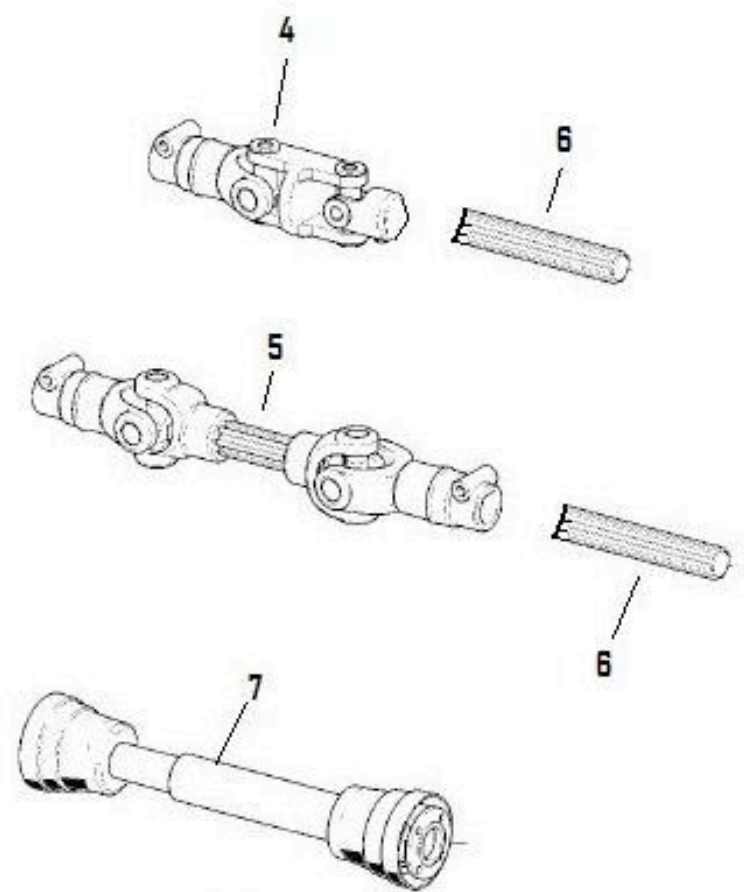
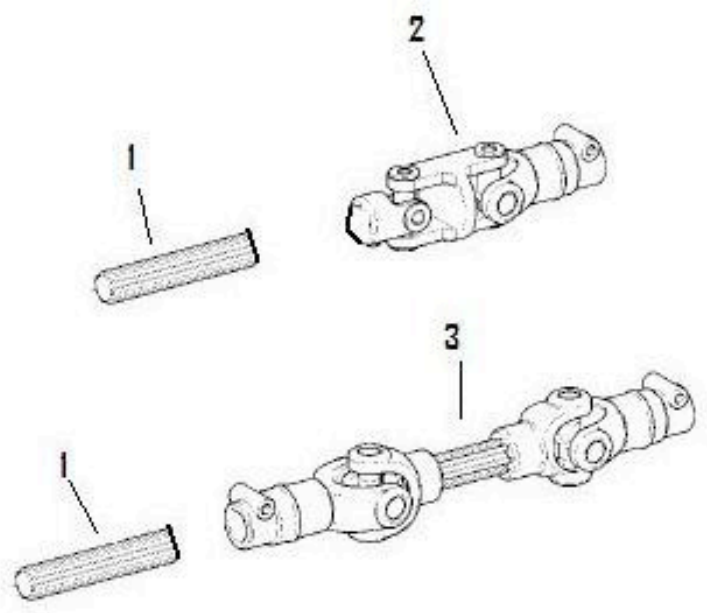




TECNO  AIS		<b>TRASMISSIONE INTERNA - CARDANICA</b> INTERNAL TRANSMISSION - ANSMISSION INTERNE INNERER ANTRIEB - TRANSMISSION INTERNA				TM-RP2	TAV. 22
POS.	CODICE	NOTE	DESCRIZIONE	DESCRIPTION	DESCRIPTION	BESCHREINUNG	DESCRIPCIÓN
LAVERDA REV-LCS-304 (5 SCUOTIPAGLIA - 5 CRANKSHAFTS FOR STRAW-WALKERS - 5 VILEBREQUINS POUR SECOUEURS PAILLE - 5 CIGÜEÑALES PARA SACUDIDORAS)							
1	201035200		ALBERO SCANALATO	GROOVED SHAFT	ARBRE RAINURE	ABKEHLENTE WELLE	EMBRAGUE ACANALADO
3	409800129		ALBERO NON PROTETTO	SHAFT WITHOUT PROTECTION	ARBRE SANS PROTECTION	WELLE	EMBRAGUE
6	NO		MONTATA PDF SU TRASMISSIONE	PDF MOUNTED ON TRANSMISSION	PDF MONTE SUR TRANSMISSION	MONTIERTE ZAPFWELLEANTRIEB	PDF MONTADO SOBRE TRANSMIS.
7	319005058		CARDANO LG 500	CARDAN SHAFT LG 500.	ARBRE A CARDAN LG500	GELENKWELLE	EJE CARDAN
LAVERDA 306 (6 SCUOTIPAGLIA - 6 CRANKSHAFTS FOR STRAW-WALKERS - 6 VILEBREQUINS POUR SECOUEURS PAILLE - 6 CIGÜEÑALES PARA SACUDIDORAS)							
1	201035200		ALBERO SCANALATO	GROOVED SHAFT	ARBRE RAINURE	ABKEHLENTE WELLE	EMBRAGUE ACANALADO
2	409800110		DOPPIO GIUNTO DG5 LG 315	DOUBLE JOINT DG5 LG 315	DOUBLE JOINT DG5 LG 315	KUPPLUNG BESONDERERE	BLOQUEO
6	201035200		ALBERO SCANALATO	GROOVED SHAFT	ARBRE RAINURE	ABKEHLENTE WELLE	EMBRAGUE ACANALADO
5	409800129		ALBERO NON PROTETTO	SHAFT WITHOUT PROTECTION	ARBRE SANS PROTECTION	WELLE	EMBRAGUE
CASE							
1	201035200		ALBERO SCANALATO	GROOVED SHAFT	ARBRE RAINURE	ABKEHLENTE WELLE	EMBRAGUE ACANALADO
3	409800136		ALBERO NON PROTETTO	SHAFT WITHOUT PROTECTION	ARBRE SANS PROTECTION	WELLE	EMBRAGUE
6	201035200		ALBERO SCANALATO	GROOVED SHAFT	ARBRE RAINURE	ABKEHLENTE WELLE	EMBRAGUE ACANALADO
5	409800136		ALBERO NON PROTETTO	SHAFT WITHOUT PROTECTION	ARBRE SANS PROTECTION	WELLE	EMBRAGUE
NEW HOLLAND TX 66-68							
1	201035200		ALBERO SCANALATO	GROOVED SHAFT	ARBRE RAINURE	ABKEHLENTE WELLE	EMBRAGUE ACANALADO
2	409800094		DOPPIO GIUNTO DG5 LG 328	DOUBLE JOINT DG5 LG 328	DOUBLE JOINT DG5 LG 328	KUPPLUNG BESONDERERE	BLOQUEO
6	201035200		ALBERO SCANALATO	GROOVED SHAFT	ARBRE RAINURE	ABKEHLENTE WELLE	EMBRAGUE ACANALADO
5	409800135		CARDANO DG5 NON PROTETTO	CARDAN SHAFT WITHOUT PROTEC.	ARBRE A CARDAN SANS PROTEC.	GELENKWELLE	EJE CARDAN
NEW HOLLAND TX 64-65							
1	201035200		ALBERO SCANALATO	GROOVED SHAFT	ARBRE RAINURE	ABKEHLENTE WELLE	EMBRAGUE ACANALADO
2	409800129		CARDANO DG5 NON PROTETTO	CARDAN SHAFT WITHOUT PROTEC.	ARBRE A CARDAN SANS PROTEC.	GELENKWELLE	EJE CARDAN
6	NO		MONTATA PDF SU TRASMISSIONE	PDF MOUNTED ON TRANSMISSION	PDF MONTE SUR TRANSMISSION	MONTIERTE ZAPFWELLEANTRIEB	PDF MONTADO SOBRE TRANSMIS.
7	319005058		CARDANO LG 500	CARDAN SHAFT LG 500.	ARBRE A CARDAN LG500	GELENKWELLE	EJE CARDAN
CLAAS 88 98 108 118 204 208 218							
1	201035200		ALBERO SCANALATO	GROOVED SHAFT	ARBRE RAINURE	ABKEHLENTE WELLE	EMBRAGUE ACANALADO
3	409800128		DOPPIO GIUNTO DG5 LG 274	DOUBLE JOINT DG5 LG 287	DOUBLE JOINT DG5 LG 287	KUPPLUNG BESONDERERE	BLOQUEO
6	201035200		ALBERO SCANALATO	GROOVED SHAFT	ARBRE RAINURE	ABKEHLENTE WELLE	EMBRAGUE ACANALADO
5	409800135		CARDANO DG5 NON PROTETTO	CARDAN SHAFT WITHOUT PROTEC.	ARBRE A CARDAN SANS PROTEC.	GELENKWELLE	EJE CARDAN
NEW HOLLAND CR CSX							
1	201035200		ALBERO SCANALATO	GROOVED SHAFT	ARBRE RAINURE	ABKEHLENTE WELLE	EMBRAGUE ACANALADO
3	409800129		CARDANO DG5 NON PROTETTO	CARDAN SHAFT WITHOUT PROTEC.	ARBRE A CARDAN SANS PROTEC.	GELENKWELLE	EJE CARDAN
6	201035200		ALBERO SCANALATO	GROOVED SHAFT	ARBRE RAINURE	ABKEHLENTE WELLE	EMBRAGUE ACANALADO
5	409800129		CARDANO LG 500	CARDAN SHAFT LG 500.	ARBRE A CARDAN LG500	GELENKWELLE	EJE CARDAN
		*	MIETITREBBIE FINO ALL'ANNO 2009				

SX

DX



**TRASMISSIONE INTERNA- CARDANICA**  
INTERNAL TRANSMISSION-TRANSMISSION INTERNE-INNERE ANTRIEB-TRANSMISION INTERNA

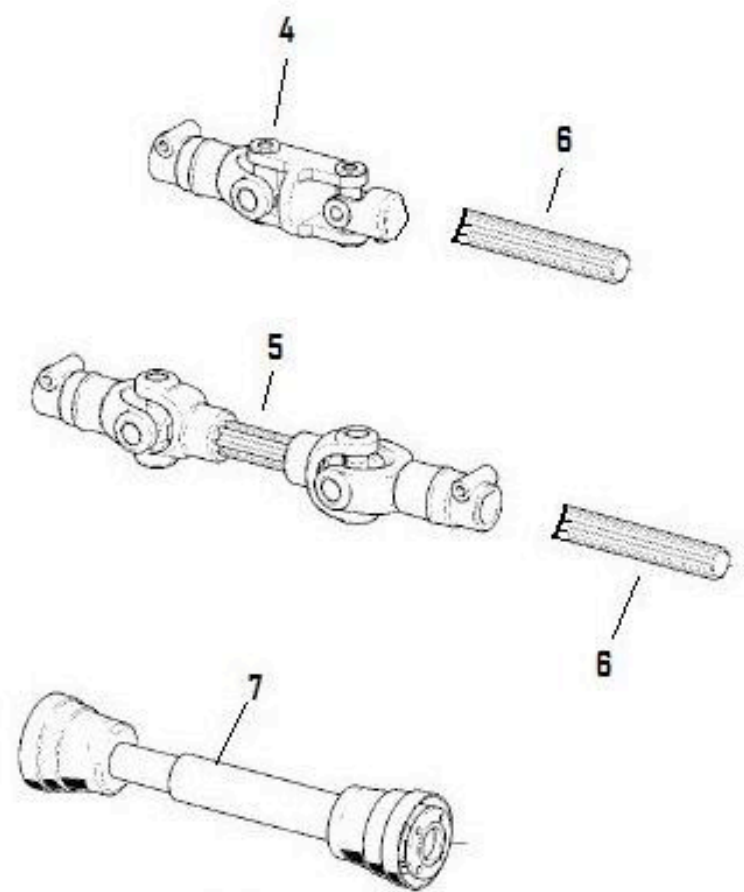
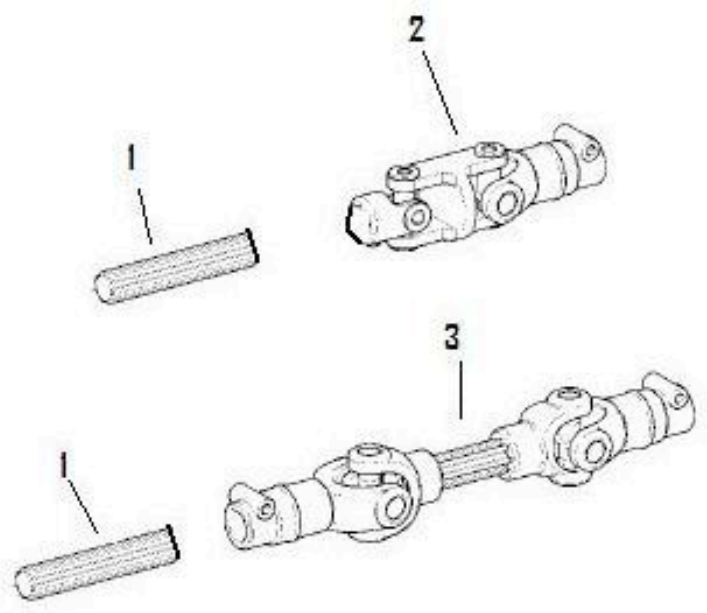
**TAB. 22**





SX

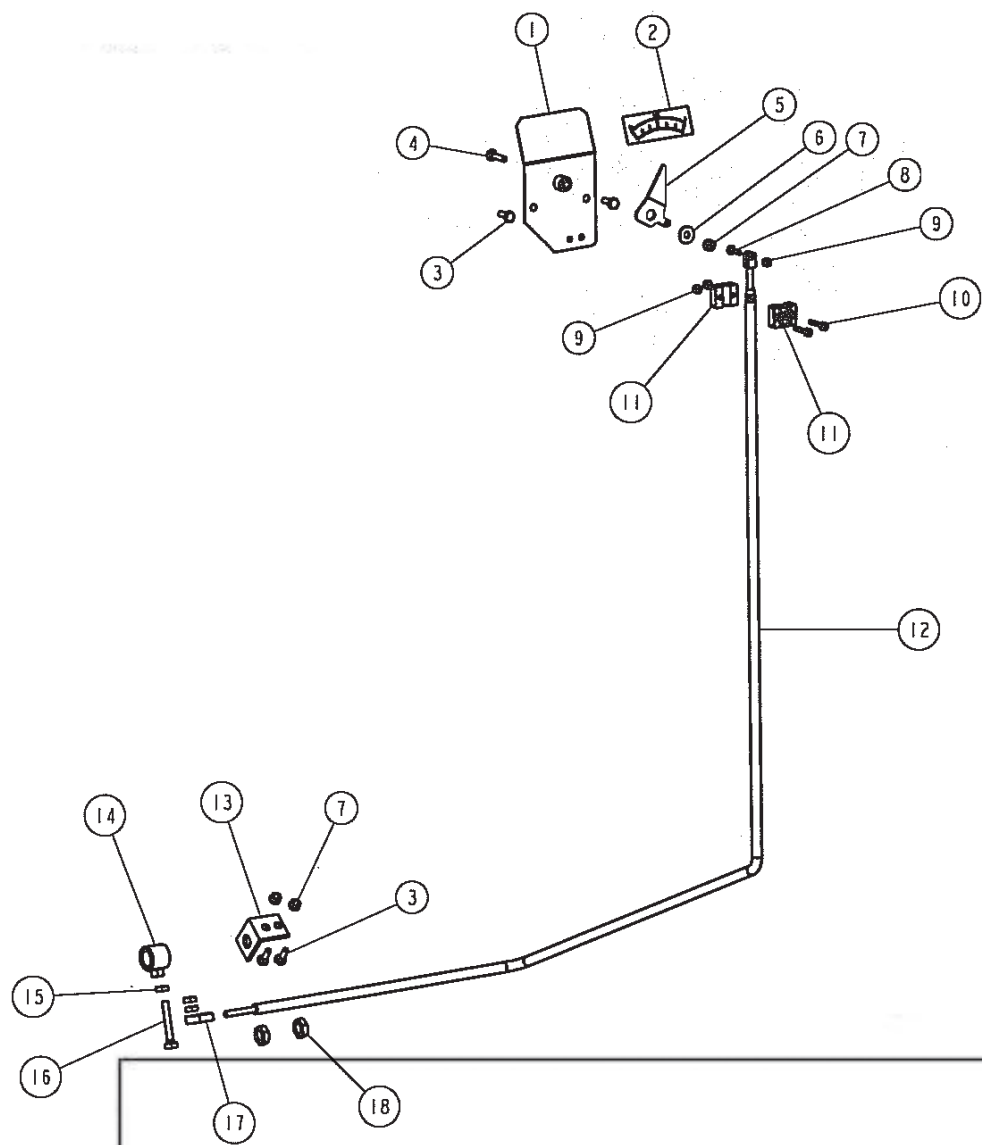
DX



**TRASMISSIONE INTERNA- CARDANICA**  
INTERNAL TRANSMISSION-TRANSMISSION INTERNE-INNERE ANTRIEB-TRANSMISION INTERNA

**TAB. 22**





# TECNOMAIS

metal workers



**TECNOMAIS s.r.l.**  
46040 Ceresara MN - Via Piubega, 28  
T +39 0376 87556 - F +39 0376 87027  
[www.technomais.it](http://www.technomais.it)