

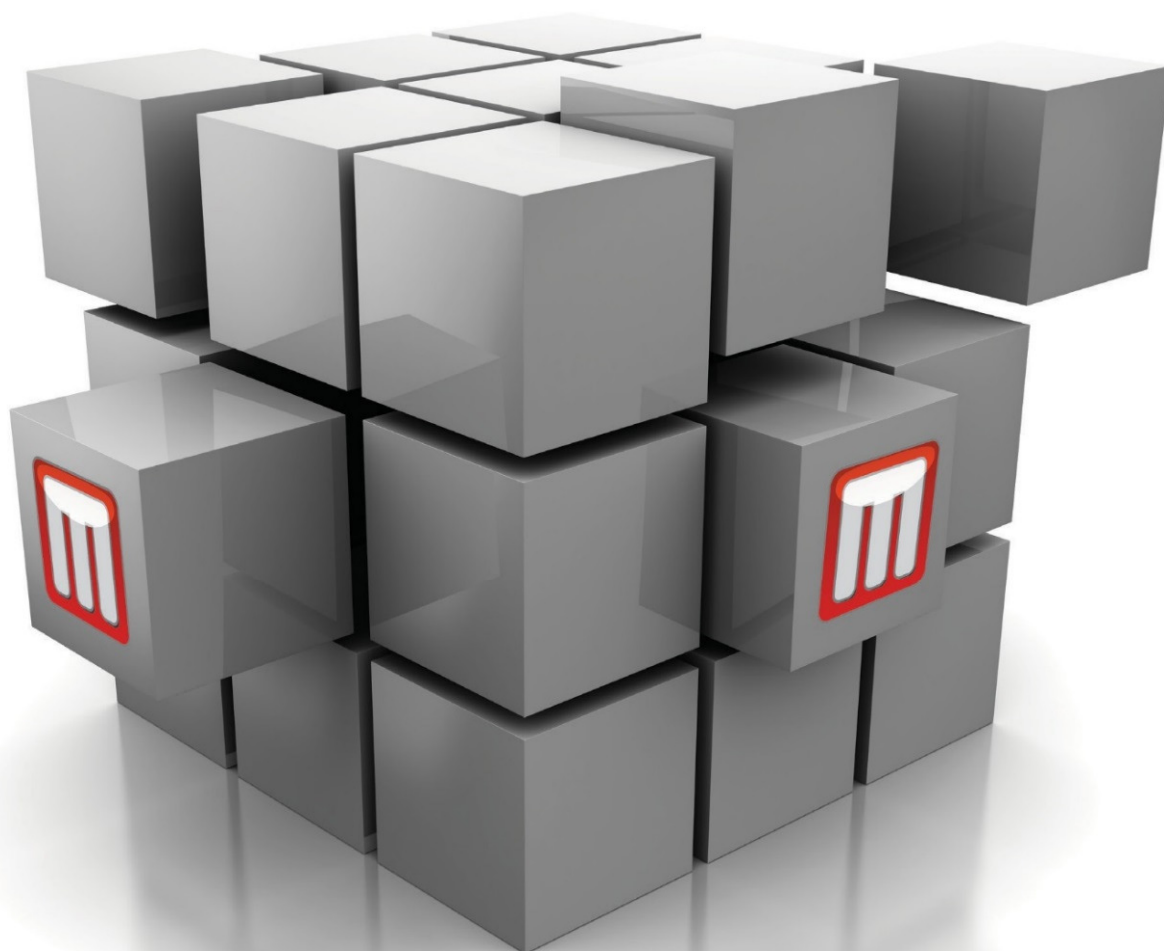
**CATALOGO RICAMBI
SPARE PARTS**

**TESTATA MAIS FISSA
FIXED CORN HEADER**

Modello: **TM – TM3**

Interfila: **Cm. 60, 70, 75, 80, 90**

Numero Di File: Tutte



TAB.01 – TELAIO 6/8 FILE
FRAME 6/8 ROWS
CHASSIS 6/8 RANGS

TAB.02 – TELAIO 12 FILE
FRAME 12 ROWS
CHASSIS 12 RANGS

TAB.03 – COCLEA 6/8 FILE
AUGER 6/8 ROWS
VIS 6/8 RANGS

TAB.04 – COCLEA 12 FILE
AUGER 12 ROWS
VIS 12 RANGS

TAB.05 – RULLI A LAME
BLADES ROLLERS
ROULEAUX A LAMES

TAB.06 – RULLI AD ALETTE – MILKING
ROLLERS – ROULEAUX ENGRENAGES

TAB.07 – GRUPPO RACCOGLITORE
HARVESTING UNIT
ELEMENT DE RECOLTE

TAB.08 – SCATOLA INGRANAGGI
GEARS BOX
BOITIER ENGRENAGES

TAB.09 – TRINCIASTOCCHI
STALK CHOPPER
BROYEUR

TAB.10 – TRASMISSIONE GRUPPI
ELEMENT TRANSMISSION
TRANSMISSION GROUPE

TAB.11 – COMANDO LAME ELETTRICHE
ELECTRICBLADE CONTROL
COMMANDE PLAQUES ELECTRIQUE

TAB.12 – COMANDO LAME IDRAULICHE
HYDRAULIC CONTROL
COMMANDE PLAQUES HYDRAULIQUE

TAB.13 – KIT ATTACCO
CONNECTION KIT
KIT ATTELAGE

TAB.14 – CARDANI
CARDAN JOINT
CARDANS TRANSMISSION

TAB.15 – COFANI
COVERS
CAPOTS

TAB.16 – PROTEZIONE TRINCIASTOCCHI
GUARD STALK CHOPPER
PROTECTIONS DÉCHAUMEUSE

TAB.17 – TRASMISSIONE SX
LH TRANSMISSION
TRANSMISSION GAUCHE

TAB.18 – TRASMISSIONE DX
RH TRANSMISSION
TRANSMISSION DROIT

TAB.19 – COCLEE CONICHE LATERALI
LATERAL CONICAL AUGERS
VIS CONIQUES LATERALES

TAB.20 – CAVO INDICATORE LAME
PLATES INDICATOR CABLE
CAVE INDICATEUR PLAQUES

TAB.21 – KIT GIRASOLE ROTATIVO
ROTARY SUNFLOWER KIT
KIT TOURNESOL ROTATIF

TAB.22 – SCHIACCIA STOCCHI
STALK CRUSHER
ECRASE-TIGES

ISTRUZIONI PER ORDINARE I RICAMBI

sono aggiornati alla data di uscita della pubblicazione. E' nostro obiettivo migliorare costantemente le macchine e quindi innumeri di ordinazione e le illustrazioni possono non essere più attuali.

INSTRUCTIONS POUR COMMANDER LES PIECES DE RECHANGE

Les numéros de commande qui se trouvent sur ce catalogue ont ajustés à la date de publication. Notre objectif est d'améliorer toujours les machines et donc les numéros de commande et les images ne peuvent pas être actuelles.

Au moment de commander les pièces de rechange vérifier les numéros de commande dans Votre Concessionnaire qui est fournie du bordereau générale des actuelles pièces de rechange.

INSTRUCTIONS FOR ORDERING PARTS

At the time this parts catalog was published the listed part numbers were current. It is our aim to constantly improve our machines and therefore, part numbers and design may change.

When ordering parts, verify part numbers through your dealer's master numerical index which are to date with all the latest part numbers.

ИНСТРУКЦИИ ДЛЯ ЗАКАЗА ЗАПЧАСТЕЙ

Номера заказов, указанные в данном каталоге были обновлены к моменту публикации. Нашей целью является постоянное совершенствование машин, и, следовательно, номера для заказов частей и иллюстрации могут быть устаревшими.

При заказе запчастей следует проверить номера для заказов у Вашего продавца, у которого имеется обновленный общий каталог запчастей.

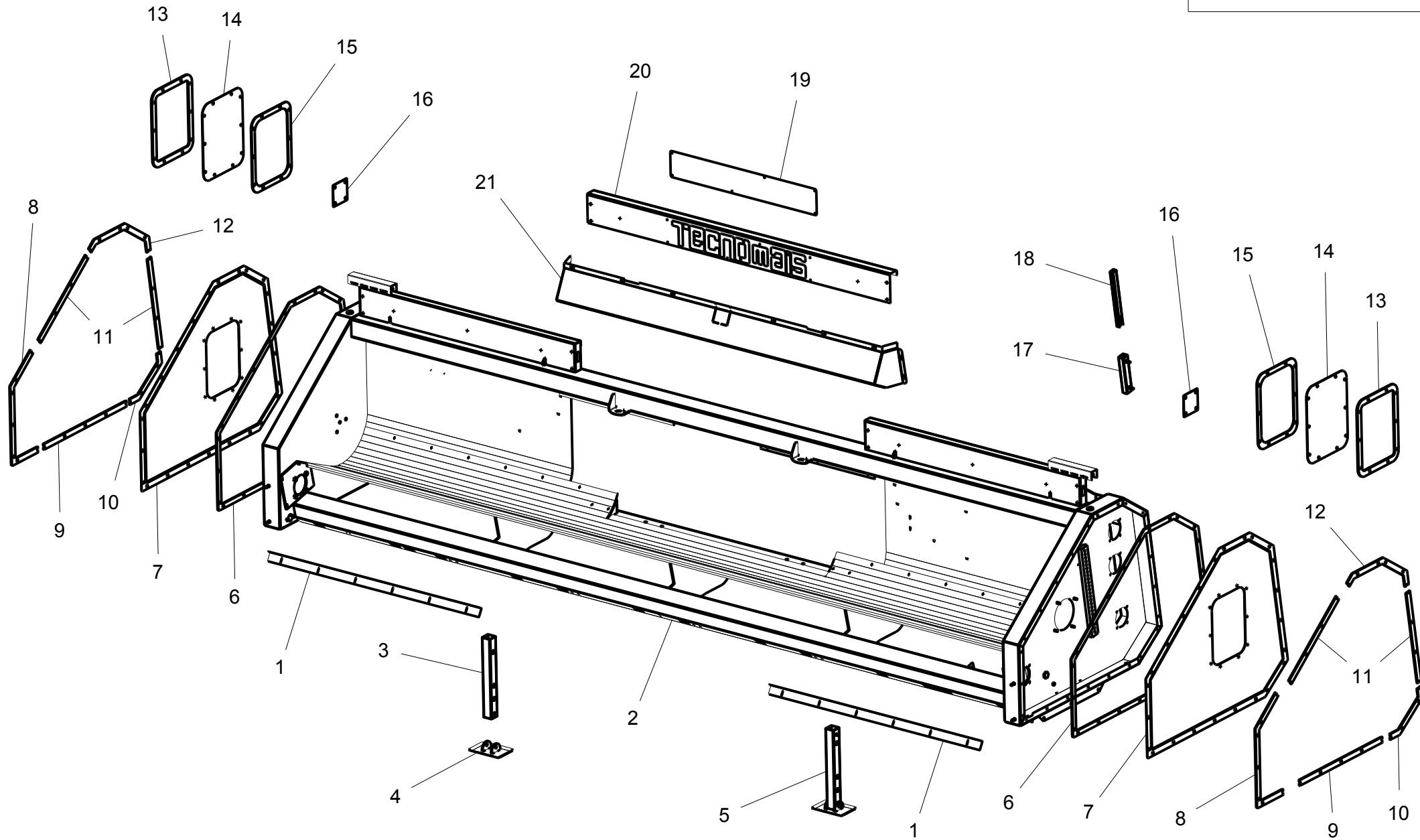


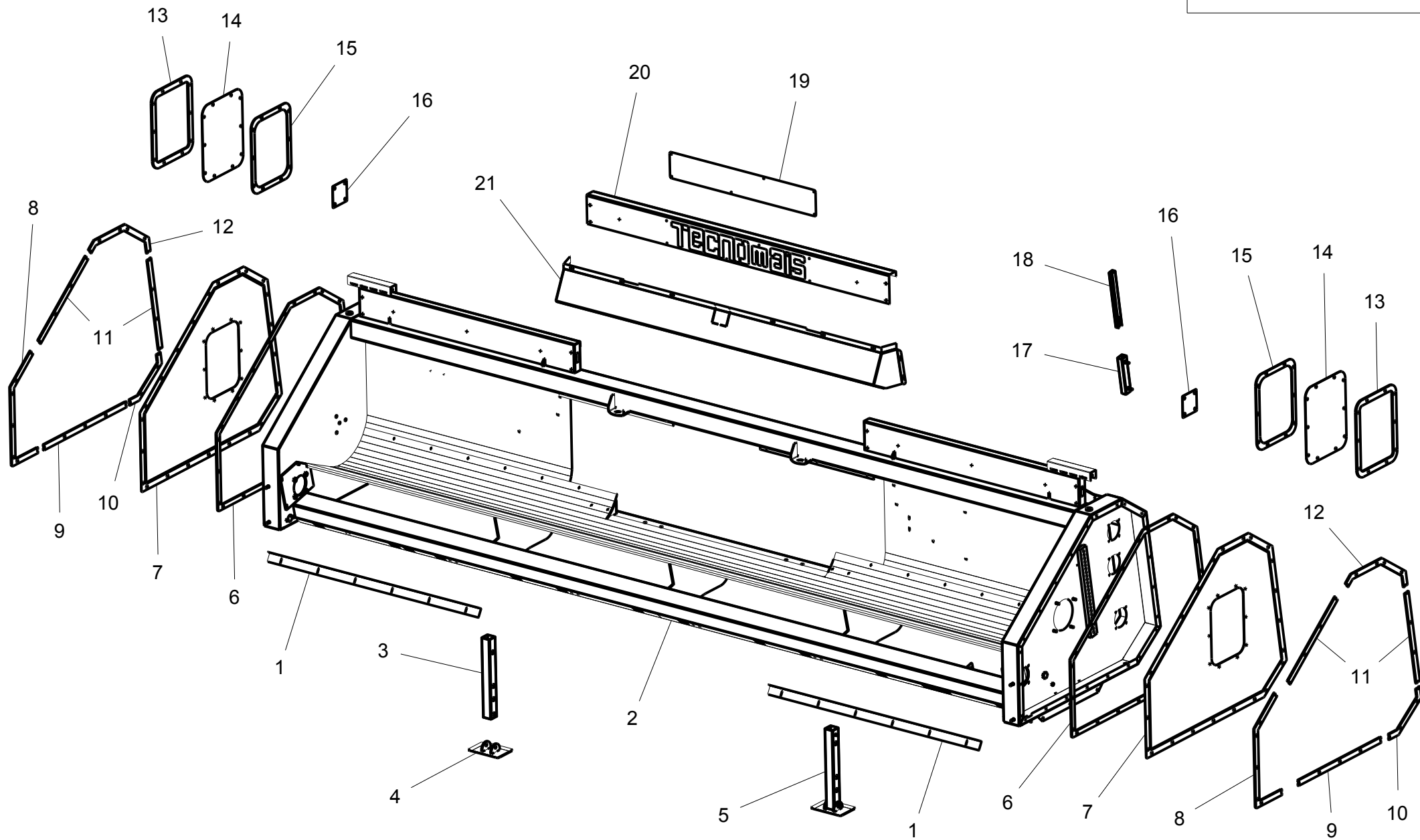
TELAIO 5/6/8 FILE
FRAME 5/6/8 ROWS - CHASSIS 5/6/8 RANGS

TM/3

TAB.01

POS.	CODE	Q.TA'	DESCRIZIONE	DESCRIPTION	DESCRIPTION
1	256005452		RASCHIATORE 5 FILE 70	SCRAPER 5 ROWS 70	RACLEUR 5 RANGS 70
1	256005448		RASCHIATORE 5 FILE 75	SCRAPER 5 ROWS 75	RACLEUR 5 RANGS 75
1	256005454		RASCHIATORE 5 FILE 80	SCRAPER 5 ROWS 80	RACLEUR 5 RANGS 80
1	256005450		RASCHIATORE 6 FILE 70	SCRAPER 6 ROWS 70	RACLEUR 6 RANGS 70
1	256005447		RASCHIATORE 6 FILE 75	SCRAPER 6 ROWS 75	RACLEUR 6 RANGS 75
1	256005453		RASCHIATORE 6 FILE 76,2	SCRAPER 6 ROWS 76,2	RACLEUR 6 RANGS 76,2
1	256005451		RASCHIATORE 6 FILE 80	SCRAPER 6 ROWS 80	RACLEUR 6 RANGS 80
1	256005449		RASCHIATORE 8 FILE 70	SCRAPER 8 ROWS 70	RACLEUR 8 RANGS 70
1	256005476		RASCHIATORE 8 FILE 85	SCRAPER 8 ROWS 75	RACLEUR 8 RANGS 75
1	256005458		RASCHIATORE 8 FILE 76,2	SCRAPER 8 ROWS 76,2	RACLEUR 8 RANGS 76,2
2	483000483		TELAIO 5X70	FRAME 5X70	FRAME 5X70
2	483000484		TELAIO 5X75	FRAME 5X75	FRAME 5X75
2	483000486		TELAIO 5X80	FRAME 5X80	FRAME 5X80
2	483000482		TELAIO 6X70	FRAME 6X70	FRAME 6X70
2	483000468		TELAIO 6X75	FRAME 6X75	FRAME 6X75
2	483000476		TELAIO 6X76,2	FRAME 6X76,2	FRAME 6X76,2
2	483000481		TELAIO 6X80	FRAME 6X80	FRAME 6X80
2	483000474		TELAIO 8X70	FRAME 8X70	FRAME 8X70
2	483000487		TELAIO 8X75	FRAME 8X75	FRAME 8X75
2	483000477		TELAIO 8X76,2	FRAME 8X76,2	FRAME 8X76,2
3	484000070		TUBO PIEDE	PIPE	TUYAU
4	464000004		BASE PIEDE	FOOT	PIED
5	567000001		PIEDE COMPLETO	FOOT APRON	PIED STATIONNEMENT
6	253000009		GUARNIZIONE	SEAL	JOINT
7	224000809		CARTER DX/SX	RH/LH GUARD	PROTECTION D/G
8	256005524		PIATTO	PLATE	PLAT





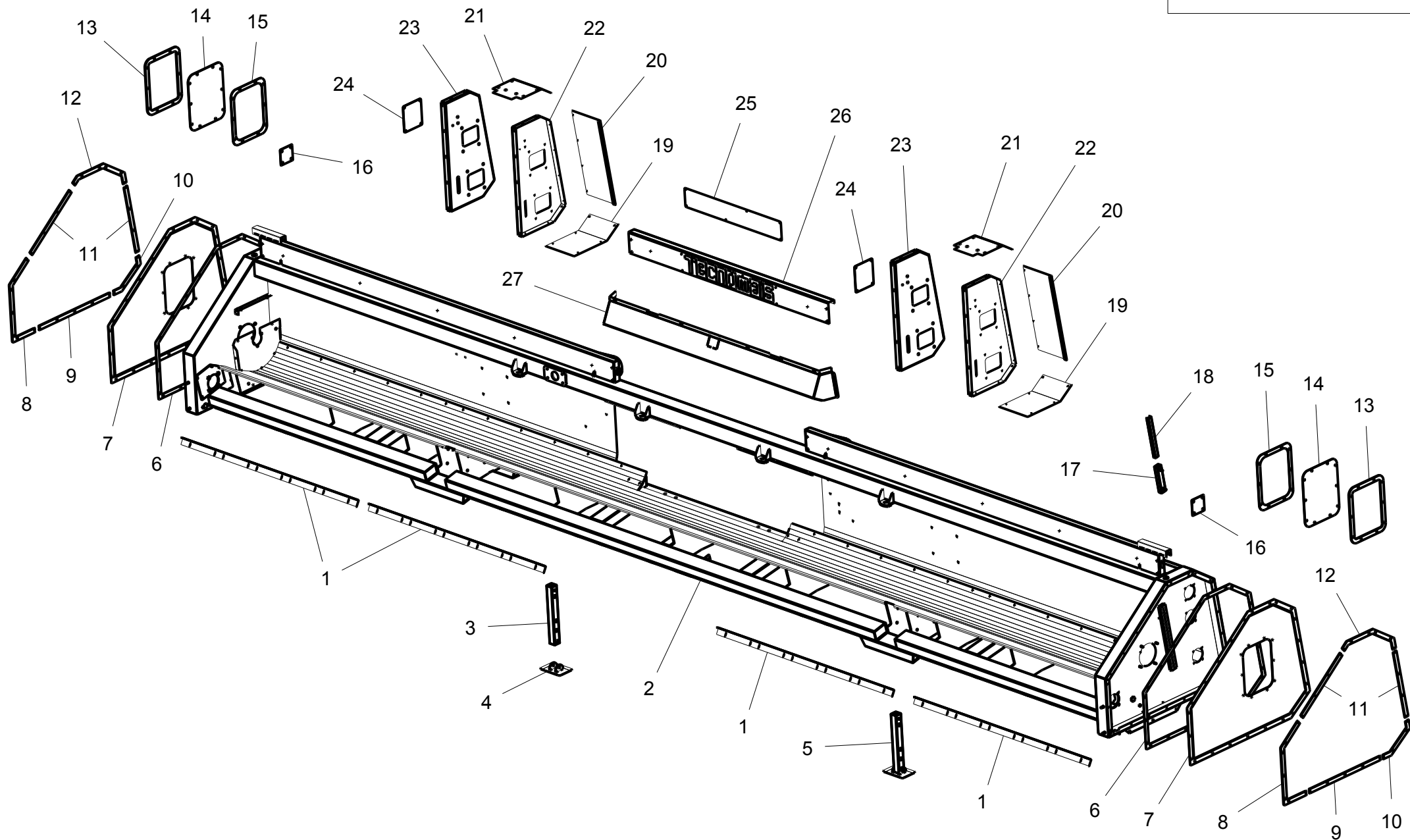


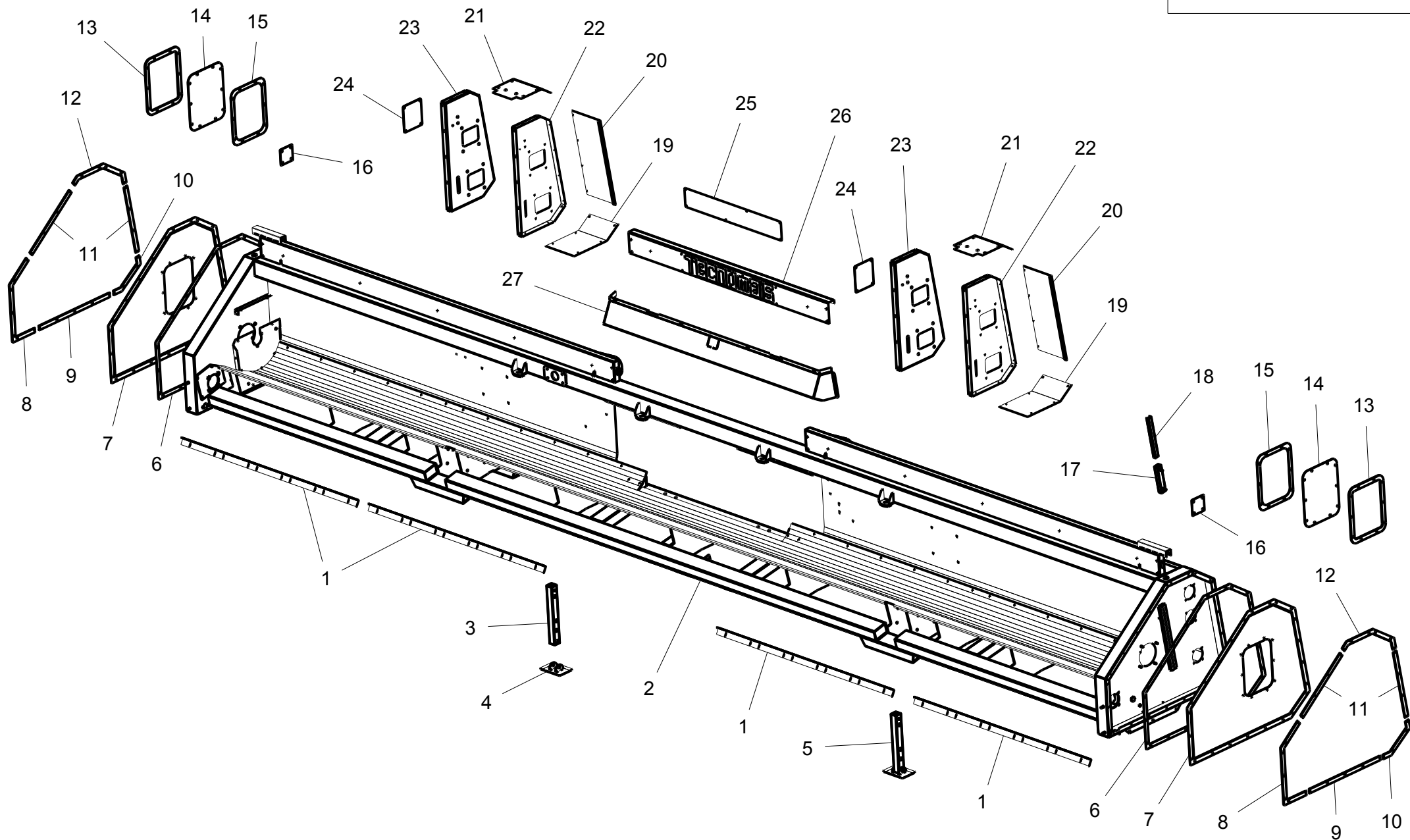
TELAIO 12 FILE - FRAME 12 ROWS - CHASSIS 12 RANGS

TM/3

TAB.02

POS.	CODE	Q.TA'	DESCRIZIONE	DESCRIPTION	DESCRIPTION
1	256005459		RASCHIATORE 12 FILE 70	SCRAPER 12 ROWS 70	RACLEUR 12 RANGS 70
1	256005462		RASCHIATORE 12 FILE 75	SCRAPER 12 ROWS 75	RACLEUR 12 RANGS 75
1	256005463		RASCHIATORE 12 FILE 76.2	SCRAPER 12 ROWS 76.2	RACLEUR 12 RANGS 76.2
2	483000478		TELAIO 12x70	FRAME 12x70	FRAME 12x70
2	483000480		TELAIO 12x75	FRAME 12x75	FRAME 12x75
2	483000475		TELAIO 12x76.2	FRAME 12x76.2	FRAME 12x76.2
3	484000070		TUBO	PIPE	TUYAU
4	464000004		PIEDINO	FOOT	PIED
5	567000001		PIEDINO STAZIONAMENTO	FOOT APRON	PIED STATIONNEMENT
6	253000009		GUARNIZIONE	SEAL	SEAL
7	224000809		CARTER	GUARD	PROTECTION
8	256005524		PIATTO	PLATE	PLAT
9	256005528		PIATTO	PLATE	PLAT
10	256005527		PIATTO	PLATE	PLAT
11	256005525		PIATTO	PLATE	PLAT
12	256005526		PIATTO	PLATE	PLAT
13	256005523		PIATTO	PLATE	PLAT
14	224000811		COPERCHIO	COVER	COUVERCLE
15	253000010		GUARNIZIONE	SEAL	JOINT
16	224015777		COPERCHIO	COVER	COUVERCLE
17	484000139		TUBO SUPPORTO	SUPPORT PIPE	TUYAU SUPPORT
18	258000014		LEVA INNESTO/DISINNESTO	ENGAGED AND DISINNESTED	LEVIER EMBRAYAGE/DEBRAYAGE
19	256005383		COLLEGAMENTO INFERIORE	LOWER CONNECTION	RACCORDMENT INFERIEUR
20	224015812		COPERCHIO	COVER	COUVERCLE
21	256005382		COLLEGAMENTO SUPERIORE	SUPERIOR CONNECTION	RACCORDMENT SUPERIEUR
22	287000384		SUPPORTO SX	LH SUPPORT	SUPPORT GAUCHE





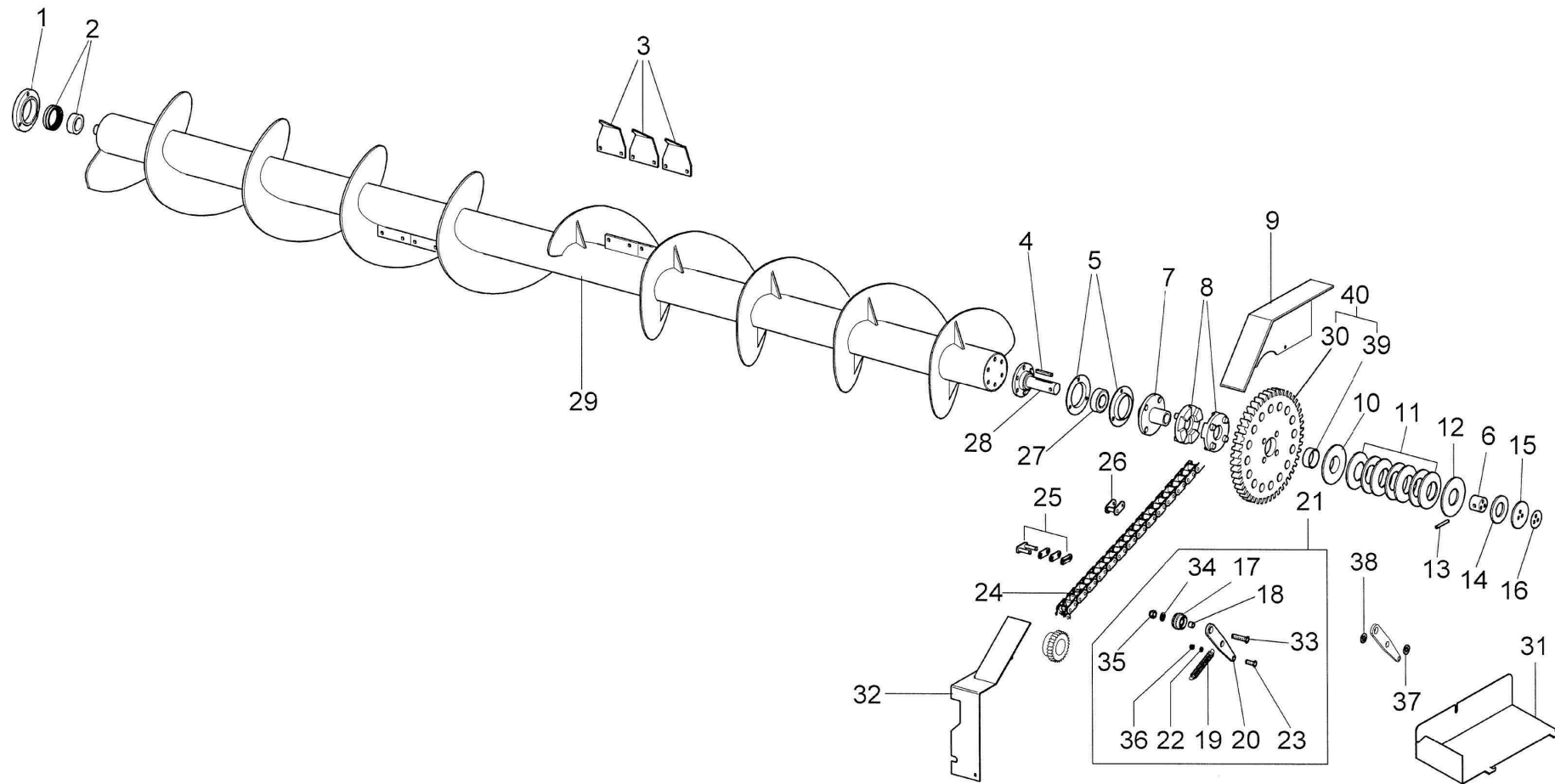


COCLEA 6/8 FILE
AUGER 6/8 ROWS
VIS 6/8 RANGS

TM/3

TAB.03

POS.	CODE	Q.TA'	DESCRIZIONE	DESCRIPTION	DESCRIPTION
1	247072014		FLANGIA	FLANGE	BRIDE
2	330035028		CUSCINETTO	BEARING ASSY	PALIER
3	417800001		DENTE	TOOTH	DENT
4	325010003		CHIAVETIA	KEY	CLAVETIE
5	340035001		FLANGIA	FLANGE	BRIDE
6	203055192		PERNO	PIN	PIVOT
7	261000107		MOZZO	HUB	MOYEU
8	255004020		INNESTO	CLUTCH	EMBRAYAGE
9	224015803		CARTER	GUARD	PROTECTION
10	275115085		RONDELLA	WASHER	RONDELLE
11	359112009		MOLLA	SPRING	RESSORT
12	275115086		RONDELLA	WASHER	RONDELLE
13	203010178		SPINA	PIN	GOUPILLE
14	242019077		DISTANZIALE	SPACER	ENTRETOISE
15	275076101		RONDELLA	WASHER	RONDELLE
16	256002666		FERMO	STOPPER	ARRET
17	216150001		RUOTATENDICATENA	VVHEEL CHAIN TIGHTENER	ROUE TENDEUR DE CHAINE
18	210014003		BUSSOLA	BUSH	DOUILLE
19	259075003		MOLLA	SPRING	RESSORT
20	287000158		SUPPORTO	SUPPORT	SUPPORT
21	582200029		TENDICATENA COMPLETO	COMPLETE CHAIN TIGHTENER	TENDEUR DE CHAINE COMPLET
22	375008002		RONDELLA	WASHER	RONDELLE
23	390008270		VITE	SCREW	VIS
24	320019096		CATENA	CHAIN	CHAINE
25	345019004		GIUNTO	JOINT	JOINT
26	345019007		MAGLIA FALSA	LINK CRANKED	FAUX-MAILLON



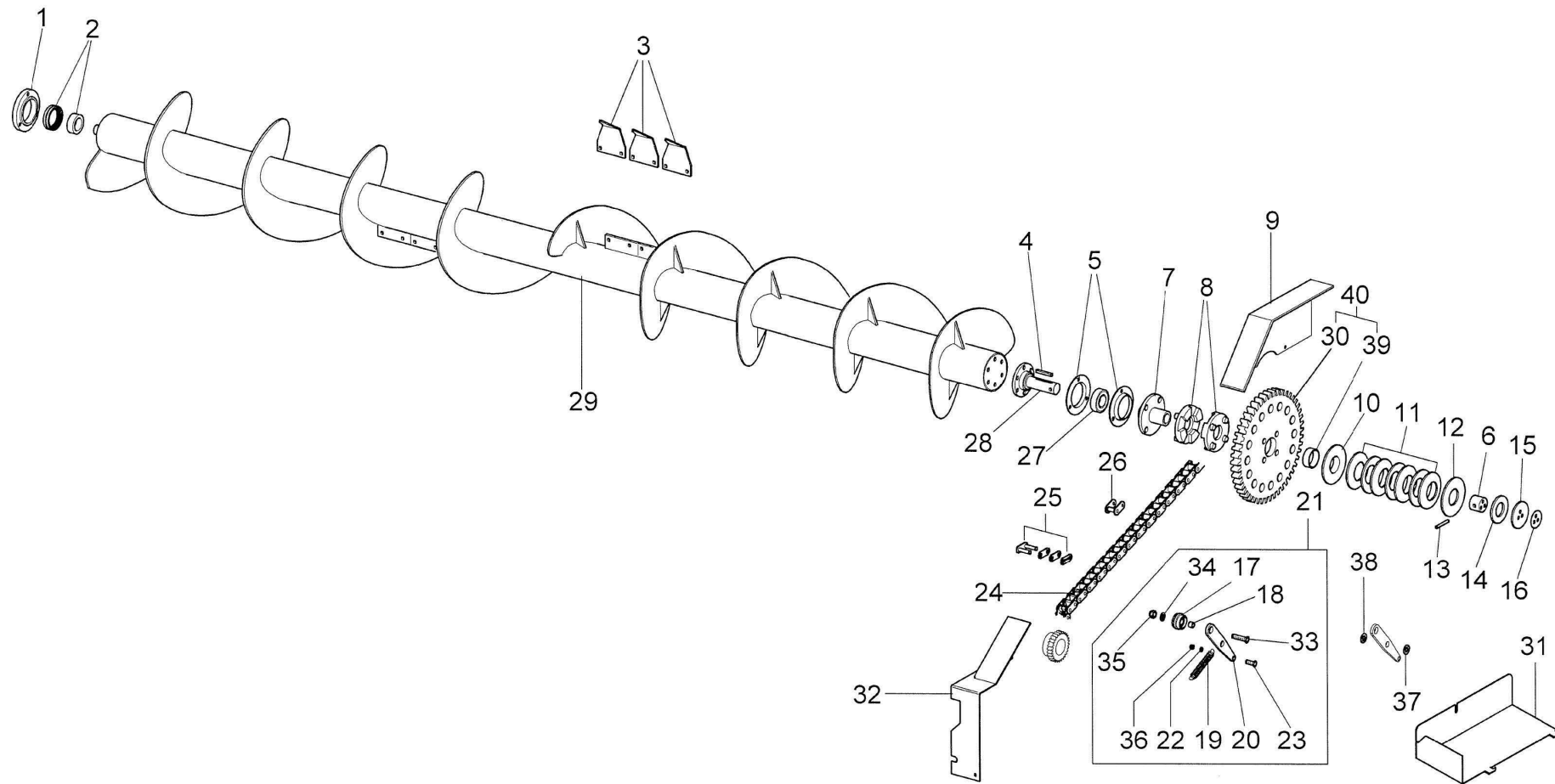


COCLEA 6/8 FILE
 AUGER 6/8 ROWS
 VIS 6/8 RANGS

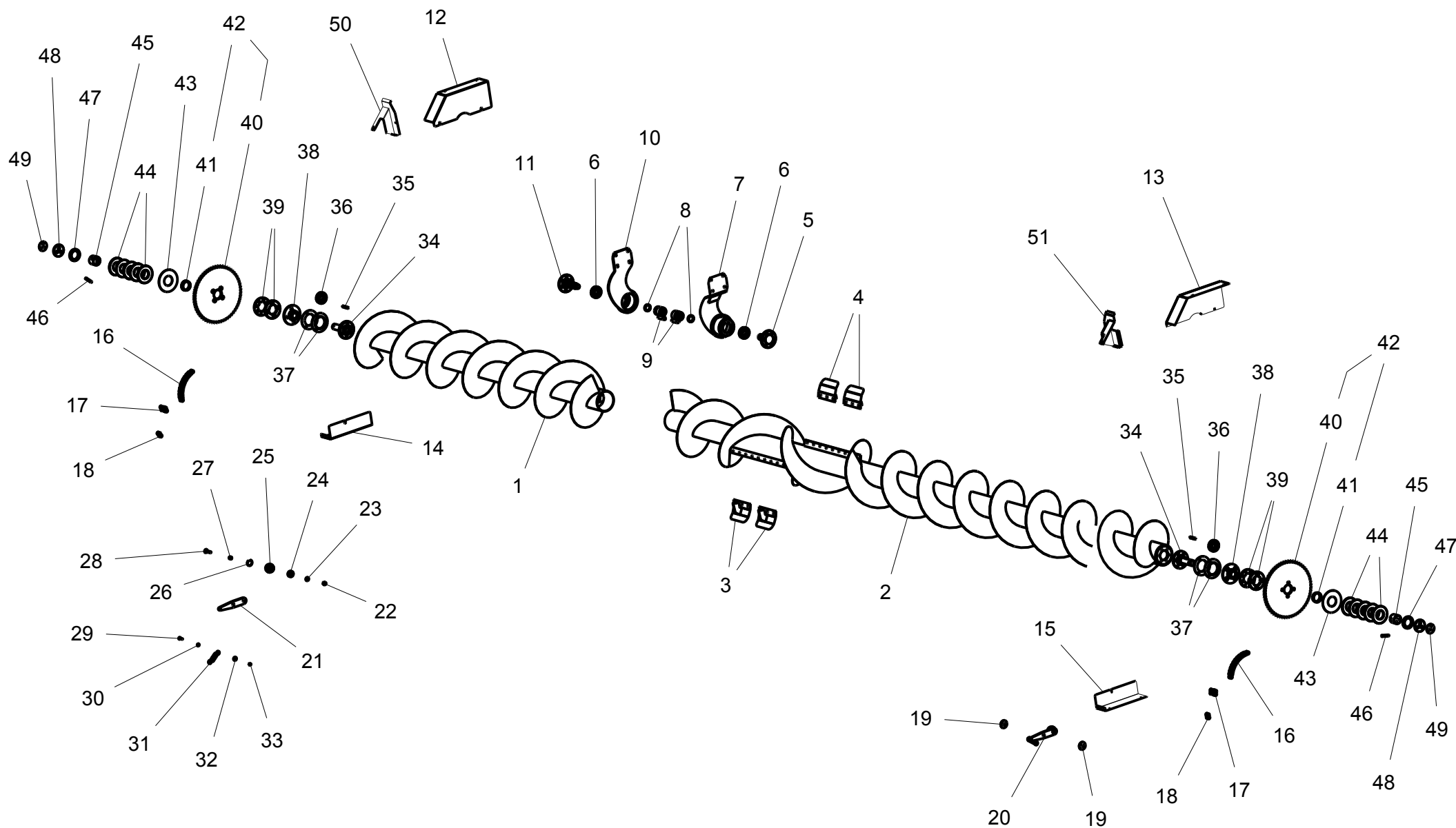
TM/3

TAB.03

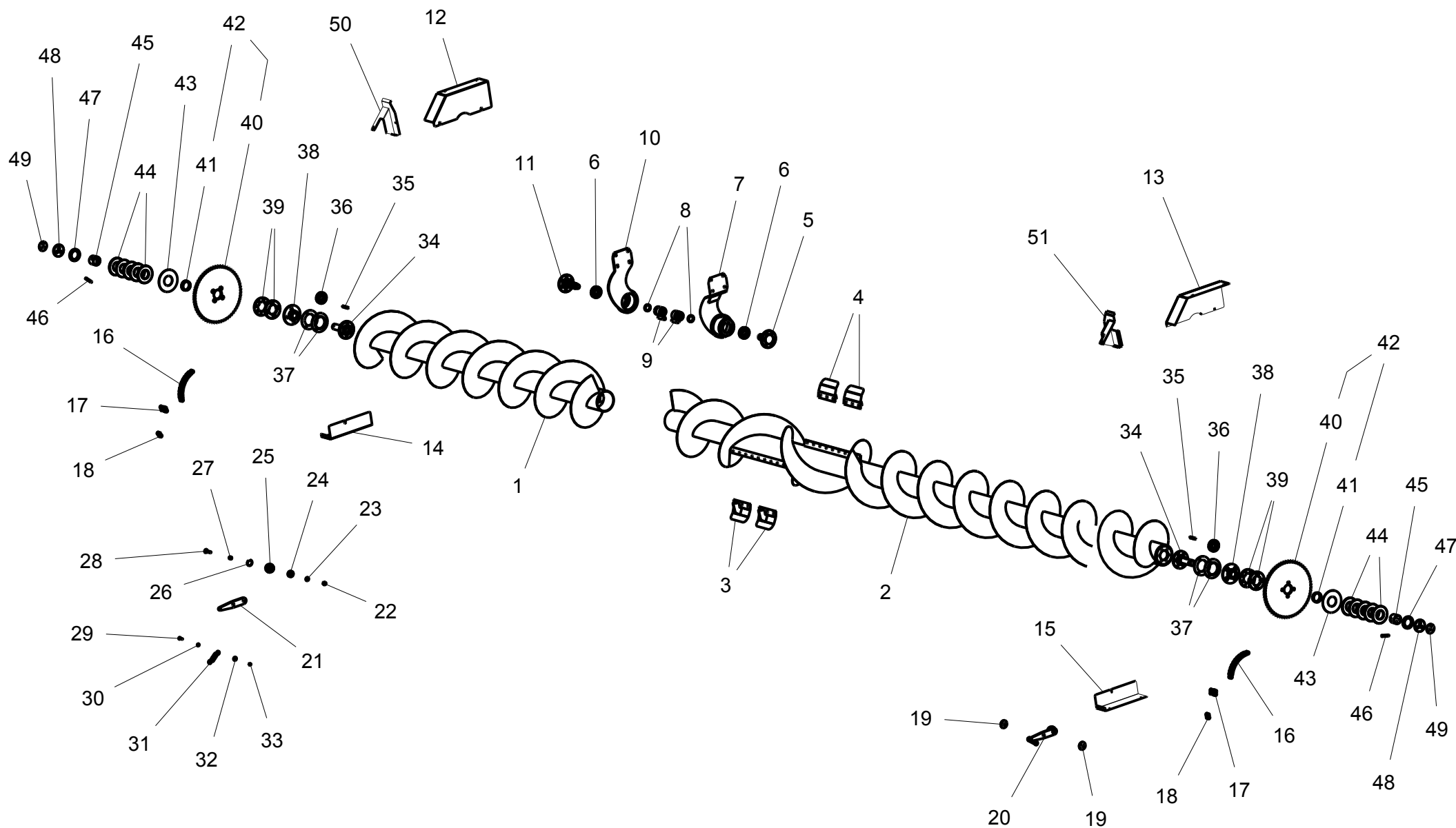
POS.	CODE	Q.TA'	DESCRIZIONE	DESCRIPTION	DESCRIPTION
27	330035006		CUSCINETTO	BEARING ASSY	PALIER
28	203035199		PERNO	PIN	PIVOT
29	412000140		COCLEA 5 F 70	WORMSCREW 5 F 70	VIS 5 F 70
29	412000146		COCLEA5 F 75	WORMSCREW 5 F 75	VIS 5 F 75
29	412000138		COCLEA5 F 80	WORMSCREW 5 F 80	VIS 5 F 80
29	412000134		COCLEA6 F 70	WORMSCREW 6 F 70	VIS 6 F 70
29	412000143		COCLEA6 F 75	WORMSCREW 6 F 75	VIS6 F 75
29	412000135		COCLEA6 F 80	WORMSCREW 6 F 80	VIS6 F 80
29	412000139		COCLEA 8 F 70	WORMSCREW 8 F 70	VIS 8 F 70
29	412000147		COCLEA8 F 75	WORMSCREW 8 F 75	VIS 8 F 75
29	412000148		COCLEA8 F 80	WORMSCREW 8 F 80	VIS 8 F 80
30	236060107		CORONA	CROWN	COURONNE
31	224015804		CARTER	GUARD	PROTECTION
32	409900049		CARTER	GUARD	PROTECTION
33	390012314		VITE	SCREW	VIS
34	330012011		CUSCINETTO	BEARINGASSY	PALIER
35	336012021		DADO AUTOBLOCCANTE	SELFLOCKING NUT	ECROUAUTOBLOQUANT
36	336008019		DADO AUTOBLOCCANTE	SELFLOCKING NUT	ECROUAUTOBLOQUANT
37	275050081A		RONDELLA SP. 1	WASHER SP. 1	RONDELLE SP. 1
38	275050081		RONDELLA SP. 0,5	WASHER SP. 0,5	RONDELLE SP. 0,5
39	222055005		BRONZINA	BUSHING	FOURREAU
40	504400002		CORONA	CROWNGEAR	COURONNE
41	203030011		PERNO ESAGONALE	PIN	PIVOT

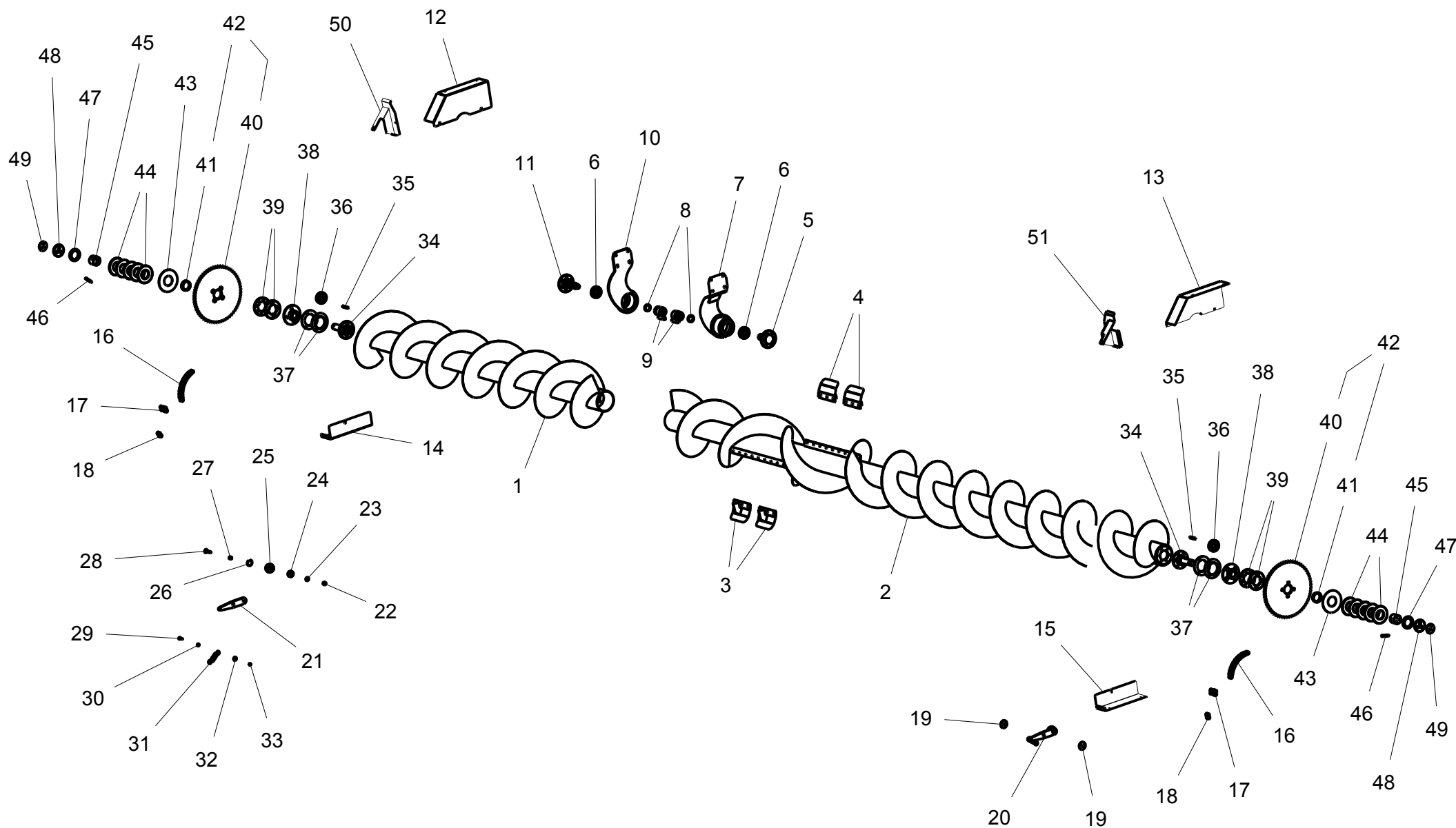


POS.	CODE	Q.TA'	DESCRIZIONE	DESCRIPTION	DESCRIPTION
1	412000177		COCLEA DX12X70	RH WORMSCREW 12X70	VIS D. 12X70
1	412000216		COCLEA DX 12X75	RH WORMSCREW 12X75	VIS D. 12X75
1	412000272		COCLEA DX 12X76.2	RH WORMSCREW 12X76.2	VIS D. 12X76.2
2	412000176		COCLEA SX 12X70	LH WORMSCREW 12X70	VIS G. 12X70
2	412000217		COCLEA SX 12X75 – 12X76.2	LH WORMSCREW 12X75 – 12X76.2	VIS G. 12X75 – 12X76.2
3	417800005		DENTE	TOOTH	DENT
4	417800004		DENTE	TOOTH	DENT
5	203035140		MOZZO	HUB	MOYEU
6	330035006		CUSCINETTO	BEARING ASSY	PALIER
7	478000269		SUPPORTO COCLEA SX	LH AUGER SUPPORT	SUPPORT VIS SANS FIN G
8	242032045		DISTANZIALE		
9	255018018		INNESTO	INNESTION	INNUCTION
10	478000270		SUPPORTO COCLEA DX	RH AUGER SUPPORT	SUPPORT VIS SANS FIN D
11	203035141		MOZZO	HUB	MOYEU
12	224015817		CARTER DX	RH GUARD	PROTECTION D
13	224015803		CARTER SX	LH GUARD	PROTECTION G
14	224015818		CARTER DX	RH GUARD	PROTECTION D
15	224015804		CARTER SX	LH GUARD	PROTECTION G
16	320019096		CATENA	CHAIN	CHAINE
17	345019 004		GIUNTO	JOINT	JOINT
18	345019007		MAGLIA FALSA	LINK CRANKED	FAUX-MAILLON
19	275050081		RONDELLA	WASHER	RONDELLE
20	582200029		TENDICATENA COMPLETO	COMPLETE CHAIN TIGHTENER	TENDEUR DE CHAINE COMPLET
21	287000158		FLANGIA	FLANGE	BRIDE
22	336012021		DADO UNI 7474 M12	UNI 7474 M12 NUT	ECROU UNI 7474 M12
23	375012021		RONDELLA Ø12 UNI 6592	WASHER Ø12 UNI 6592	RONDELLE Ø12 UNI 6592

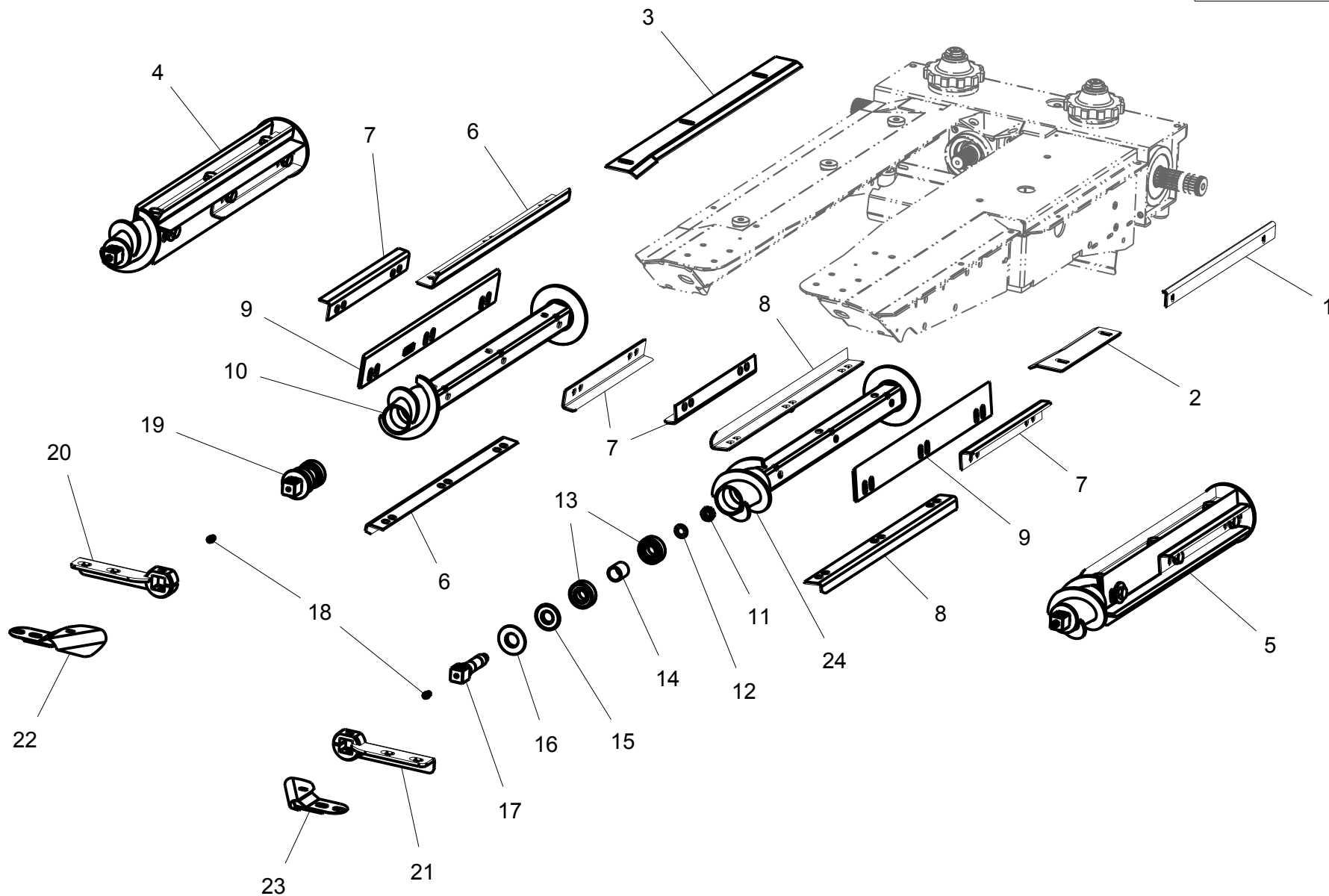


POS.	CODE	Q.TA'	DESCRIZIONE	DESCRIPTION	DESCRIPTION
24	330012011		CUSCINETTO 6301-2RS	BEARING ASSY 6301-2RS	PALIER 6301-2RS
25	216150001		RUOTA TENDICATENA	TEXTILE WHEEL	ROUE TEXTILE
26	302037009		ANELLO ELAST. UNI 7437 D=37	RETAINIG RING UNI 7437 D=37	ARRETOIR UNI 7437 D=37
27	210014003		BUSSOLA	COMPASS	COMPASS
28	390012314		VITE UNI 5933 M12X50	UNI 5933 M12X50	UNI 5933 M12X50
29	390008211		VITE UNI 5933 M8X30	UNI 5933 M8X30	UNI 5933 M8X30
30	375008019		ROSETTA UNI 6592 8.4X17	UNI 6592 8.4X17	UNI 6592 8.4X17
31	259075003		MOLLA TENDI GRUPPO	SPRING	PRINTEMPS
32	375008002		ROSETTA UNI 6593 9X24	UNI 6593 9X24	UNI 6593 9X24
33	336008019		DADO UNI 7474 M8	UNI 7474 M8	UNI 7474 M8
34	203035199		PERNO COMANDO COCLEA	PIN	GOUJON
35	325010003		LINGUETTA UNI 6604 A 10X8X36	UNI 6604 A 10X8X36	UNI 6604 A 10X8X36
36	330035006		CUSCINETTO YET 207 INA 35 NPPB	207 INA 35 NPPB	207 INA 35 NPPB
37	340035001		FLANGIA	FLANGE	BRIDE
38	261000107		MOZZO	HUB	MOYEU
39	255004020		INNESTO	INNESTION	INNUCTION
40	236060107		CORONA	CROWN	COURONNE
41	222055005		BRONZINA	BUSH	BUSH
42	504400002		CORONA + BRONZINA	CROWN + BUSH	COURONNE + BUSH
43	275144161		RONDELLA	WASHER	RONDELLE
44	359112010		MOLLA A TAZZA DIN 2093 Ø112x57x6	DIN 2093 Ø112x57x6	DIN 2093 Ø112x57x6
45	203055192		MOZZO	HUB	MOYEU
46	203010178		SPINA FERMO	PIN	GOUJON
47	242019077		DISTANZIALE		
48	275076101		RONDELLA	WASHER	RONDELLE
49	256002666		LAMIERA FERMA DADI		

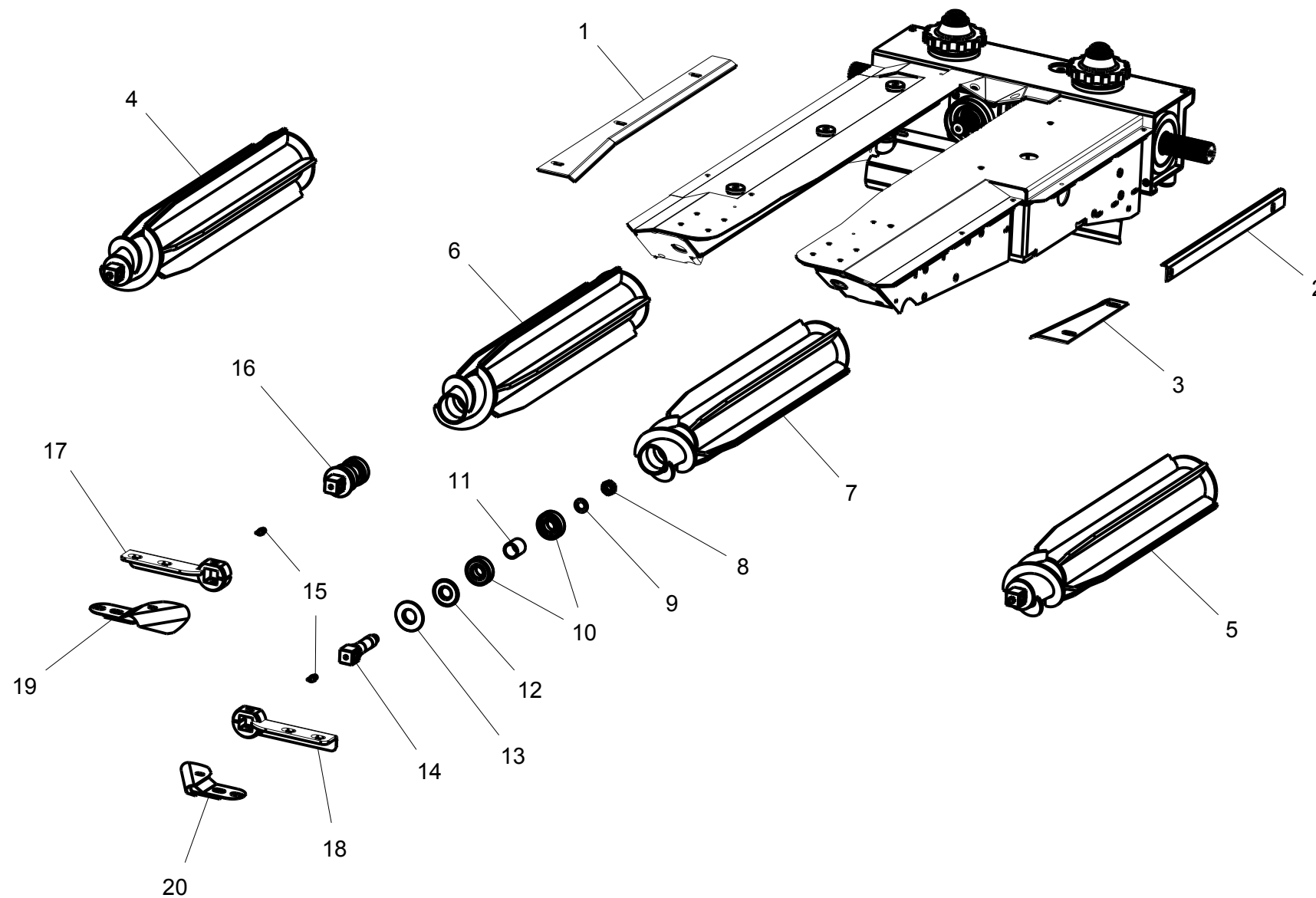




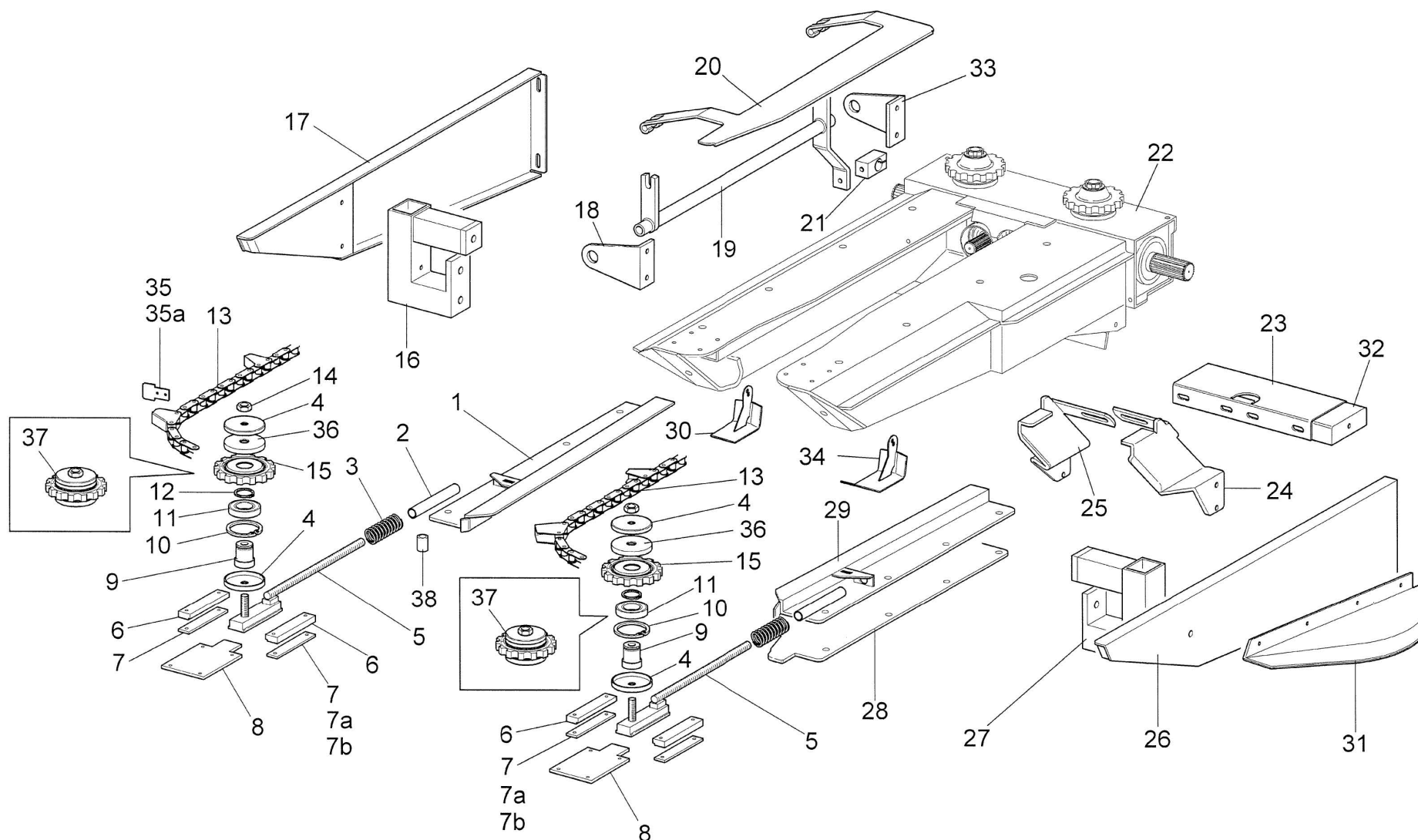
POS.	CODE	Q.TA'	DESCRIZIONE	DESCRIPTION	DESCRIPTION
1	274040067		RASCHIATORE SX PER R. L.	LH SCRAPER	RACLETTEG
2	274040036		RASCHIATORE SX	LH SCRAPER	RACLETTEG
3	274040034		RASCHIATORE DX	RH SCRAPER	RACLETTE D
4	569000035		RULLO SPANNOCCHIATORE DX	RH ROLLER EAR REMOVAL	ROULEAU CUEIL. D
5	569000036		RULLO SPANNOCCHIATORE SX	LH ROLLER EAR REMOVAL	ROULEAU CUEIL. G
6	271030032		LAMA ANGOLARE DX	RH BLADE	LAMES D
7	271030034		LAMA ANGOLARE CORTA	SHORT BLADE	LAMES COURTE
8	271030033		LAMA ANGOLARE SX	LH BLADE	LAMES G
9	271060020		LAMA	BLADE	LAMES
10	474500035		RULLO SPANNOCCHIATORE SX	LH ROLLER EAR REMOVAL	ROULEAU CUEIL. G
11	336014016		DADO	NUT	ECROU
12	375014038		RONDELLA	WASHER	RONDELLA
13	330020002		CUSCINETTO	BEARING ASSY	PALIER
14	242029001		DISTANZIALE	SPACER	ENTRETOISE
15	375020007		PROTEZIONE	PROTECTION	PROTECTION
16	275053060		RONDELLA	WASHER	RONDELLA
17	203025064		PERNO	PIN	AXE
18	356000004		INGRASSATORE	GREASING NIPPLE	GRAISSEUR
19	565100004		RASCHIATORE DX	RH SCRAPER	RACLETTE D
20	478000309		SUPPORTO ANTERIORE DX	RH SUPPORT	SUPPORT D
21	478000308		SUPPORTO ANTERIORE SX	LH SUPPORT	SUPPORT G
22	467000136		PROTEZIONE DX	RH PROTECTION	PROTECTION D
23	467000137		PROTEZIONE SX	LH PROTECTION	PROTECTION G
24	474500034		RULLO SPANNOCCHIATORE DX	RH ROLLER EAR REMOVAL	ROULEAU CUEIL. D

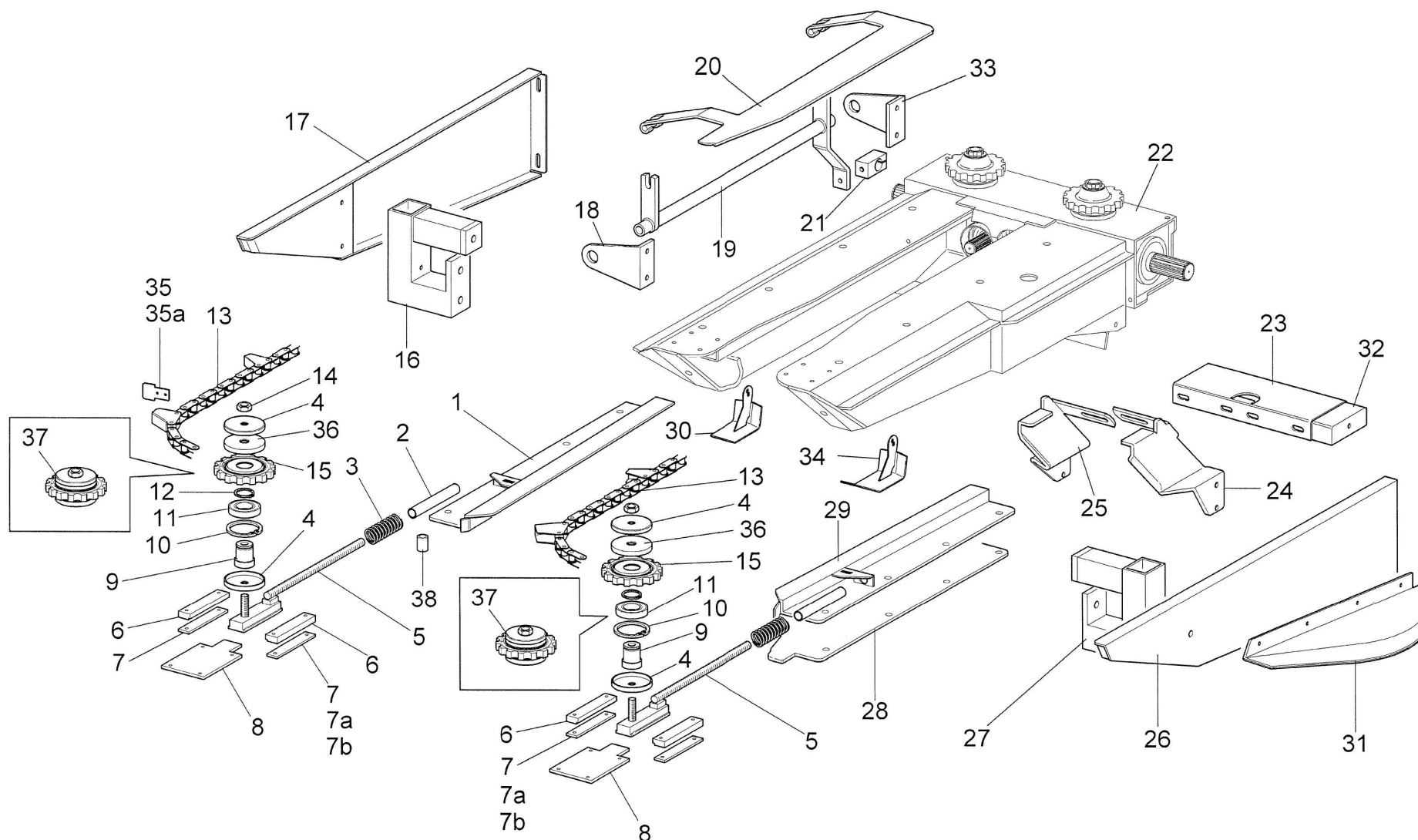


POS.	CODE	Q.TA'	DESCRIZIONE	DESCRIPTION	DESCRIPTION
1	274040038		RASCHIATORE DX	RH SCRAPER	RACLETTE D
2	274040041		RASCHIATORE SX PER R. L.	LH SCRAPER	RACLETTEG
3	274040033		RASCHIATORE SX	LH SCRAPER	RACLETTEG
4	569000029		RULLO SPANNOCCHIATORE DX	RH ROLLER EAR REMOVAL	ROULEAU CUEIL. D
5	569000030		RULLO SPANNOCCHIATORE SX	LH ROLLER EAR REMOVAL	ROULEAU CUEIL. G
6	474500022		RULLO SPANNOCCHIATORE SX	LH ROLLER EAR REMOVAL	ROULEAU CUEIL. G
7	474500023		RULLO SPANNOCCHIATORE DX	RH ROLLER EAR REMOVAL	ROULEAU CUEIL. D
8	336014016		DADO	NUT	ECROU
9	375014038		RONDELLA	WASHER	RONDELLA
10	330020002		CUSCINETTO	BEARING ASSY	PALIER
11	242029001		DISTANZIALE	SPACER	ENTRETOISE
12	375020007		PROTEZIONE	PROTECTION	PROTECTION
13	275053060		RONDELLA	WASHER	RONDELLA
14	203025064		PERNO	PIN	AXE
15	356000004		INGRASSATORE	GREASING NIPPLE	GRAISSEUR
16	565100004		RASCHIATORE DX	RH SCRAPER	RACLETTE D
17	478000309		SUPPORTO ANTERIORE DX	RH SUPPORT	SUPPORT D
18	478000308		SUPPORTO ANTERIORE SX	LH SUPPORT	SUPPORT G
19	467000136		PROTEZIONE DX	RH PROTECTION	PROTECTION D
20	467000137		PROTEZIONE SX	LH PROTECTION	PROTECTION G

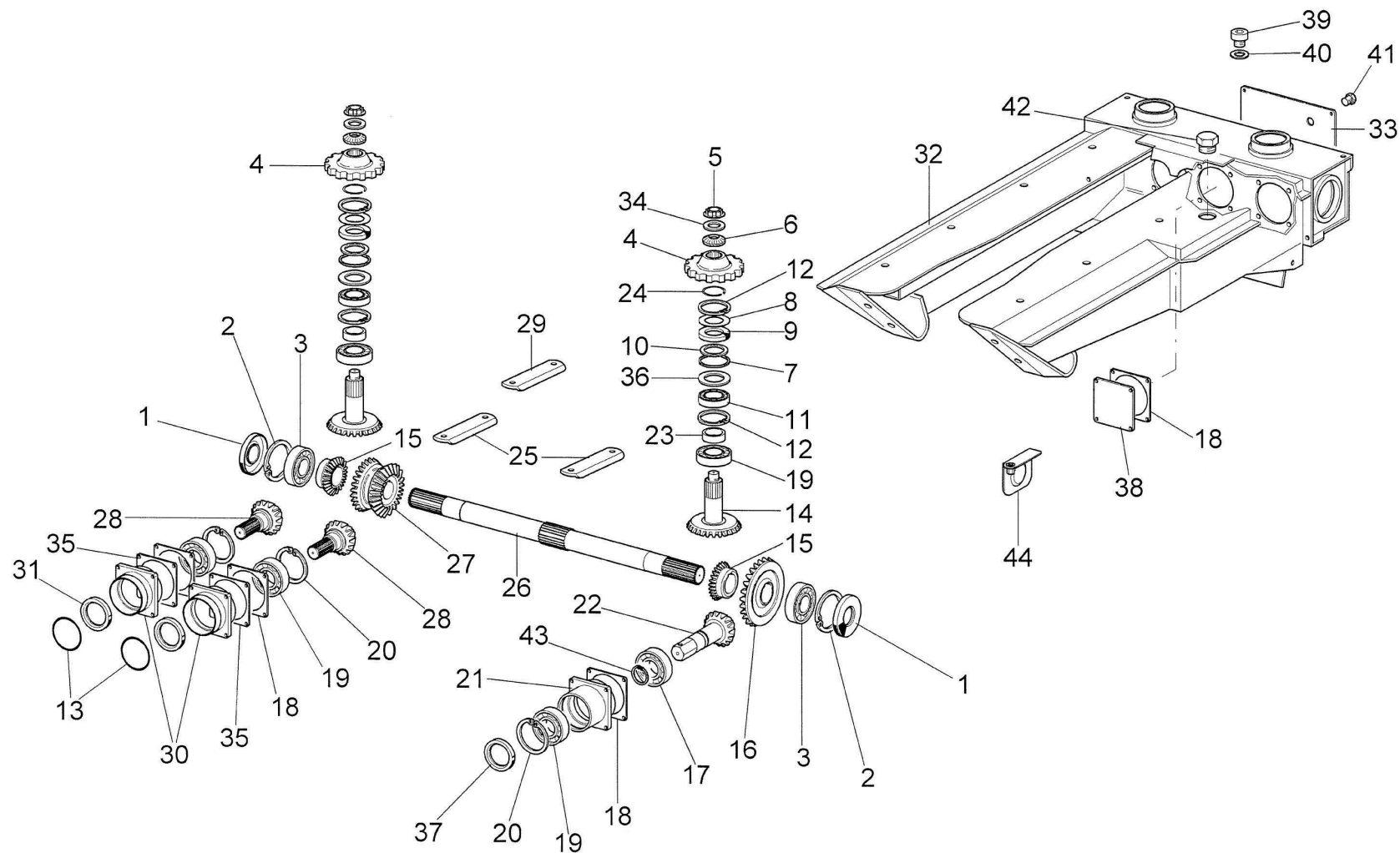


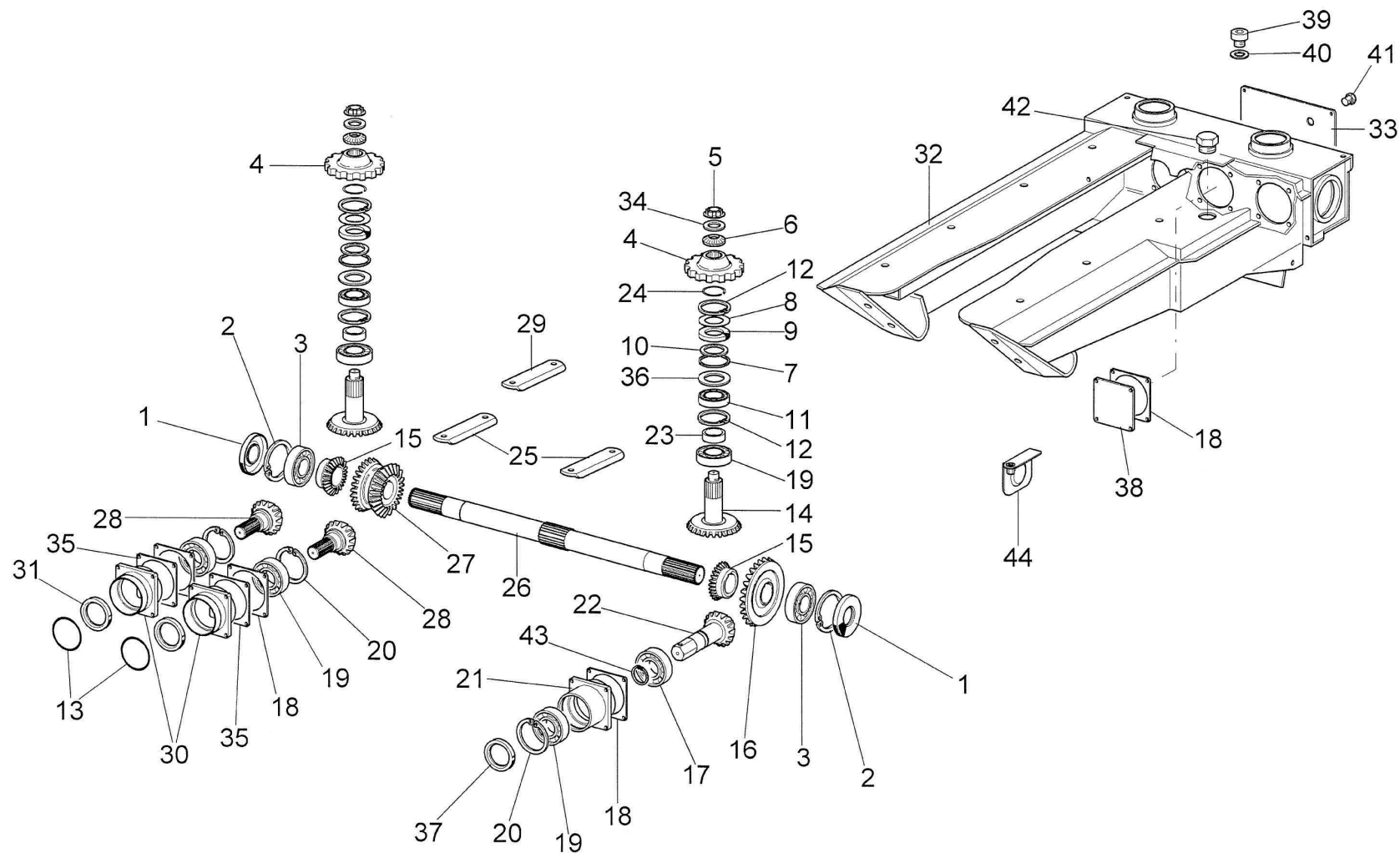
POS.	CODE	Q.TA'	DESCRIZIONE	DESCRIPTION	DESCRIPTION
1	433500026		GUIDACATENA DX	RH CHAIN GUIDE	GUIDE CHAINE D
2	248021394		TUBO MOLLA	PIPE SPRING	TUYAU RESSORT
3	259140044		MOLLA	SPRING	RESSORT
4	234030013		COPERCHIO	COVER	COUVERCLE
5	480000024		STAFFA	BRACKET	ATTA CHE
6	288000017		SLITTA	SLIDE	GLISSIERE
7	262000036		SPESSORE 1	THICKNESS 1	EPAISSEUR 1
7	262000038		SPESSORE 0,5	THICKNESS 0,5	EPAISSEUR 0,5
7	262000037		SPESSORE 1,5	THICKNESS 1,5	EPAISSEUR 1,5
8	256002260		LAMIERA RINFORZO	REINFORCEMENT PLATE	TOLE RENFORT
9	203040161		PERNO	PIN	AXE
10	302062005		ANELLO ELASTICO	RETAINIG RING	ARRETOIR
11	330035003		CUSCINETTO	BEARINGASSY	PALIER
12	302035003		ANELLO ELASTICO	RETAINIG RING	ARRETOIR
13	320030095		CATENA	CHAIN	CHAINE
14	336018067		DADO	NUT	ECROU
15	236014035		CORONA	CROWN	COURONNE
16	478000338		SUPPORTO DX	SUPPORT RH	SUPPORT D
17	478000359		SUPPORTO DX	SUPPORT RH	SUPPORT D
18	480000042		STAFFA ANTERIORE	BRACKET	ATTACHE
19	445000037		LEVA	LEVER	LEVIER
20	463800036		PIATTO DX	RH PLATE	PLATD
21	244030026		BLOCCHETTO	SUB BASE	BLOC
22	378000018		SCATOLA CON TELAIO	BOX WITH FRAME	BOITEAVEC CHASSIS
23	256002290		COLLEGAMENTO SX CENTRALE	LH CENTRAL CONNECTION	CONNECTION G CENTRAL
24	256002235		GUIDACATENA DX	RH CHAIN GUIDE	GUIDE CHAINE D



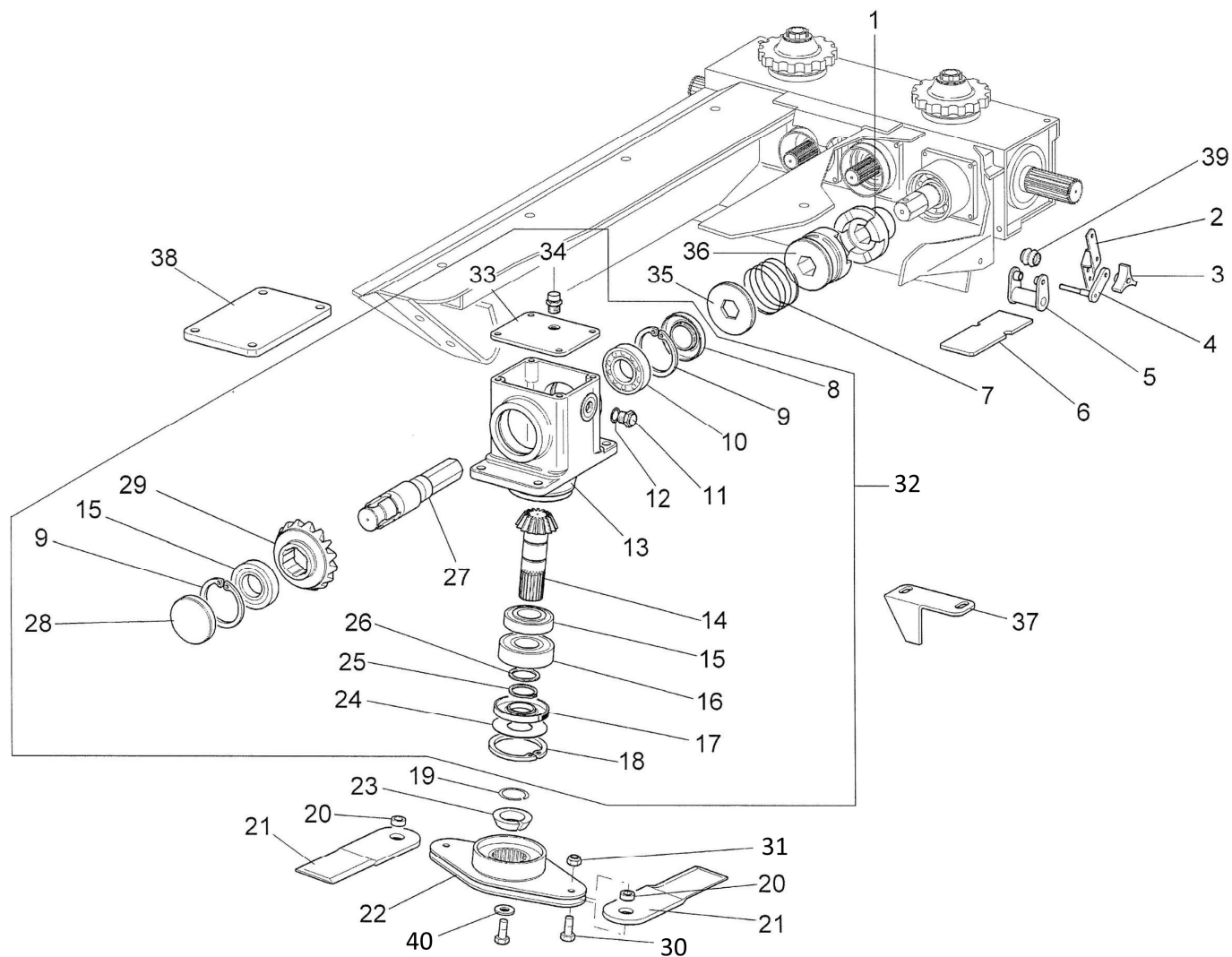


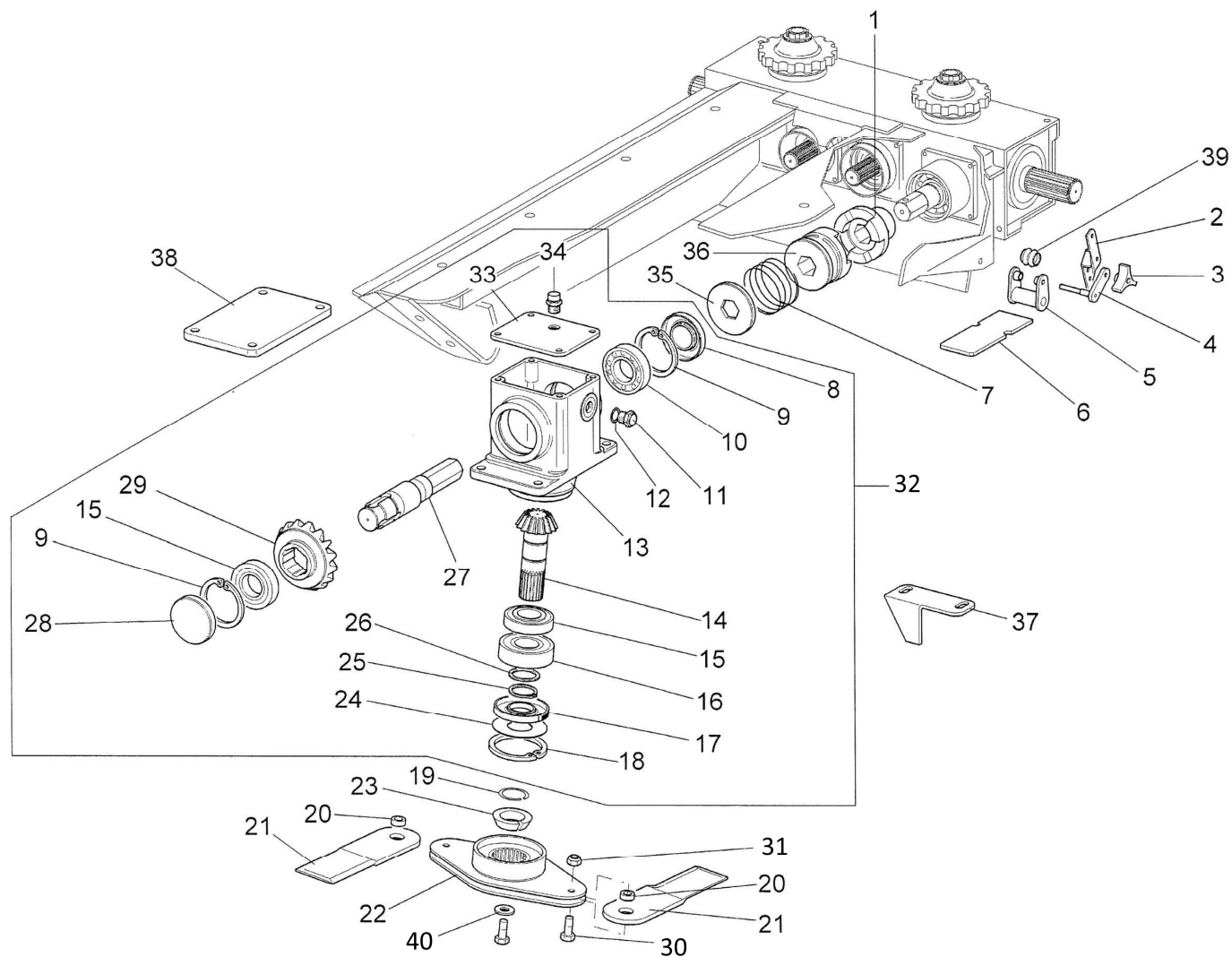
POS.	CODE	Q.TA'	DESCRIZIONE	DESCRIPTION	DESCRIPTION
1	301035031		ANELLO DI TENUTA	SEALRING	JOINT
2	302080010		ANELLO ELASTICO	RETA INIG RING	ARRETOIR
3	330035050		CUSCINETTO	BEARINGASSY	PALIER
4	265011073		PIGNONE	PINION GEAR	PIGNON
5	346020002		GHIERA M20x1	LOCK RING M20x 1	COLLIER DE SERRAGE M20x1
6	275045077		RONDELLA	WASHER	RONDELLE
7	302035003		ANELLO ELASTICO	RETAINIG RING	ARRETOIR
8	275061076		RONDELLA	WASHER	RONDELLE
9	301035032		ANELLO DI TENUTA	SEALRING	JOINT
10	242004057		DISTANZIALE	SPACER	ENTRETOISE
11	330035003		CUSCINETTO	BEARINGASSY	PALIER
12	302062005		ANELLO ELASTICO	RETAINIG RING	ARRETOIR
13	365000026		OR 2137	OR 2137	OR 2137
14	264521013		PIGNONE Z21	PINION GEAR Z2 1	PIGNON Z21
15	264514011		PIGNONE Z14	PINION GEAR Z14	PIGNON Z14
16	235431009		CORONAZ31	CROWN Z31	COURONNE Z31
17	330035051		CUSCINETTO	BEARING ASSY	PALIER
18	253105001		GUARNIZIONE G. SP. 05	GASKET G. SP. 05	JOINT G. SP. 05
18	253205003		GUARNIZIONE P. SP. 05	GASKET P. SP. 05	JOINT P. SP. 05
19	330035015		CUSCINETTO	BEARINGASSY	PALIER
20	302072006		ANELLO ELASTICO	RETAINIG RING	ARRETOIR
21	261065094		FLANGIA	FLANGE	BRIDE
22	264414010		PIGNONE Z14	PINION GEAR Z14	PIGNON Z14
23	242013060		DISTANZIALE	SPACER	ENTRETOISE
24	303032007		ANELLO D'ARRESTO	STOP RING	ARRETOIR
25	263060001		STAFFA	BRACKET	AITACHE

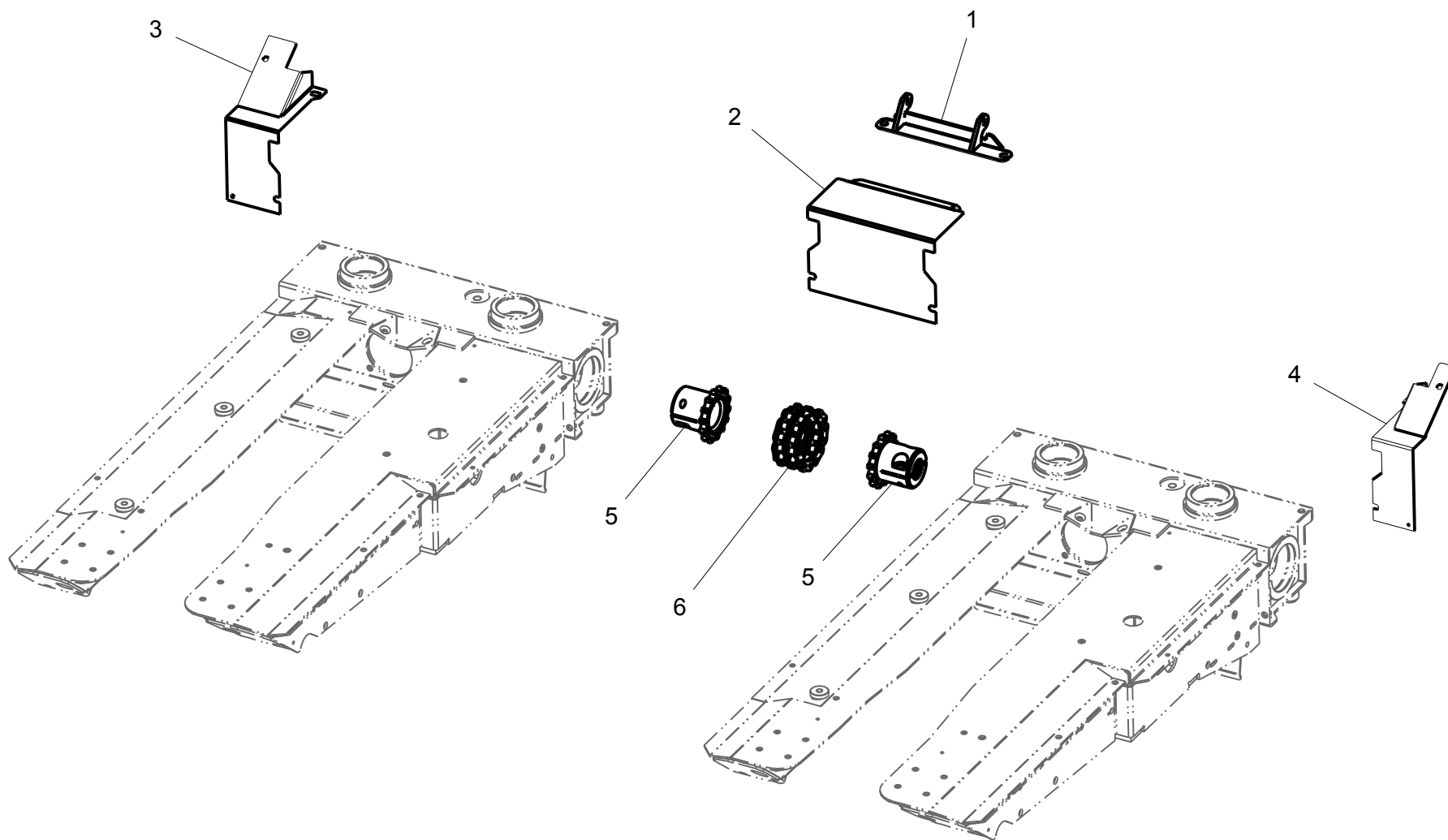




POS.	CODE	Q.TA'	DESCRIZIONE	DESCRIPTION	DESCRIPTION
1	255003017		INNESTO	CLUTCH	EMBRAYAGE
2	256002245		LAMIERA REGISTRO	ADJUSTER SHEET	TOLE DE REGLAGE
3	381000006		VOLANTINO	HANDWHEEL	VOLANT
4	445000036		LEVA	LEVER	LEVIER
5	424800005		FORCELLA	FORK	FOURCHE
6	237000016		COPERCHIO	COVER	COUVERCLE
7	259060049		MOLLA	SPRING	RESSORT
8	301035013		ANELLO DI TENUTA	SEALRING	JOINT
9	302072006		ANELLO ELASTICO	RETAINIG RING	ARRETOIR
10	330035051		CUSCINETTO	BEARING ASSY	PALIER
11	385000016		TAPPO C/LIVELLO	PLUG	BOUCHON
12	374038002		RONDELLA 3/8	WASHER 3/8	RONDELLE 3/8
13	278000008		SCATOLA	BOX	BOITE
14	264413009		PIGNONE	PINION GEAR	PIGNON
15	330035039		CUSCINETTO	BEARING ASSY	PALIER
16	330035050		CUSCINETTO	BEARINGASSY	PALIER
17	301035031		ANELLO DI TENUTA	SEALRING	JOINT
18	302080010		ANELLO ELASTICO	RETAINIG RING	ARRETOIR
19	303032007		ANELLO DI ARRESTO	STOP RING	ARRETOIR
20	218006005		BOCCOLA	BUSHING	DOUILLE
21	271060030		LAMA	BLADE	LAMES
22	478000303		SUPPORTO	SUPPORT	SUPPORT
23	210050086		BUSSOLA	BUSH	DOUILLE
24	275080096		SPESSORE 35-80-1	THICKNESS 35-80-1	EPAISSEUR 35-80-1
25	302035003		ANELLO ELASTICO	RETAINIG RING	ARRETOIR
26	375035049		SPESSORE	THICKNESS	EPAISSEUR

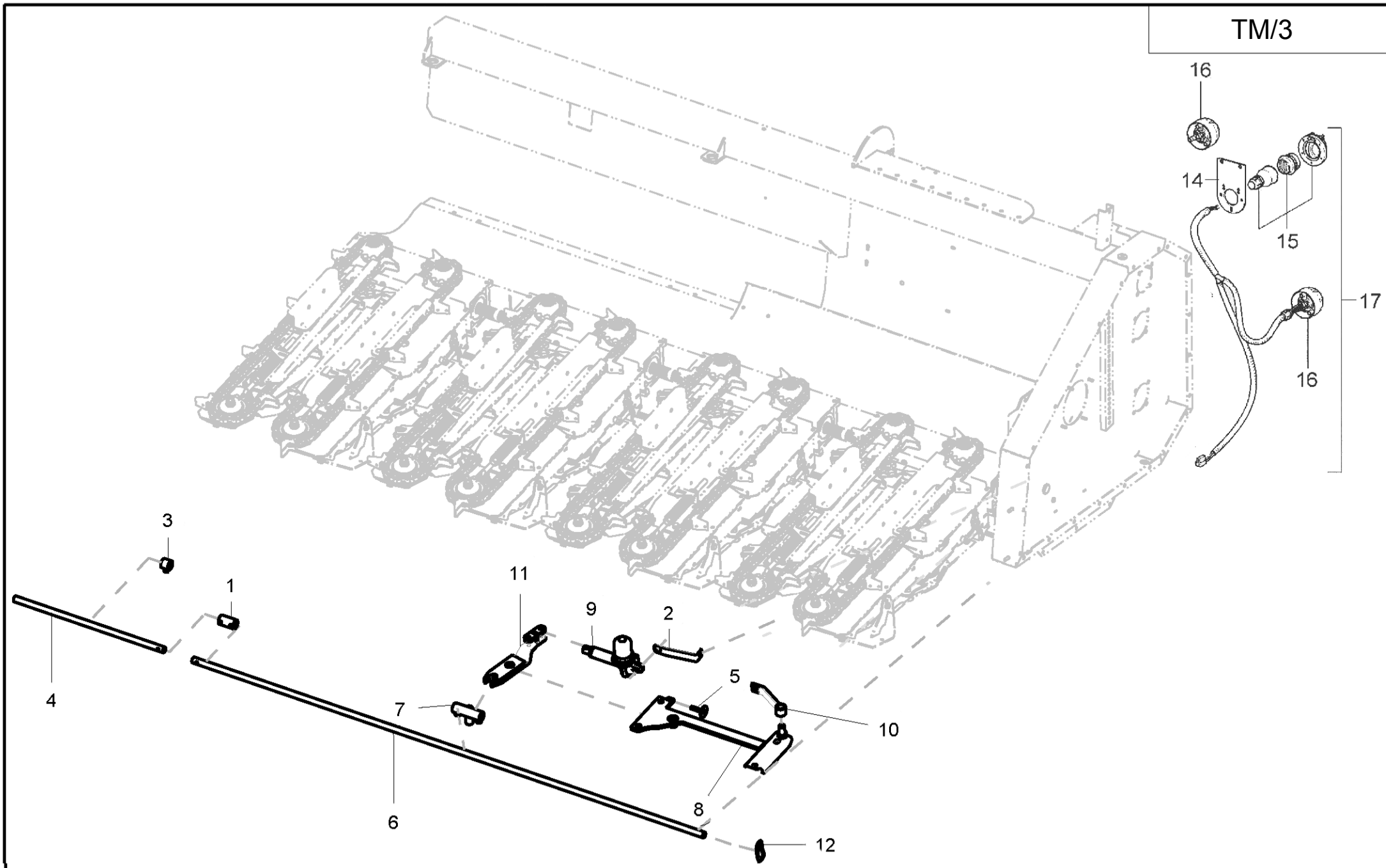






POS.	CODE	Q.TA'	DESCRIZIONE	DESCRIPTION	DESCRIPTION
1	210034112		BUSSOLA	BUSH	DOUILLE
2	284000109		STAFFA	BRACKET	ATTACHE
3	210033089		BUSSOLA BLOCCAGGIO MOLLA	BUSH	DOUILLE
4	207021111		ASTA DESTRA 5 FILE 70	RH ROD 5X70	TIGE D. 5X70
4	207021112		ASTA DESTRA 5 FILE 75	RH ROD 5X75	TIGE D. 5X75
4	207021113		ASTA DESTRA 5 FILE 80	RH ROD 5X80	TIGE D. 5X80
4	207021114		ASTA DESTRA 6 FILE 70	RH ROD 6X70	TIGE D. 6X70
4	207021115		ASTA DESTRA 6 FILE 75	RH ROD 6X75	TIGE D. 6X75
4	207021116		ASTA DESTRA 6 FILE 80	RH ROD 6X80	TIGE D. 6X80
4	207021117		ASTA DESTRA 8 FILE 70	RH ROD 8X70	TIGE D. 8X70
4	207021118		ASTA DESTRA 8 FILE 75	RH ROD 8X75	TIGE D. 8X75
4	207021119		ASTA DESTRA 8 FILE 80	RH ROD 8X80	TIGE D. 8X80
5	297012028		VITE	SCREW	VIS
6	207021111		ASTA SINISTRO 5 FILE 70	LH ROD 5X70	TIGE G. 5X70
6	207021112		ASTA SINISTRO 5 FILE 75	LH ROD 5X75	TIGE G. 5X75
6	207021113		ASTA SINISTRO 5 FILE 80	LH ROD 5X80	TIGE G. 5X80
6	207021114		ASTA SINISTRO 6 FILE 70	LH ROD 6X70	TIGE G. 6X70
6	207021115		ASTA SINISTRO 6 FILE 75	LH ROD 6X75	TIGE G. 6X75
6	207021116		ASTA SINISTRO 6 FILE 80	LH ROD 6X80	TIGE G. 6X80
6	207021117		ASTA SINISTRO 8 FILE 70	LH ROD 8X70	TIGE G. 8X70
6	207021118		ASTA SINISTRO 8 FILE 75	LH ROD 8X75	TIGE G. 8X75
6	207021119		ASTA SINISTRO 8 FILE 80	LH ROD 8X80	TIGE G. 8X80
7	401000036		AGGANCIO PER PIASTRE	HOOK	ACCROCHAGE
8	478000315		SUPP.COMPL.MOTORE ELETT.	SUPPORT	SUPPORT
9	358000007		ATTUATORE ELETT. 12VOLT	ACTUATOR ELECTR. 12VOLT	ACTIONNEUR ELECTR. 12 VOLT
10	406000006		ATTACCO POST. ATTUATORE	CONNECTION	ATTELAGE
11	445000038		LEVA ATTUATORE	LEVER	LEVIER

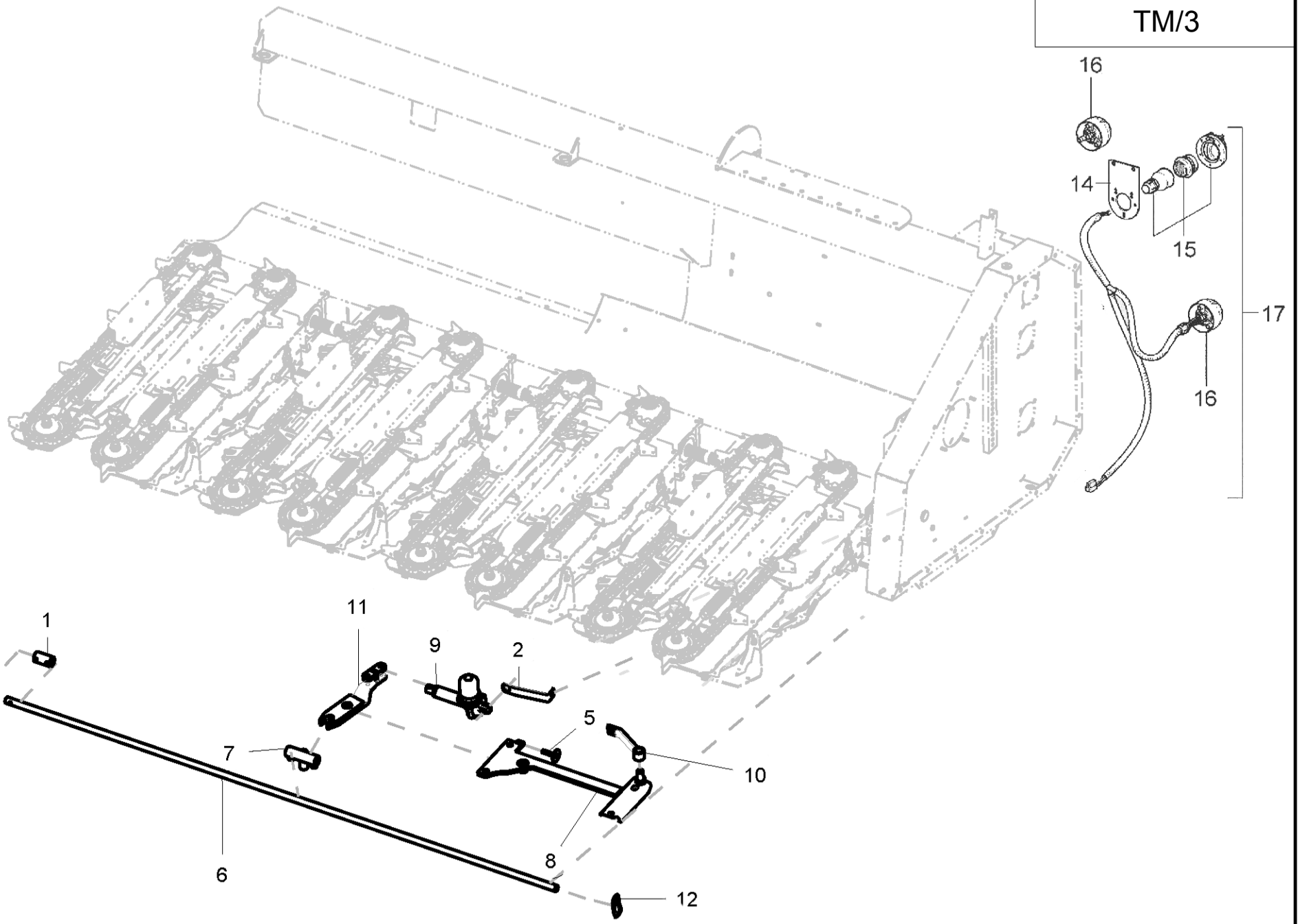
TM/3



COMANDO LAME ELETTRICHE
ELECTRICBLADE CONTROL
COMMANDE PLAQUES ELECTRIQUE

TAB.11

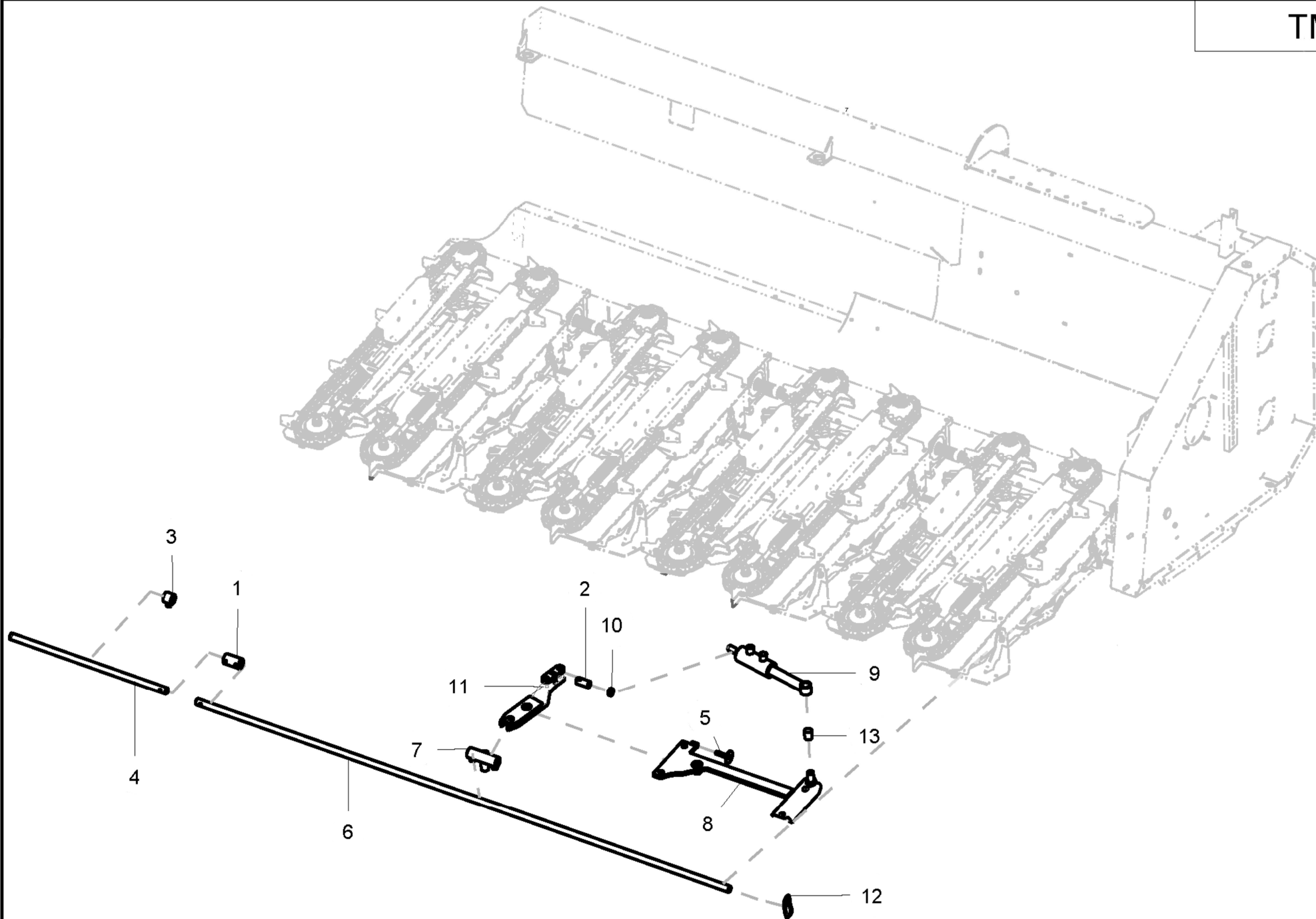
TM/3

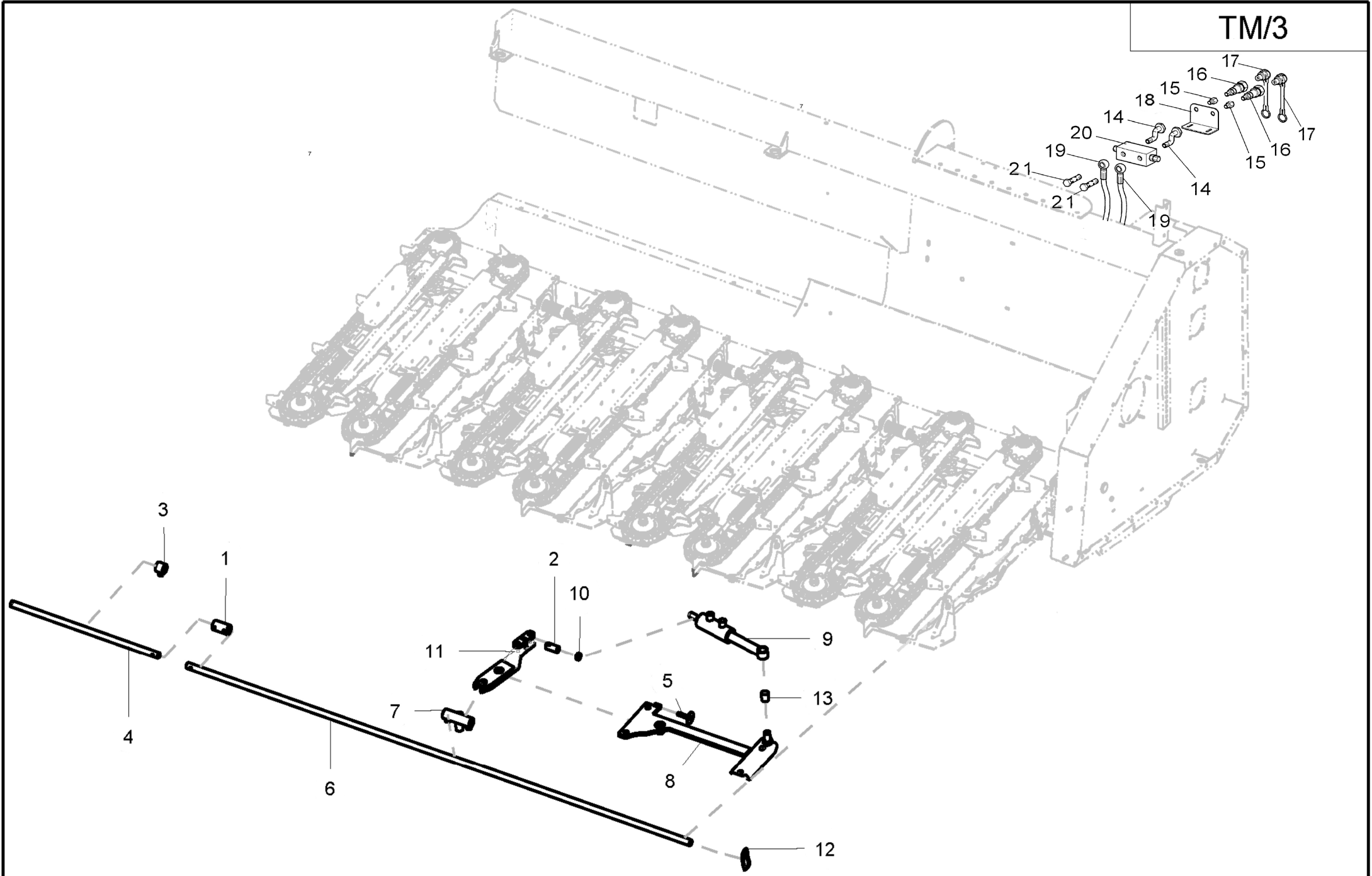


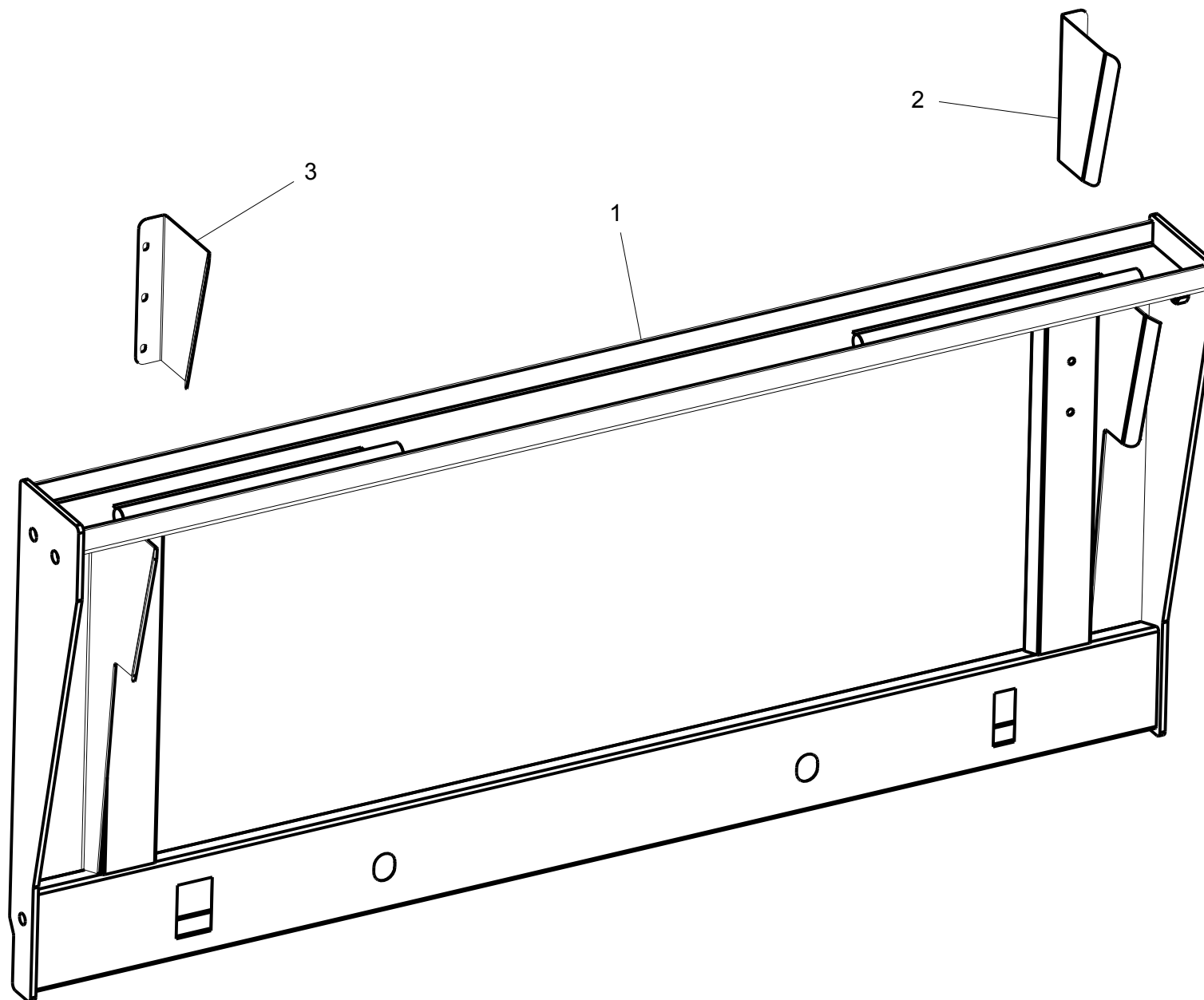
COMANDO LAME ELETTRICHE
ELECTRICBLADE CONTROL
COMMANDE PLAQUES ELECTRIQUE

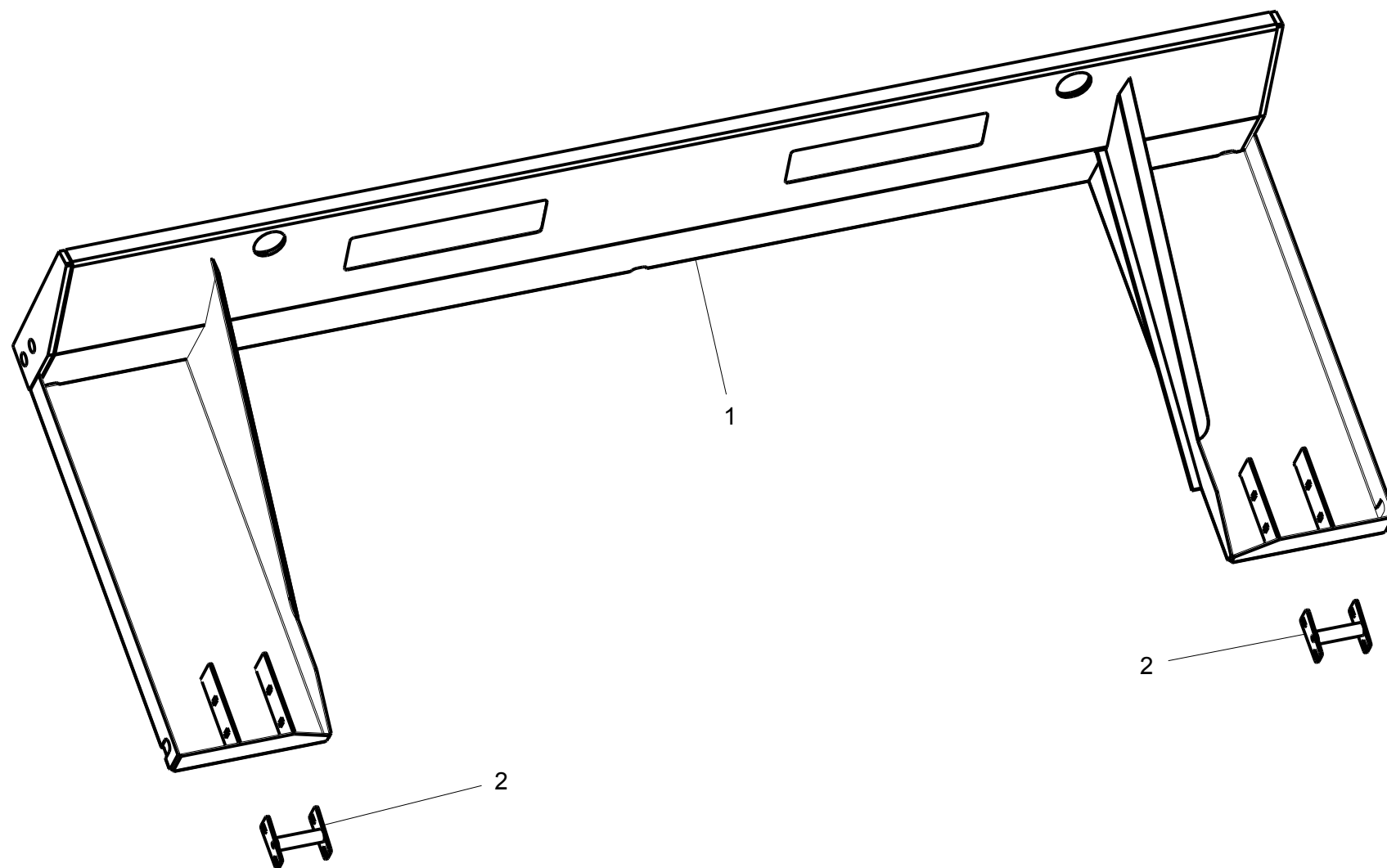
TAB.11

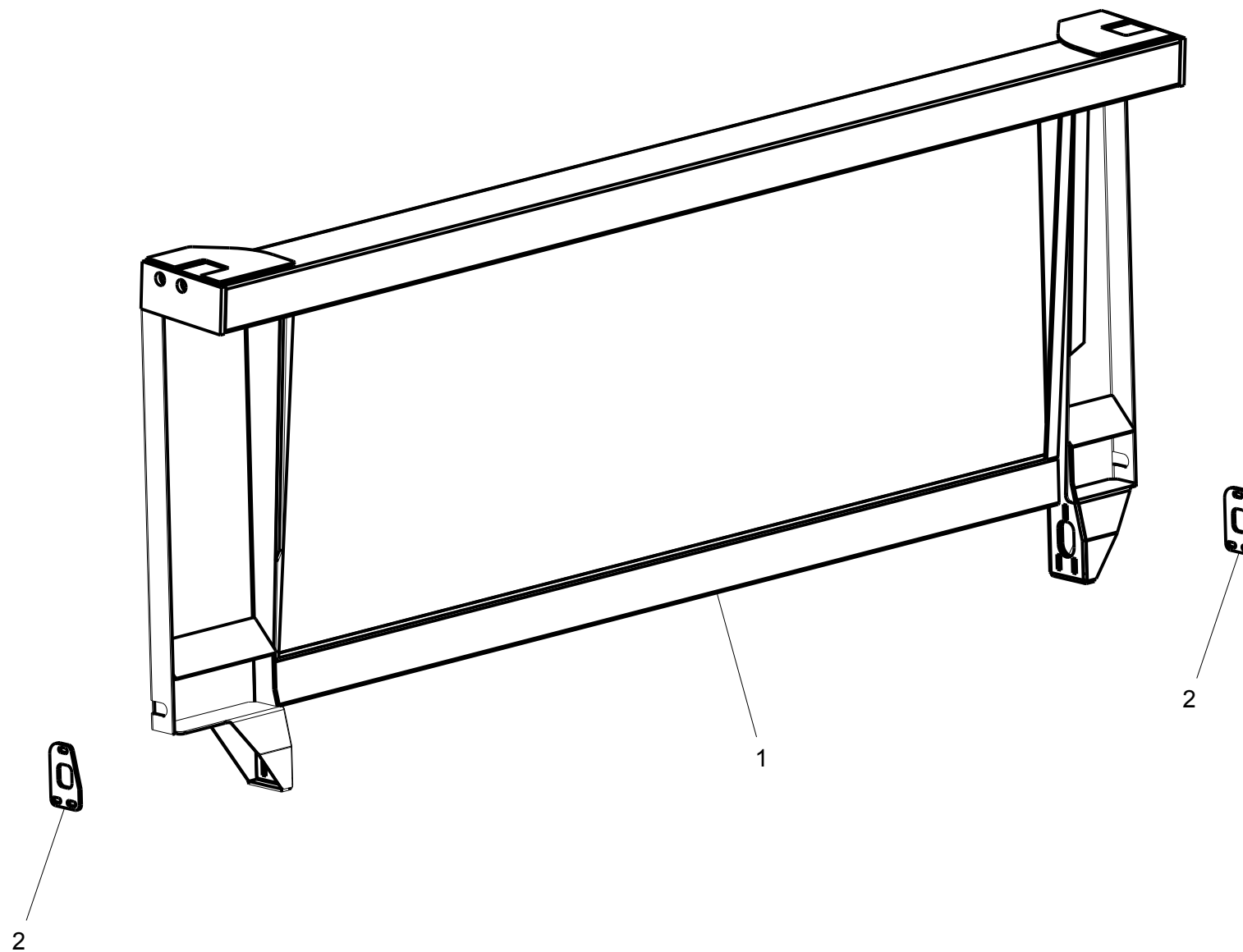
POS.	CODE	Q.TA'	DESCRIZIONE	DESCRIPTION	DESCRIPTION
1	210034112		BUSSOLA	BUSH	DOUILLE
2	244022032		BLOCCHETTO	SUB BASE	BLOC
3	210033089		BUSSOLA BLOCCAGGIO MOLLA	BUSH	DOUILLE
4	207021111		ASTA DESTRA 5 FILE 70	RH ROD 5X70	TIGE D. 5X70
4	207021112		ASTA DESTRA 5 FILE 75	RH ROD 5X75	TIGE D. 5X75
4	207021113		ASTA DESTRA 5 FILE 80	RH ROD 5X80	TIGE D. 5X80
4	207021114		ASTA DESTRA 6 FILE 70	RH ROD 6X70	TIGE D. 6X70
4	207021115		ASTA DESTRA 6 FILE 75	RH ROD 6X75	TIGE D. 6X75
4	207021116		ASTA DESTRA 6 FILE 80	RH ROD 6X80	TIGE D. 6X80
4	207021117		ASTA DESTRA 8 FILE 70	RH ROD 8X70	TIGE D. 8X70
4	207021118		ASTA DESTRA 8 FILE 75	RH ROD 8X75	TIGE D. 8X75
4	207021119		ASTA DESTRA 8 FILE 80	RH ROD 8X80	TIGE D. 8X80
5	297012028		VITE	SCREW	VIS
6	207021111		ASTA SINISTRO 5 FILE 70	LH ROD 5X70	TIGE G. 5X70
6	207021112		ASTA SINISTRO 5 FILE 75	LH ROD 5X75	TIGE G. 5X75
6	207021113		ASTA SINISTRO 5 FILE 80	LH ROD 5X80	TIGE G. 5X80
6	207021114		ASTA SINISTRO 6 FILE 70	LH ROD 6X70	TIGE G. 6X70
6	207021115		ASTA SINISTRO 6 FILE 75	LH ROD 6X75	TIGE G. 6X75
6	207021116		ASTA SINISTRO 6 FILE 80	LH ROD 6X80	TIGE G. 6X80
6	207021117		ASTA SINISTRO 8 FILE 70	LH ROD 8X70	TIGE G. 8X70
6	207021118		ASTA SINISTRO 8 FILE 75	LH ROD 8X75	TIGE G. 8X75
6	207021119		ASTA SINISTRO 8 FILE 80	LH ROD 8X80	TIGE G. 8X80
7	401000036		AGGANCIO PER PIASTRE	HOOK	ACCROCHAGE
8	478000315		SUPP.COMPL.MOTORE ELETT.	SUPPORT	SUPPORT
9	411000047		MARTINETTO	BOTTLE LIFT	VERIN
10	336016017		DADO M16 UNI 5589	NUT M16 UNI 5589	VIS M16 UNI 5589
11	445000038		LEVA ATTUATORE	LEVER	LEVIER

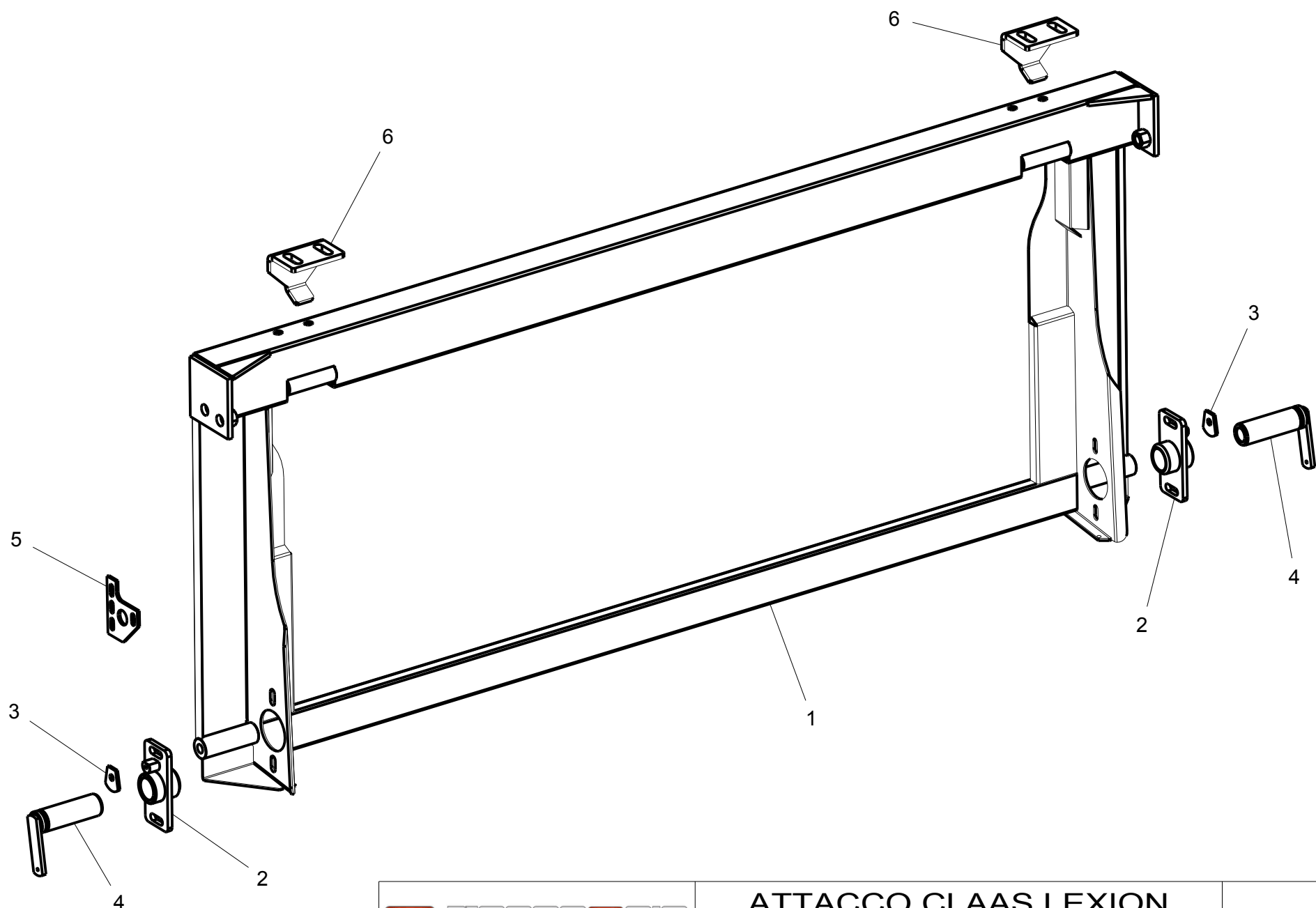


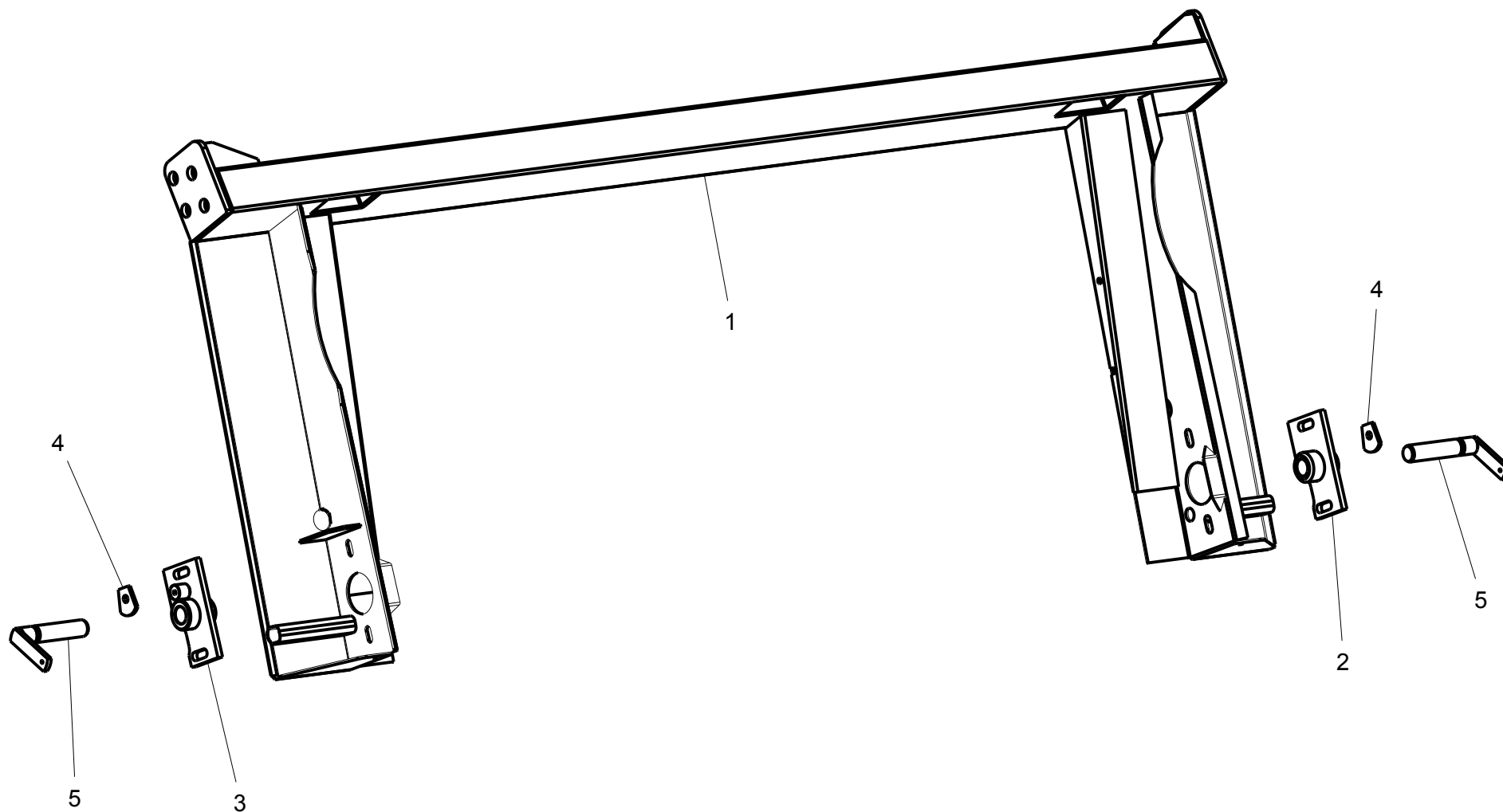


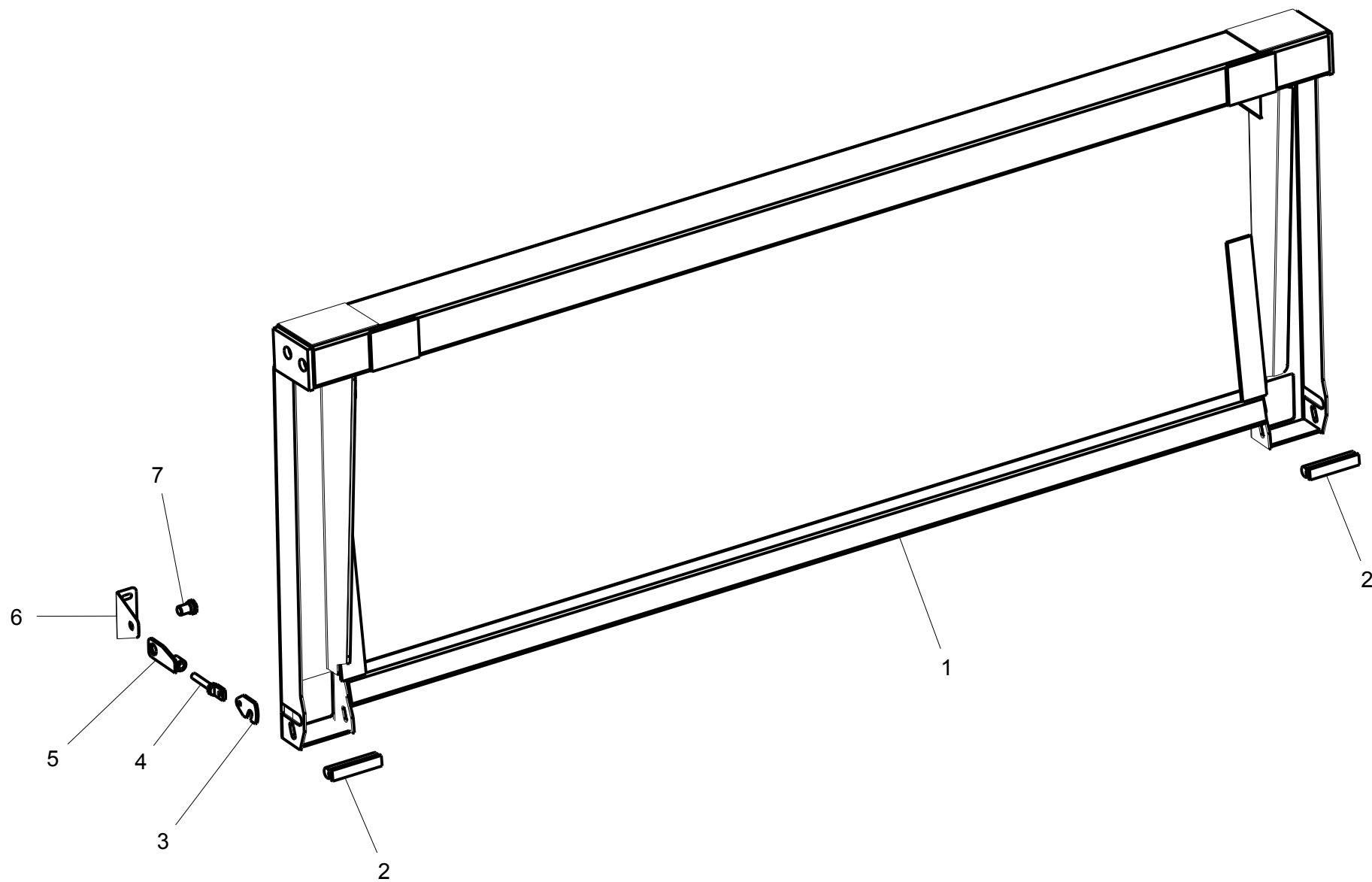


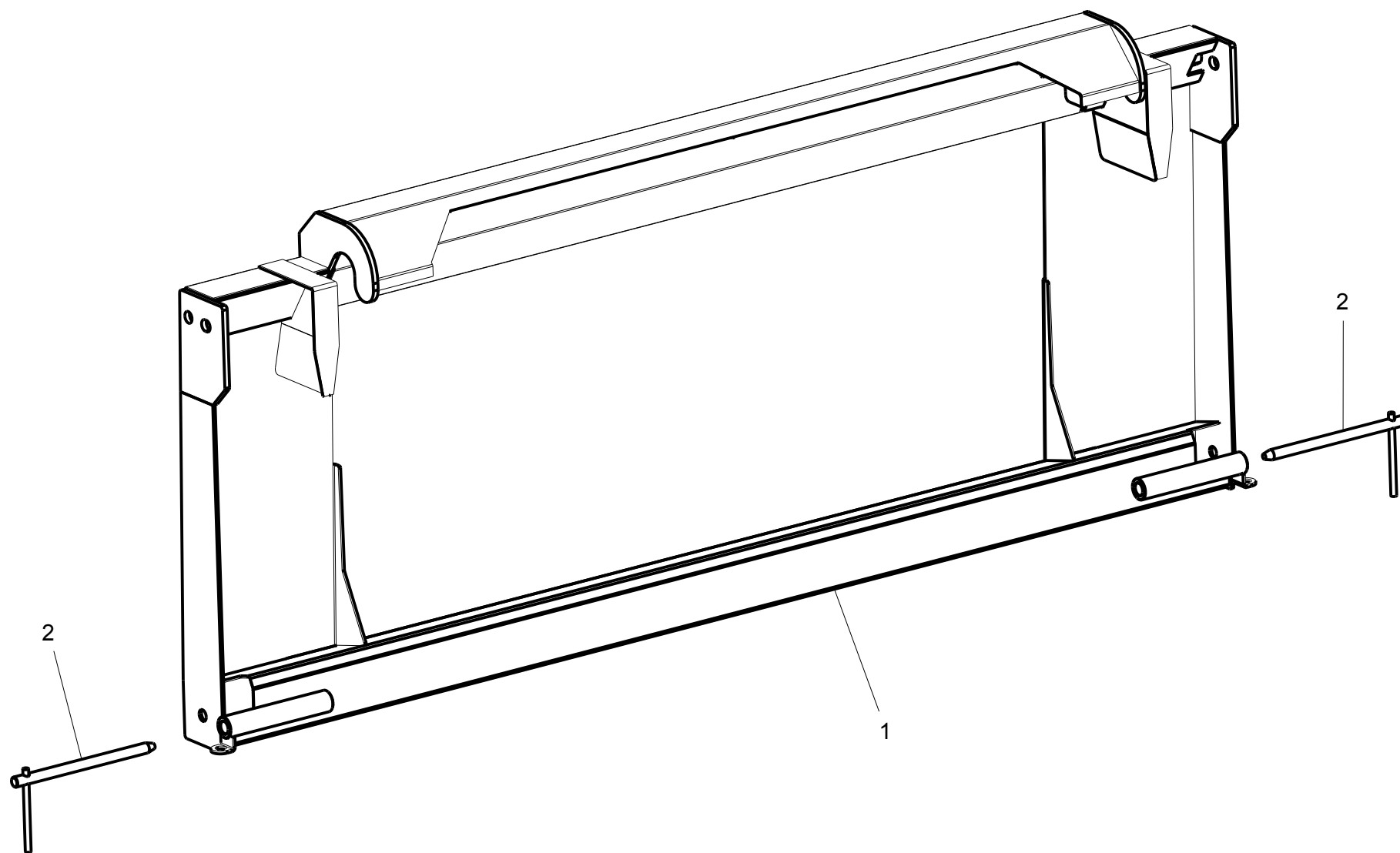


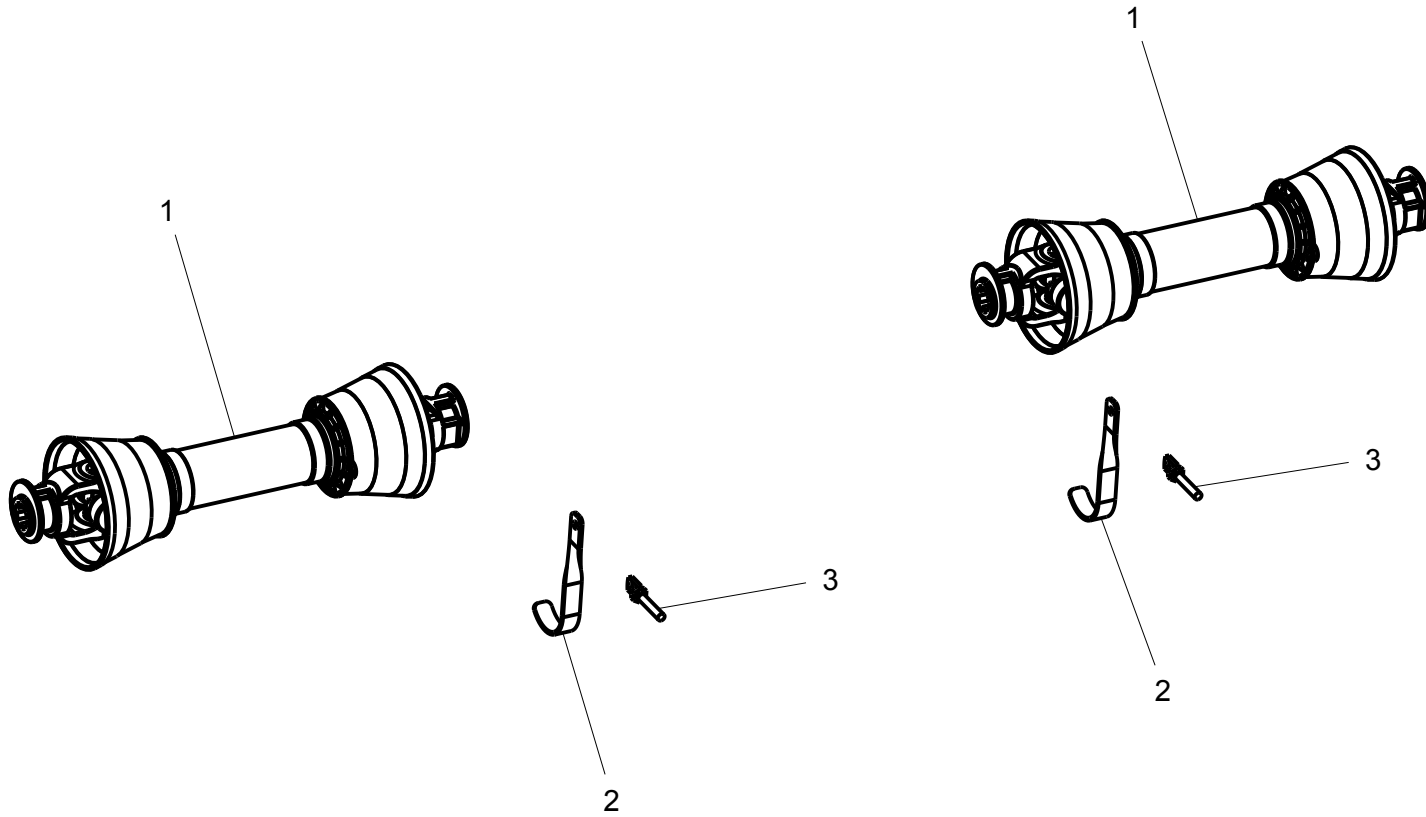




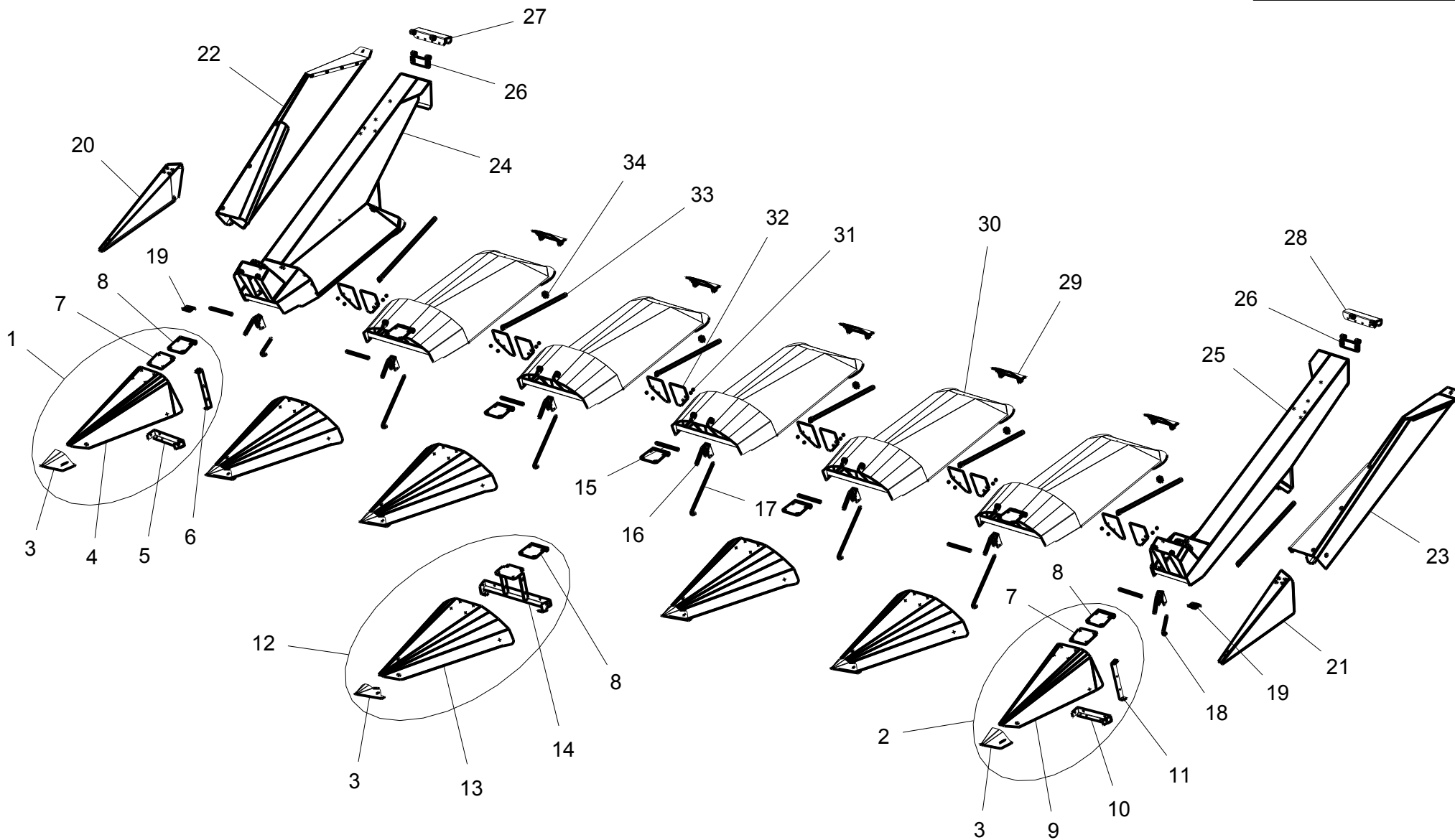


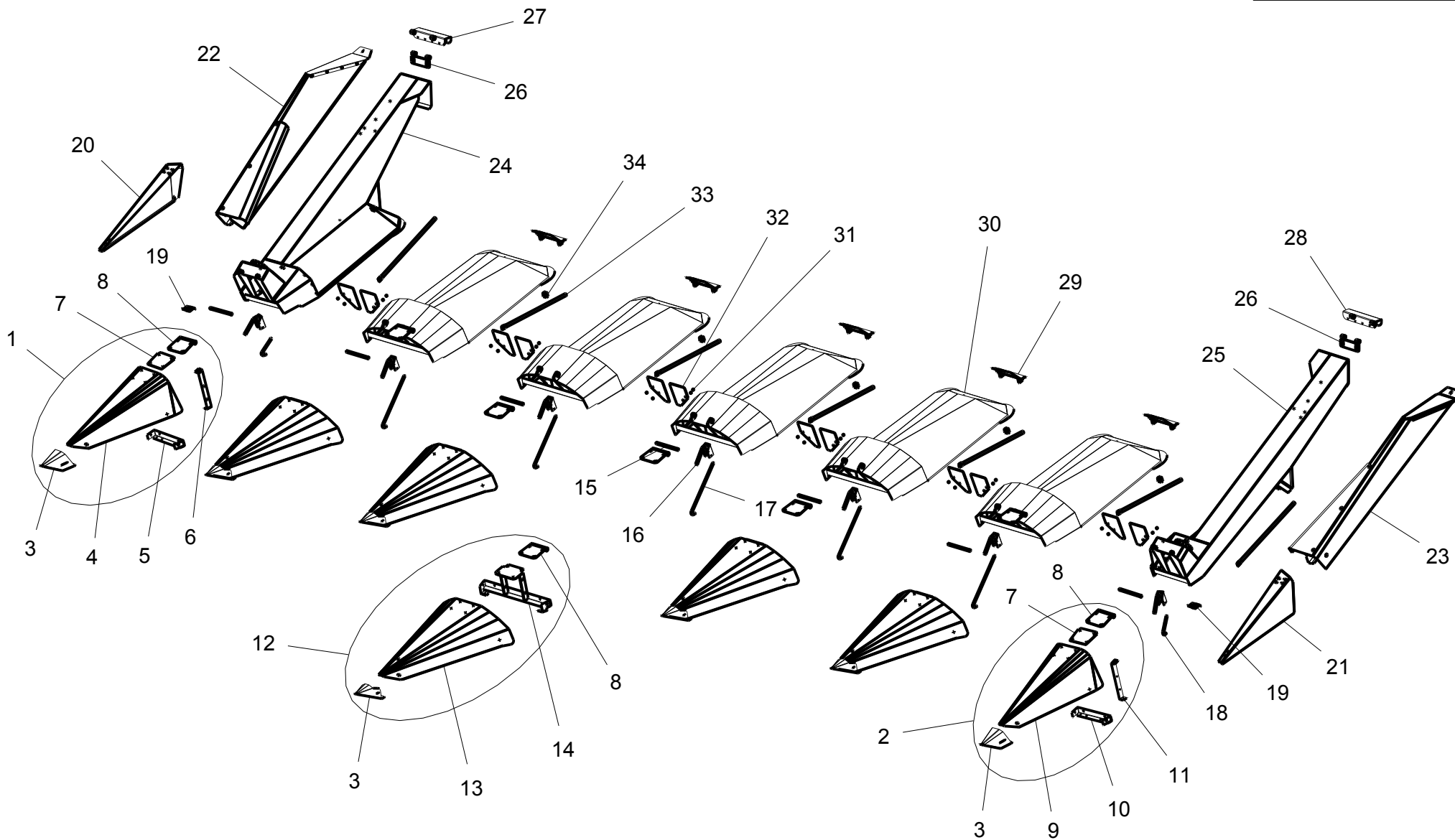


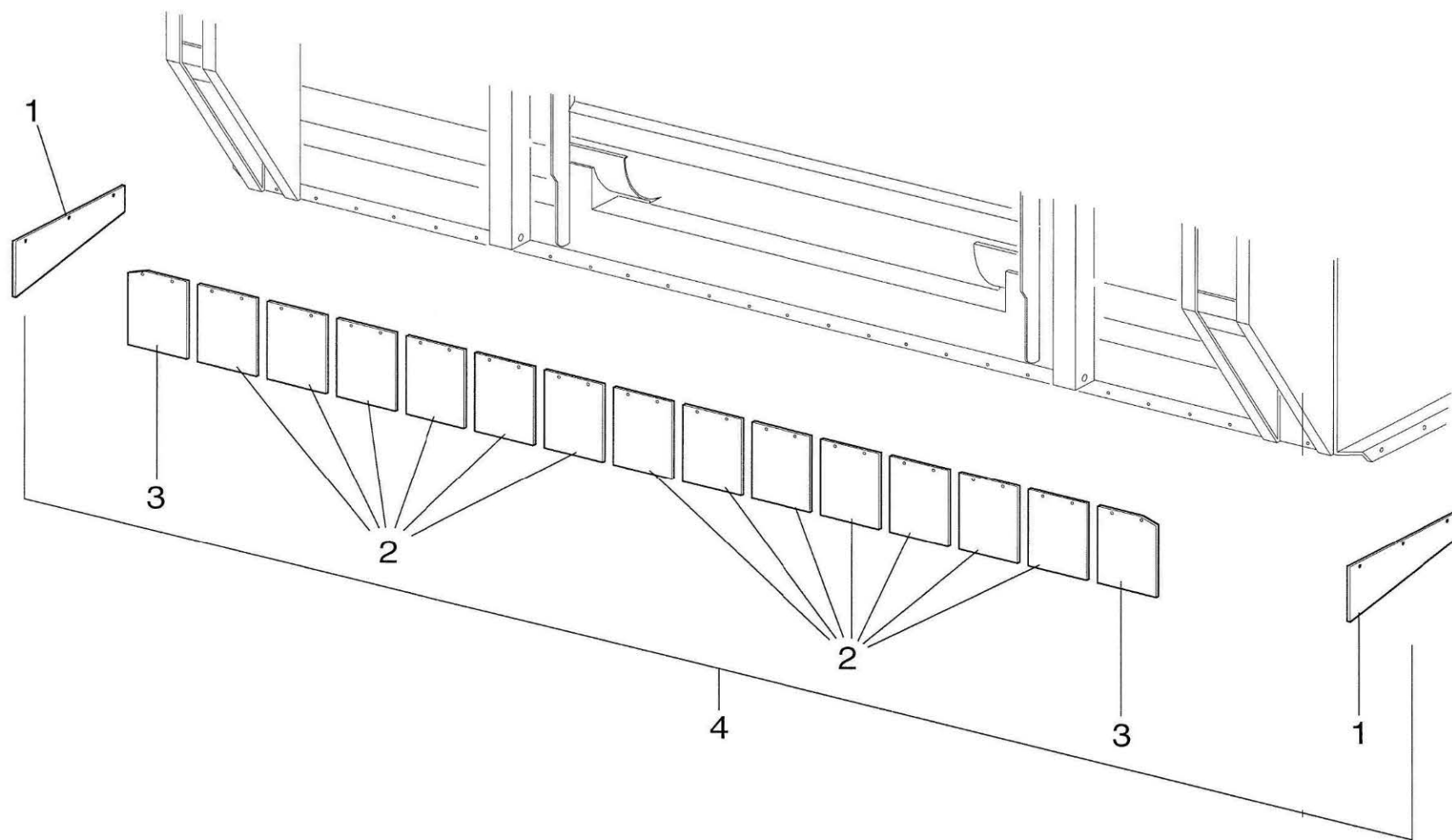




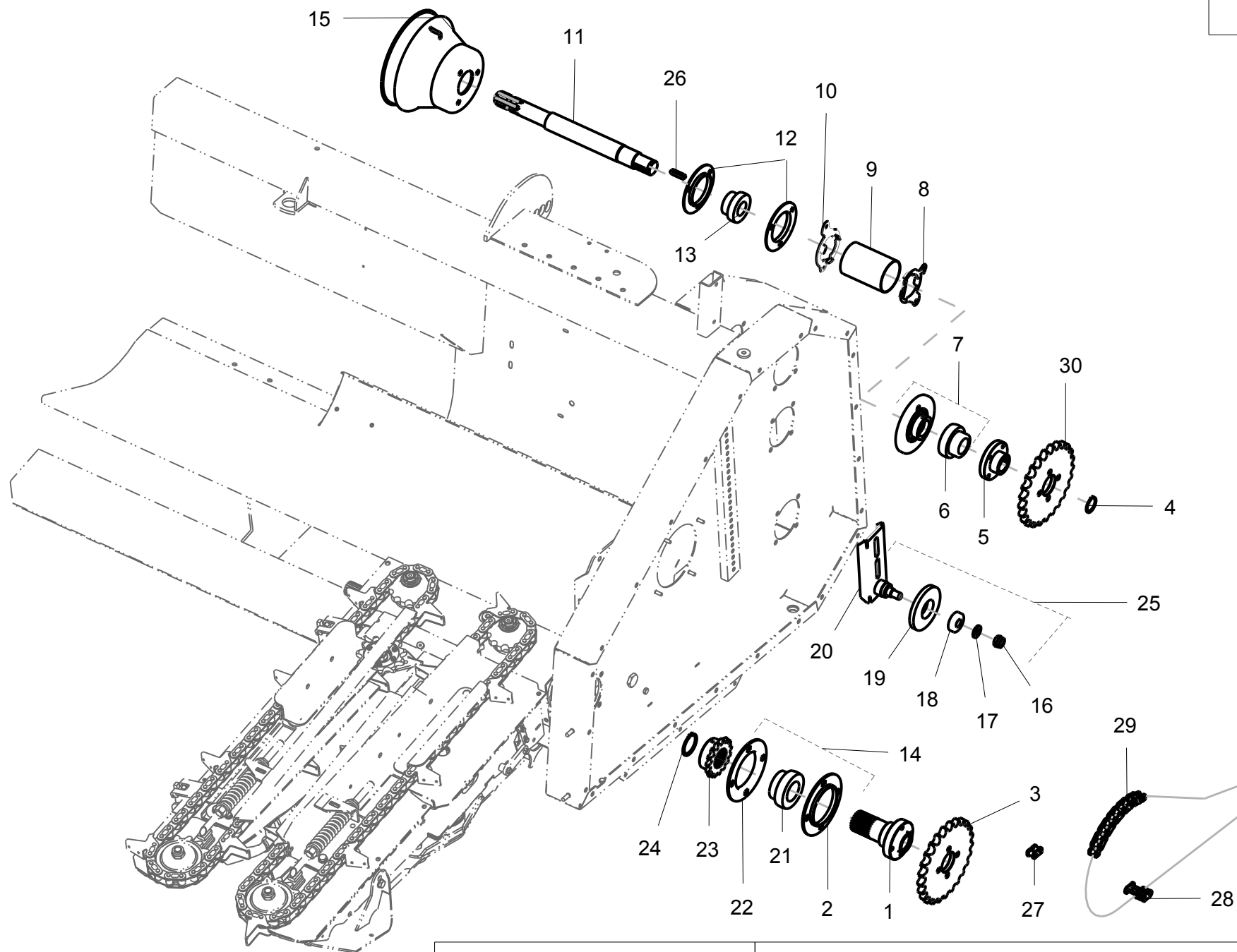
POS.	CODE	Q.TA'	DESCRIZIONE	DESCRIPTION	DESCRIPTION
1	466400049		PUNTE LATERALE DX	RH POINT	POINTE D
2	466400050		PUNTE LATERALE SX	LH POINT	POINTE G
3	476100059		SLITTA PUNTALE	SIDE	GLISSIERE
4	256002824		LAMIERA PUNTA DX	RH POINT	POINTE D
5	256002886		TRAVERSINO DX	RH BEAM	TRAVERSE D
6	263035779		PIATTO DX	RH PLATE	PLATEAU D
7	256030301		PIATTO RINFORZO	PLATE	PLATEAU
8	478000345		SUPPORTO CERNIERA PUNTA	SUPPORT	SUPPORT
9	256002824		LAMIERA PUNTA SX	LH POINT	POINTE G
10	256002885		TRAVERSINOSX	LH BEAM	TRAVERSE G
11	263035780		PIATTO SX	LH PLATE	PLATEAU G
12	466400038		PUNTE CEN. 70	POINT 70	POINTE 70
12	466400042		PUNTE CEN. 75	POINT 75	POINTE 75
12	466400074		PUNTE CEN. 80	POINT 80	POINTE 80
12	466400078		PUNTE CEN. 60	POINT 60	POINTE 60
13	466400042		LAMIERA PUNTA	POINT	POINTE
14	480000082		STAFFA FISSAGGIO PUNTA 60	BRACKET 60	ATTACHE 60
14	480000030		STAFFA FISSAGGIO PUNTA 70	BRACKET 70	ATTACHE 70
14	480000037		STAFFA FISSAGGIO PUNTA 75	BRACKET 75	ATTACHE 75
14	480000077		STAFFA FISSAGGIO PUNTA 80	BRACKET 80	ATTACHE 80
15	478000345		SUPPORTO	SUPPORT	SUPPORT
16	448500002		MANIGLIA	HANDLE	POIGNEE
17	251000012		GANCIO CEN.	HOOK	CROCHET
18	251000005		GANCIO LAT.	HOOK	CROCHET
19	284000022		STAFFA REGISTRO COFANO	BRACKET	ATTACCHE
20	256015235		CARTER DX	RH GUARD	PROTECTION D
21	256015236		CARTER SX	LH GUARD	PROTECTION G

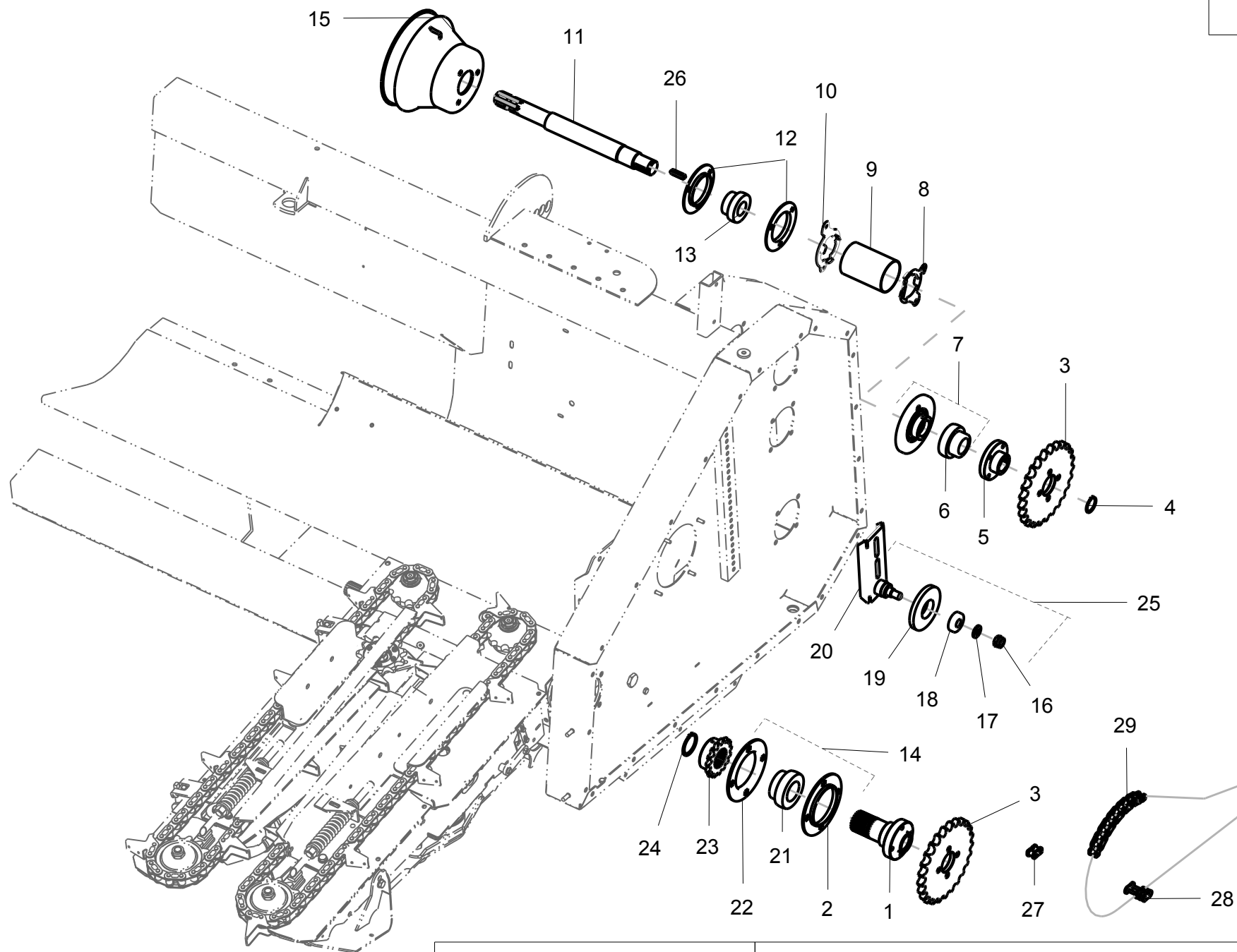




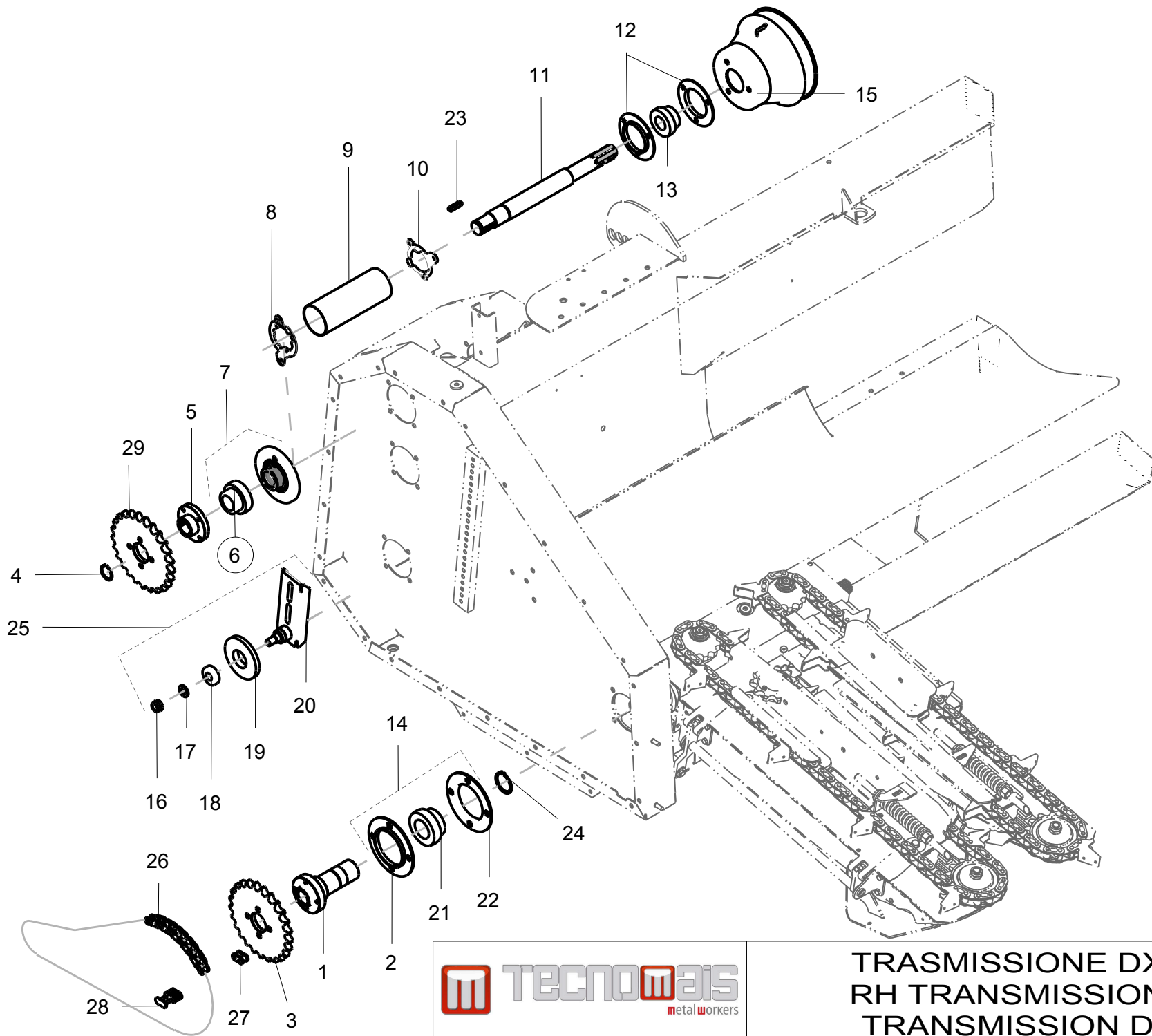


POS.	CODE	Q.TA'	DESCRIZIONE	DESCRIPTION	DESCRIPTION
1	449500058		MOZZO SX	LH HUB	MOYEU G
2	340050008		FLANGIA	FLANGE	BRIDE
3	236025072		CORONA	CROWN	COURONNE
3	236027113		CORONA	CROWN	COURONNE
4	302035003		ANELLO ELASTICO	RETAINIG RING	ARRETOIR
5	261035033		MOZZO	HUB	MOYEU
6	330040010		CUSCINETTO	GREASING NIPPLE	GRAISSEUR
7	330040032		SUPPORTO	SUPPORT	SUPPORT
8	287000204		SUPPORTO	SUPPORT	SUPPORT
9	248080481		TUBO L=111	PIPE L=111	TUYAU L=111
9	248080482		TUBO L=211	PIPE L=211	TUYAU L=211
9	248080483		TUBO L=396	PIPE L=396	TUYAU L=396
10	287000196		SUPPORTO	SUPPORT	SUPPORT
11	201042224		ALBERO 5F – 6F L=344	SHAFT 5R – 6R L=344	ARBRE 5R – 6R L=344
11	201042226		ALBERO 8F L=629	SHAFT 8R L=629	ARBRE 8R L=629
12	340035001		FLANGIA	FLANGE	BRIDE
13	330035008		CUSCINETTO	GREASING NIPPLE	GRAISSEUR
14	330050054		SUPPORTO	SUPPORT	SUPPORT
15	322000007		CONTROCUFFIA	COUNTER GUARD	CONTRE-PROTECTION
16	336016050		DADO	NUT	ECROU
17	375016023		RONDELLA	WASHER	RONDELLE
18	330020025		CUSCINETTO	GREASING NIPPLE	GRAISSEUR
19	236012095		CORONA	CROWN	COURONNE
20	478000586		SUPPORTO	SUPPORT	SUPPORT
21	330050053		CUSCINETTO	GREASING NIPPLE	GRAISSEUR
22	340050010		FLANGIA	FLANGE	BRIDE
23	265015094		PIGNONE	PINION	PIGNON

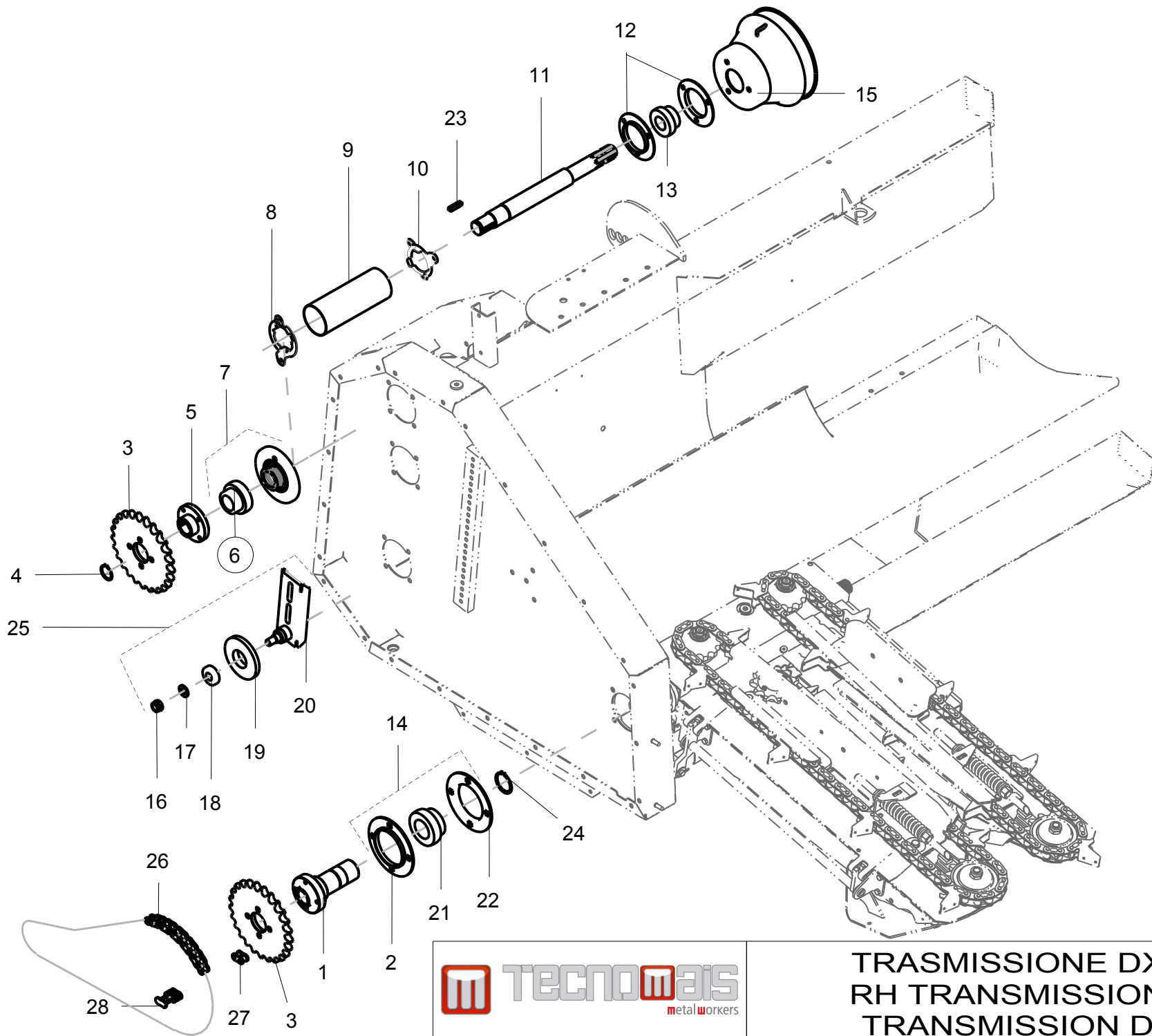




POS.	CODE	Q.TA'	DESCRIZIONE	DESCRIPTION	DESCRIPTION
1	449500057		MOZZO	HUB	MOYEU
2	340050008		FLANGIA	FLANGE	BRIDE
3	236025072		CORONA	CROWN	COURONNE
3	236027113		CORONA	CROWN	COURONNE
4	302035003		ANELLO ELASTICO	RETAINIG RING	ARRETOIR
5	261035033		MOZZO	HUB	MOYEU
6	330040010		CUSCINETTO	GREASING NIPPLE	GRAISSEUR
7	330040032		SUPPORTO	SUPPORT	SUPPORT
8	287000204		SUPPORTO	SUPPORT	SUPPORT
9	248080481		TUBO L=111	PIPE L=111	TUYAU L=111
9	248080482		TUBO L=211	PIPE L=211	TUYAU L=211
9	248080.83		TUBO L=396	PIPE L=396	TUYAU L=396
10	287000196		SUPPORTO	SUPPORT	SUPPORT
11	201042225		ALBERO 5F – 6F L=444	SHAFT 5R – 6R L=444	ARBRE 5R – 6R L=444
11	201042226		ALBERO 8F L=629	SHAFT 8R L=629	ARBRE 8R L=629
12	340035001		FLANGIA	FLANGE	BRIDE
13	330035008		CUSCINETTO	GREASING NIPPLE	GRAISSEUR
14	330050054		SUPPORTO	SUPPORT	SUPPORT
15	322000007		CONTROCUFFIA	COUNTER GUARD	CONTRE-PROTECTION
16	336016050		DADO	NUT	ECROU
17	375016023		RONDELLA	WASHER	RONDELLE
18	330020025		CUSCINETTO	GREASING NIPPLE	GRAISSEUR
19	236012095		CORONA	CROWN	COURONNE
20	478000586		SUPPORTO	SUPPORT	SUPPORT
21	330050053		CUSCINETTO	GREASING NIPPLE	GRAISSEUR
22	340050010		FLANGIA	FLANGE	BRIDE
23	325010012		CHIAVETTA	KEY	CLAVETTE

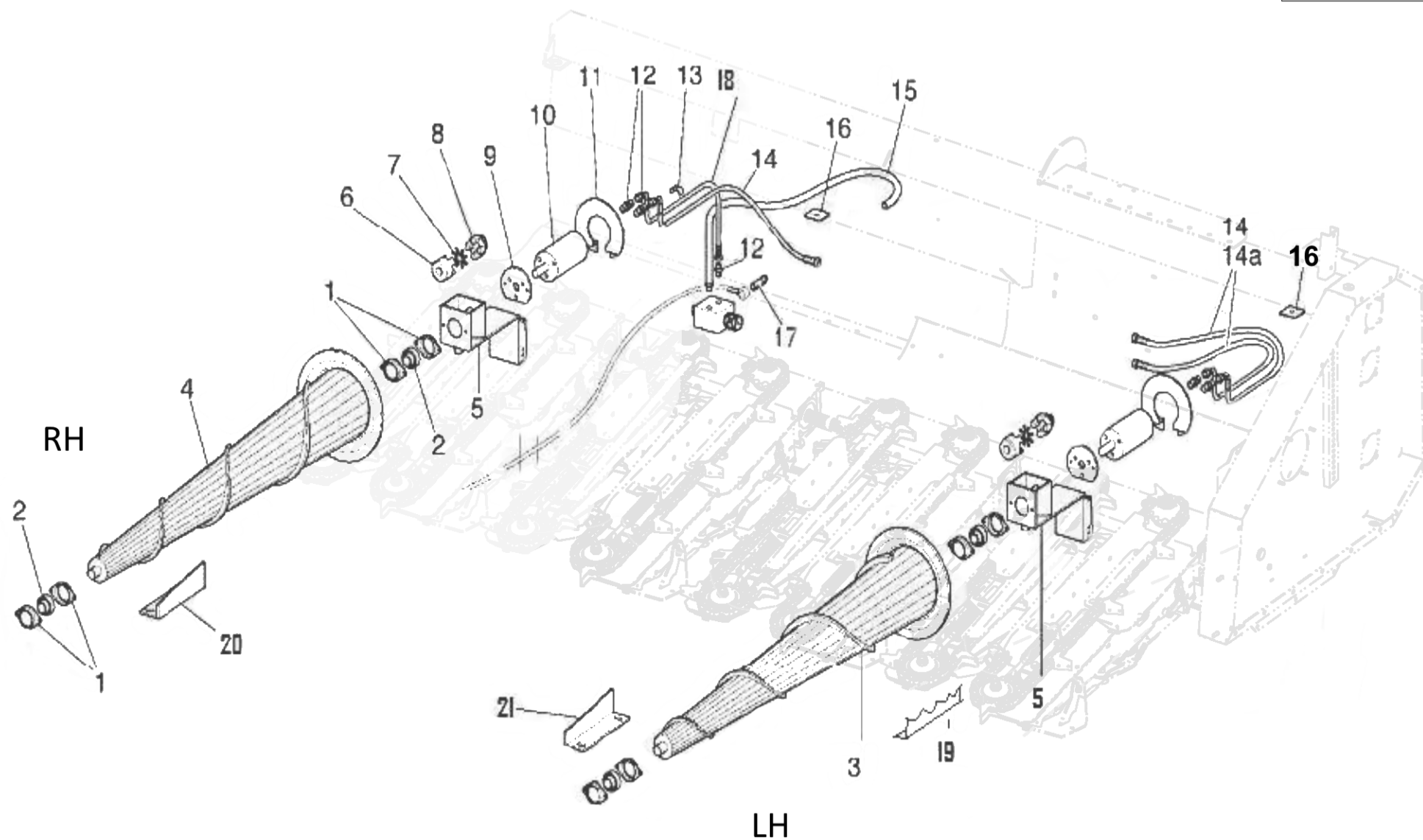


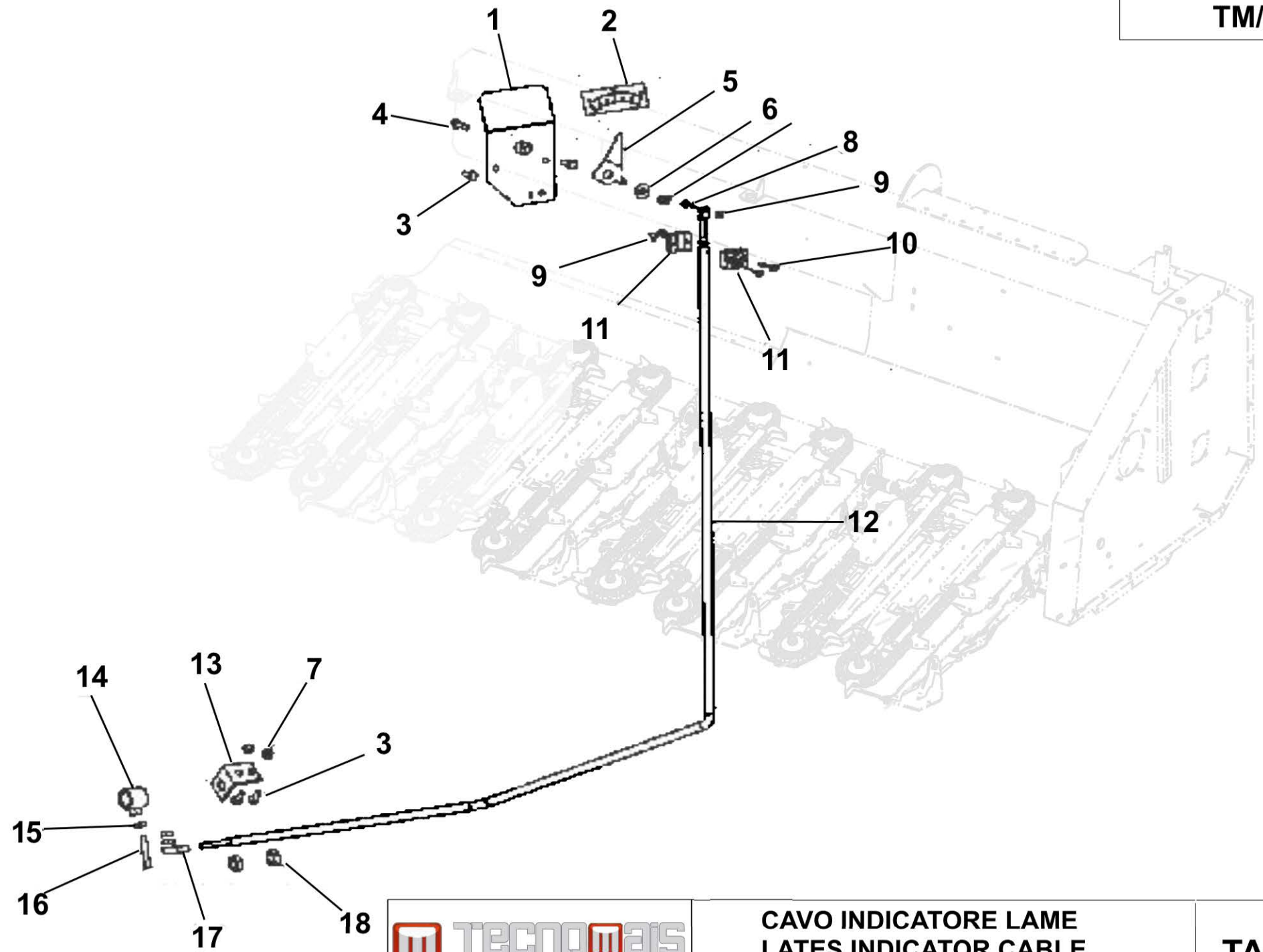
TRASMISSIONE DX
RH TRANSMISSION
TRANSMISSION D



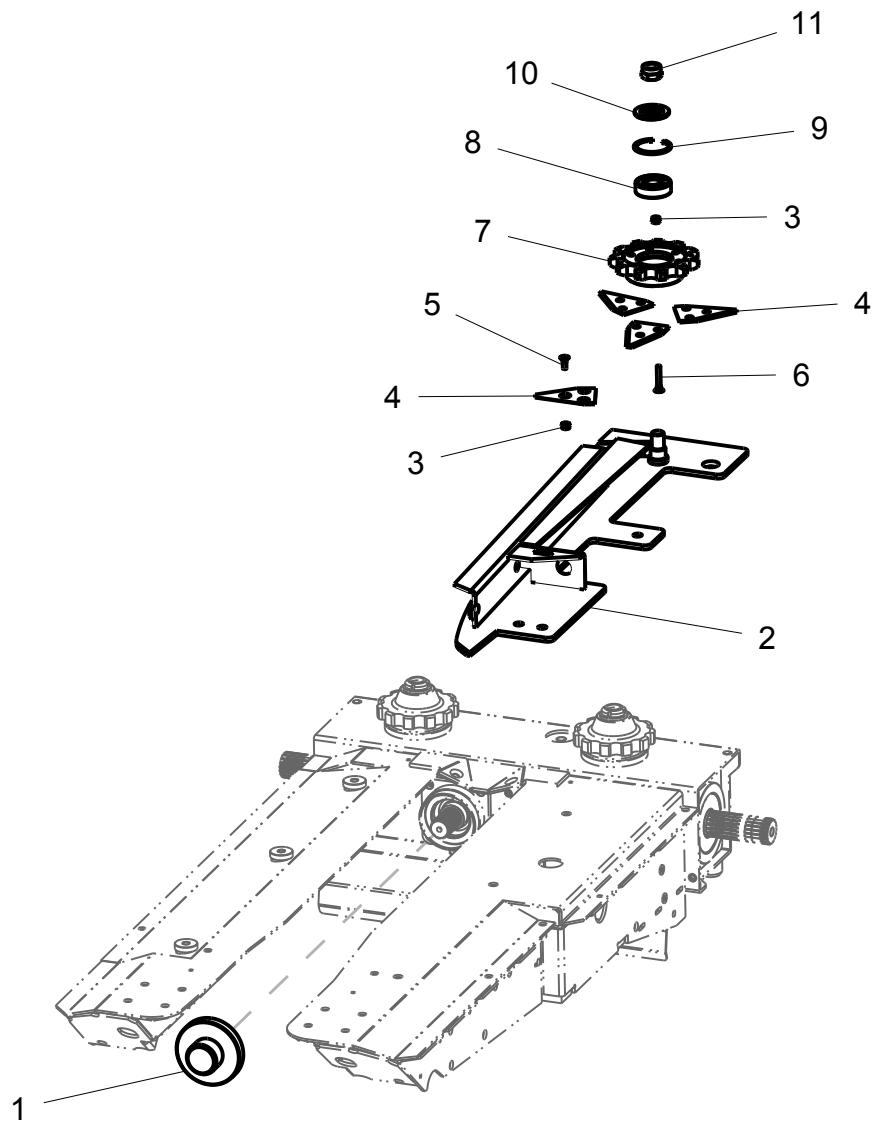
TRASMISSIONE DX
RH TRANSMISSION
TRANSMISSION D

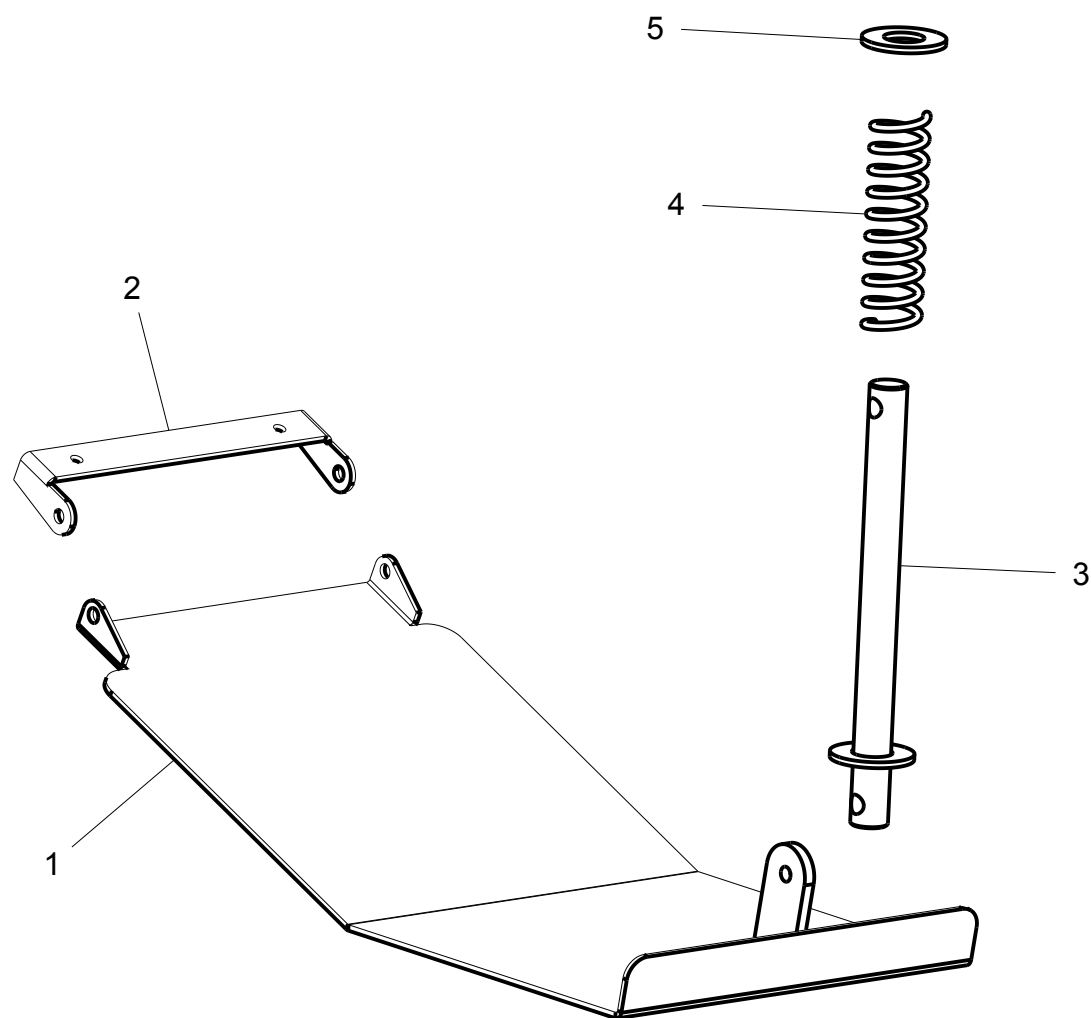
POS.	CODE	Q.TA'	DESCRIZIONE	DESCRIPTION	DESCRIPTION
1	340025004		FLANGIA PFL 205	FLANGE	FLASQUE PFL 205
2	330025019		CUSCINETTO GAY 25 NPPB	BEARING GAY 25 NPPB	ROULEMENT GAY 25 NPPB
3	412000117		COCLEA CONICA SINISTRA	LH LATERAL AUGER	VIS SANS FIN LATERALE GAUCHE
4	412000116		COCLEA CONICA DESTRA	RH LATERAL AUGER	VIS SANS FIN LATERALE DROITE
5	478000046		SUPPORTO COCLEA LATERALE	LATERAL AUGER SUPPORT	SUPPORT VIS SANS FIN LATERALE
6	279025001		SEMIGIUNTO D.25	HALF JOINT	DEMI-JOINT D.25
7	372000001		PARASTRAPPI	OVERLOAD CLUTCH	ACCOUPLMENT DE SURC
8	279016002		SEMIGIUNTO D.16	HALF JOINT	DEMI-JOINT D.25
9	247000003		FLANGIA MOTORE	FLANGE	FLASQUE MOTEUR
10	360000001		MOTORE OMM 32	MOTOR	MOTEUR
11	256020576		PROTEZIONE COCLEA CONICA	AUGER PROTECTION	PROTECTION VIS SANS FIN
12	370038001		NIPLES MM 3/8	NIPPLES MM 3/8	NIPPLES MM 3/8
13	327000001		FISSATUBO	TUBE FIXING	ARRET TUYAU
14	293000185		TUBO R1 3/8 LG 2200	PIPE R1 3/8 LG 2200	TUYAU R1 3/8 LG 2200
15	293000220		TUBO R6 1/2 LG 340	PIPE R6 1/2 LG 340	TUYAU R6 1/2 LG 340
16	262000043		FISSATUBO	TUBE FIXING	ARRET TUYAU
17	370038002		VITE FORATA 3/8	SCREW	VIS 3/8
18	293000164		TUBO R1 3/8 LG 2450	PIPE R1 3/8 LG 2450	TUYAU R1 3/8 LG 2450
19	274000066		RASCHIATORE	SCRAPER	RACLEUR
20	256001909		RASCHIATORE SINISTRO	LH SCRAPER	RACLEUR GAUCHE
21	256001908		RASCHIATORE DESTRO	RH SCRAPER	RACLEUR DROIT
19	244055001		BLOCCHETTO CON VALVOLA	SUB BASE	ANCRAGE AVEC SOUPAPE
20	341000001		FILTRO OLIO	OIL FILTER	FILTRE HUILE

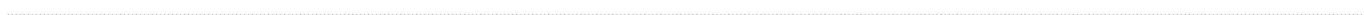




CAVO INDICATORE LAME
LATES INDICATOR CABLE
CAVE INDICATEUR PLAQUES

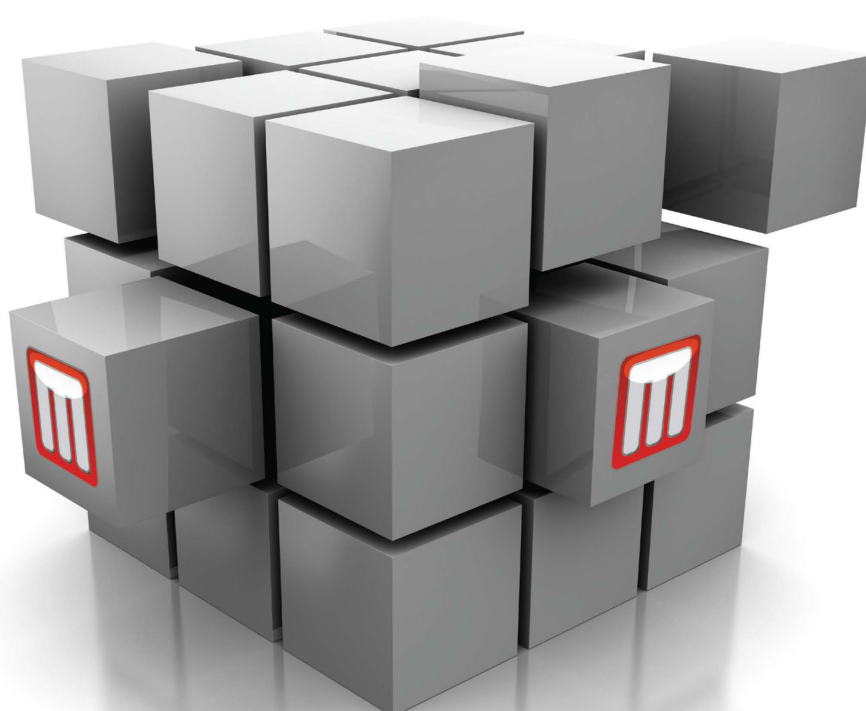






TECNOMAIS

metalworkers



TECNOMAIS s.r.l.
46040 Ceresara MN - Via Piubega, 28
T +39 0376 87556 - F +39 0376 87027
www.tecnomais.it